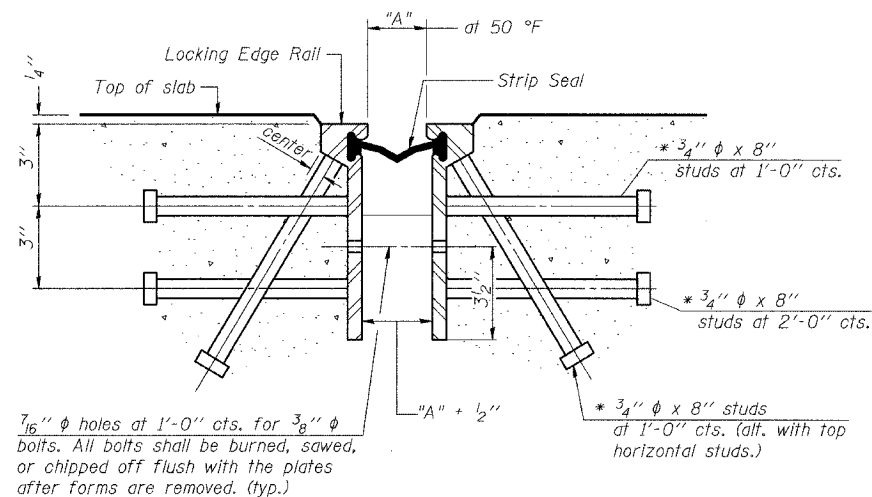


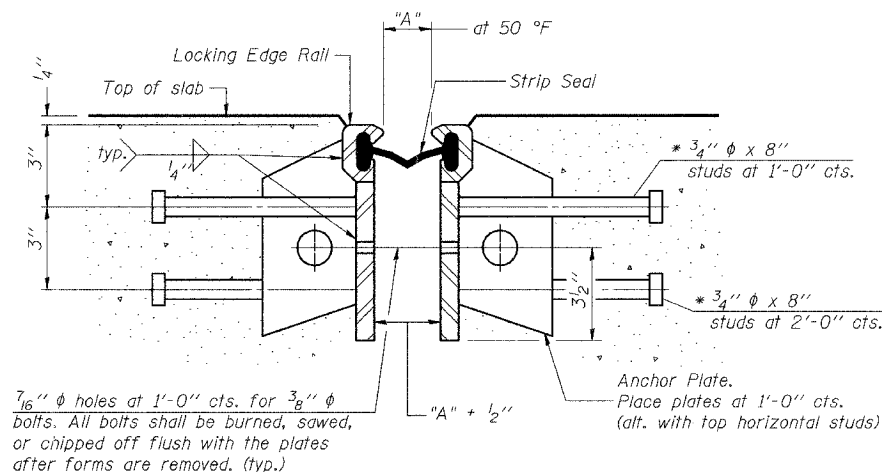
F.A. RTE.	SECTION	COUNTY	TOTAL SHEETS	SHEET NO.
	00-00094-03-BR	COOK	69	56
STA.		TO STA.		
FED. ROAD DIST. NO. 1		ILLINOIS	FED. AID PROJECT	
Sheet SB-14 of SB-22		CONTRACT 83850		



SECTION THRU ROLLED RAIL EXP. JOINT
(178 Studs Required)

Required Strip Seal rated movement "A"	
1"	1 1/8"
2"	1 3/4"

* Granular or solid flux filled headed studs conforming to Article 1006.32 of the Std. Specs., automatically end welded.



SECTION THRU WELDED RAIL EXP. JOINT
(118 Anchor Plates Required)

GENERAL NOTES

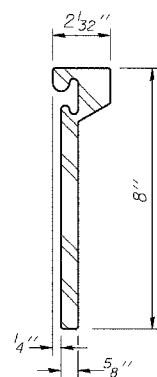
The strip seal shall be made continuous and shall have a minimum thickness of 1/4". The configuration of the strip seal shall match the configuration of the Locking Edge Rails.

The height and thickness of the Locking Edge Rails shown are minimum dimensions. The actual configuration of the Locking Edge Rails and matching strip seal may vary from manufacturer to manufacturer. Flanged edge rails will not be allowed.

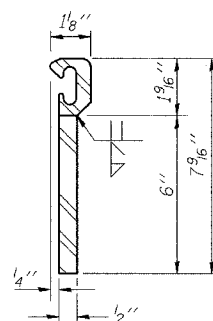
Locking Edge Rails may be spliced at slope discontinuities and stage construction joints.

The manufacturer's recommended installation methods shall be followed.

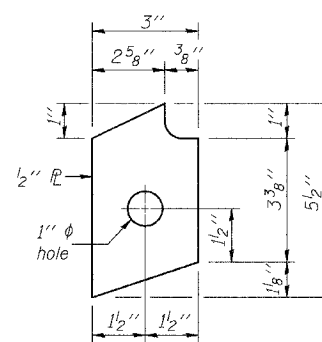
The joint opening and deck dimensions detailed on the superstructure are based on a preformed joint seal. If the contractor elects to use the alternate strip seal joint, the opening and deck dimensions shall be modified according to the dimensions detailed on this sheet. Required modifications shall be made at no additional cost to the State.



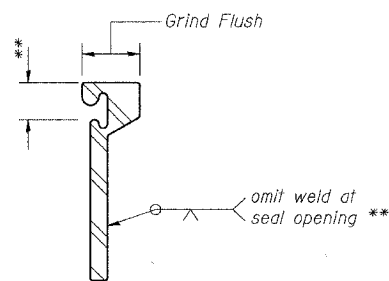
ROLLED (EXTRUDED) RAIL



WELDED RAIL



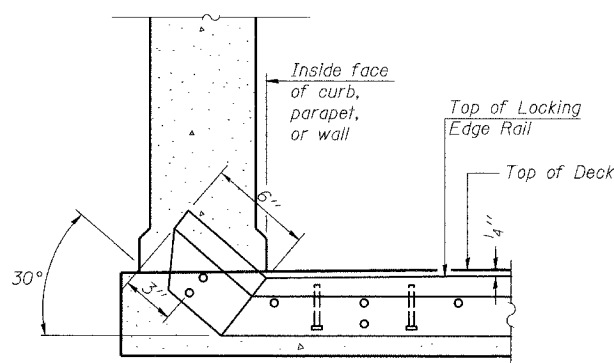
ANCHOR PLATE
(for welded rail)



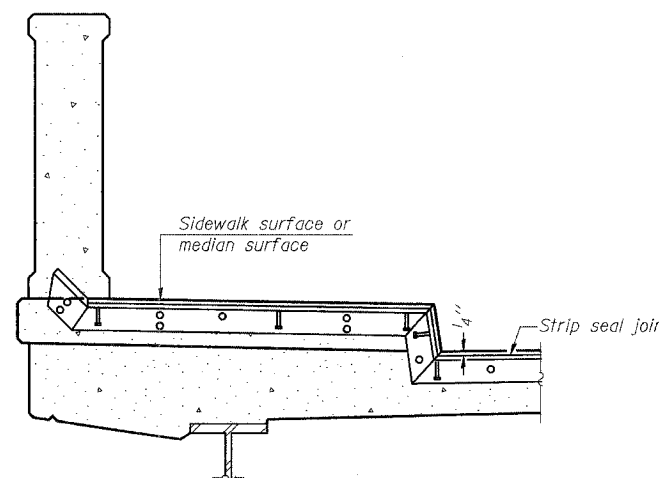
LOCKING EDGE RAIL SPLICE

The inside of the locking edge rail groove shall be free of weld residue.

LOCKING EDGE RAILS



AT CURB, PARAPET, OR WALL



AT SIDEWALK OR MEDIAN*

TYPICAL END TREATMENTS

* Shorter plates with a single row of studs at 12" centers may be necessary on medians which are shallower than 9". See manufacturer's recommendation.

(Sheet 2 of 2)
BRIDGE JOINT SYSTEM - EXPANSION
(ALTERNATE - STRIP SEAL)

CC Ciorba Group, Inc.
CONSULTING ENGINEERS
1007 NORTH CUMBERLAND AVENUE - CHICAGO, ILLINOIS 60610 - (773) 775-4000

REVISIONS	
NAME	DATE

VILLAGE OF WINNETKA, ILLINOIS
BRIDGE JOINT SYSTEM-EXPANSION (ALTERNATE)
ELDORADO STREET OVER THE UNION PACIFIC R.R.
R.R. MILE POST 17.26 KENOSHA SUBDIVISION
COOK COUNTY STA. 201+07.21
STRUCTURE NO. 016-8260

SCALE: NONE
DATE: JUNE 2006
FILE: 3278

DRAWN BY: RCD
DESIGN BY: BWS
CHECKED BY: SCD

DATE: 7/20/2006
FILENAME: N:\PROJ\9278\Eldorado\Structural\Eldorado_9278\CAD\Final_revised\9278-eld-ijse02.dgn

EJ-BJS 9-01-03