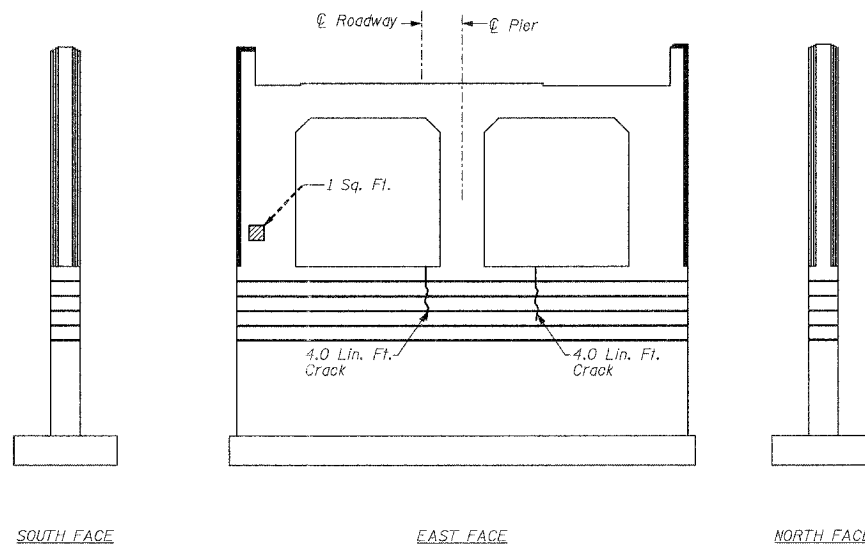


SOUTH FACE

EAST FACE

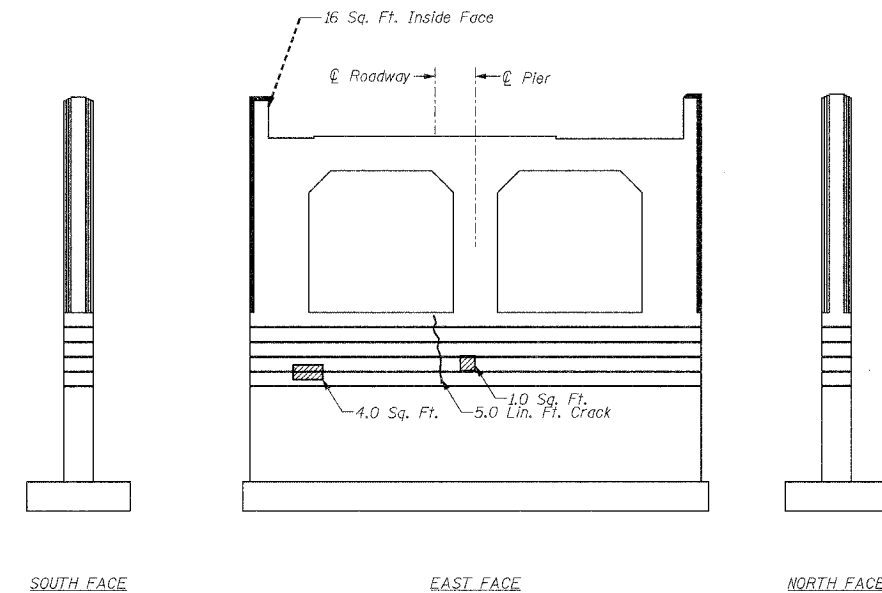
NORTH FACE



SOUTH FACE

EAST FACE

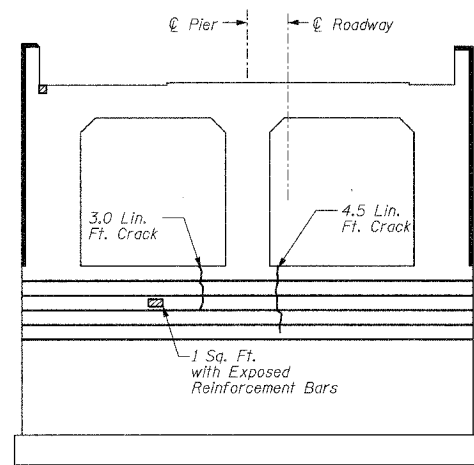
NORTH FACE



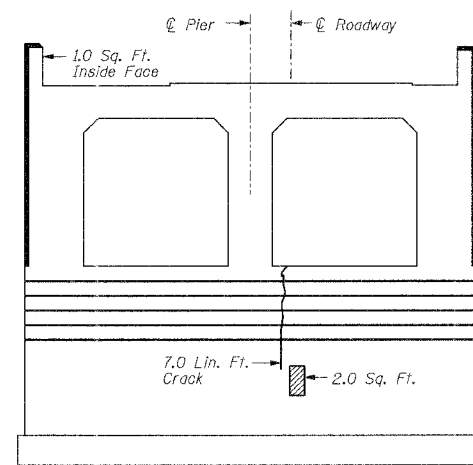
SOUTH FACE

EAST FACE

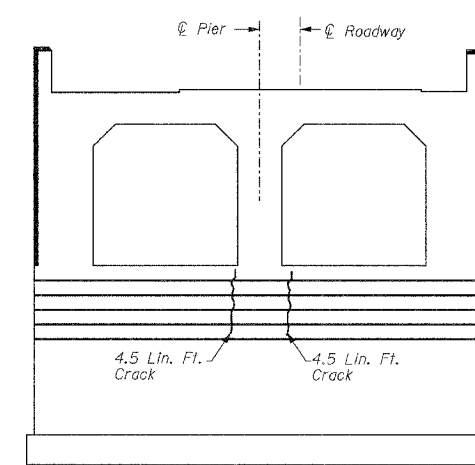
NORTH FACE



WEST FACE
WEST PIER



WEST FACE
CENTER PIER



WEST FACE
EAST PIER

Notes:
Repair of the existing piers shall include but not be limited to the areas shown. The actual areas to be repaired will be determined by the engineer at the time of construction.

LEGEND
 Formed Concrete Repair (Depth < 5")
 Epoxy Crack Sealing

BILL OF MATERIALS

Formed Concrete Repair < 5"	Sq. Ft.	35
Epoxy Crack Sealing	Ft.	40

REVISIONS	
NAME	DATE

Giorba Group, Inc.
CONSULTING ENGINEERS
3507 NORTH CUMBERLAND AVENUE :: CHICAGO, ILLINOIS 60656 :: (773) 775-4009

VILLAGE OF WINNETKA, ILLINOIS
PIER REPAIRS
ELDORADO STREET OVER THE UNION PACIFIC R.R.
R.R. MILE POST 17.26 KENOSHA SUBDIVISION
COOK COUNTY STA. 201+07.21
STRUCTURE NO. 016-8260

SCALE: NONE
DATE: MARCH 2006
FILE: 3278

DRAWN BY: RCD
DESIGN BY: BWS
CHECKED BY: SCD