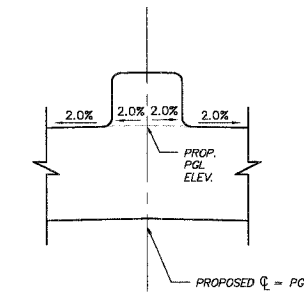
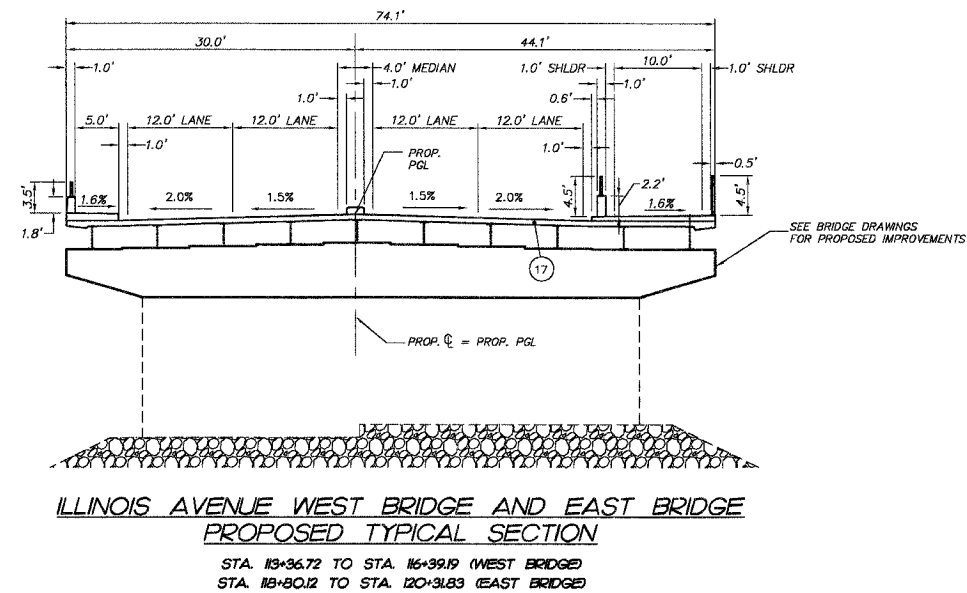
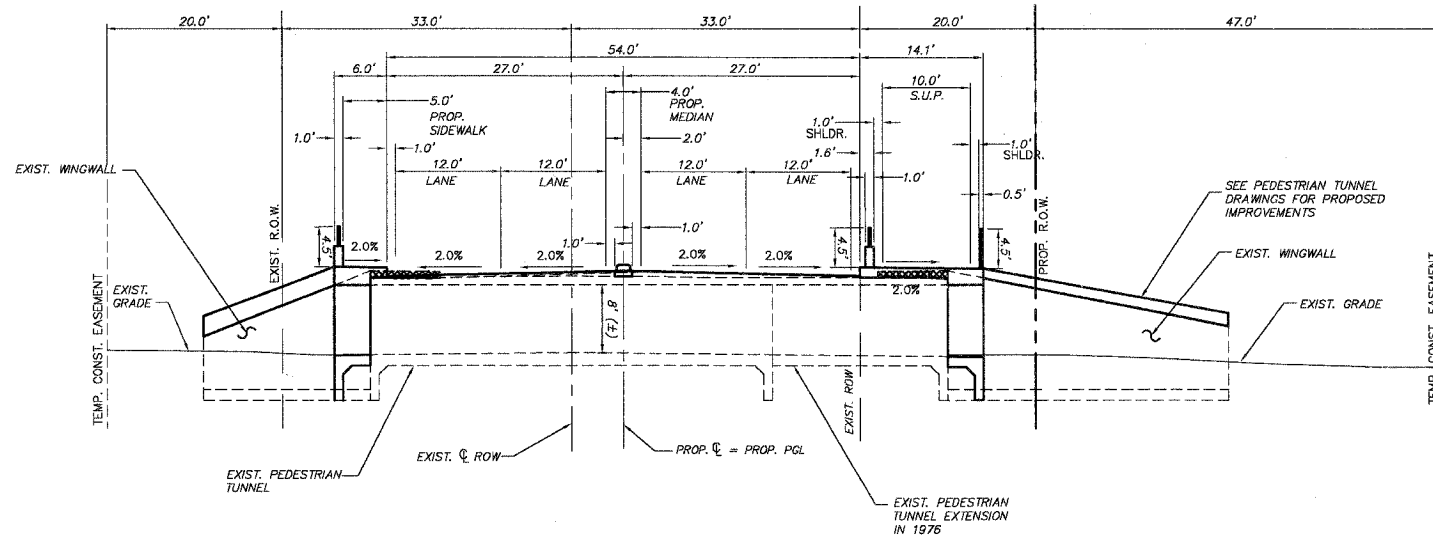


F.A.P. RTE.	SECTION	COUNTY	TOTAL SHEETS	SHEET NO.
1517	03-00247-00-BR	KANE	121	7
STA.	TO STA.			
FED. ROAD DIST. NO. 1		ILLINOIS HIGHWAY PROJECT		
CONTRACT # 83867				

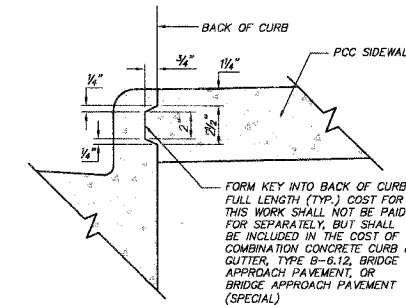
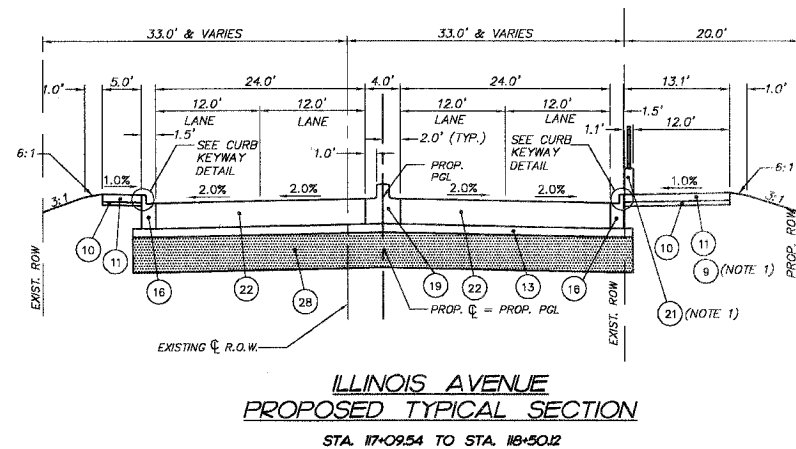


- LEGEND**
- 1 EXISTING PAVEMENT (2 1/2" - 6" BITUMINOUS SURFACE WITH 8"-11" CONCRETE BASE COURSE)
 - 2 EXISTING PCC SIDEWALK
 - 3 EXISTING CONCRETE CURB AND GUTTER
 - 4 EXISTING ABANDONED 10-DUCT ELECTRICAL PACKAGE (5" DIA. PVC)
 - 5 EXISTING 8" GAS MAIN (TO BE RELOCATED BY OTHERS)
 - 6 EXISTING ABANDONED 12" WATER MAIN
 - 7 PROPOSED BITUMINOUS CONCRETE SURFACE COURSE, SUPERPAVE, MIX D, N70, 1.5"
 - 8 PROPOSED BITUMINOUS CONCRETE BINDER COURSE, SUPERPAVE, IL-19, N70, 2.5"
 - 9 PROPOSED PORTLAND CEMENT CONCRETE SIDEWALK 5" (SPECIAL) (SEE PCC SIDEWALK 5" (SPECIAL) AND CONCRETE BARRIER (SPECIAL) DETAIL SHEET)
 - 10 PROPOSED AGGREGATE BASE 4" (CA-6 CRUSHED) (INCLUDED IN COST OF PCC SIDEWALK)
 - 11 PROPOSED PORTLAND CEMENT CONCRETE SIDEWALK 5"
 - 12 PROPOSED BITUMINOUS BASE COURSE, SUPERPAVE, 8"
 - 13 PROPOSED SUB-BASE GRANULAR MATERIAL, TYPE B, 4"
 - 14 PROPOSED TOPSOIL FURNISH AND PLACE, 6" & SODDING, SALT TOLERANT
 - 15 PROPOSED POROUS GRANULAR EMBANKMENT, SUBGRADE (12" DEPTH, SEE NOTE BELOW)
 - 16 PROPOSED COMBINATION CONCRETE CURB AND GUTTER, TYPE B-6.12 (MINIMUM THICKNESS OF GUTTER FLAG SHALL BE 9". ADDITIONAL AGGREGATE UNDER GUTTER FLAG SHALL BE INCLUDED IN THE COST OF COMBINATION CONCRETE CURB & GUTTER TYPE B-6.12)
 - 17 PROPOSED CONCRETE SUPERSTRUCTURE (CLASS BD CONCRETE) SEE BRIDGE PLANS
 - 18 BITUMINOUS SURFACE REMOVAL, 1 1/2"
 - 19 PROPOSED CONCRETE MEDIAN, TYPE SB-9.12
 - 20 PAVEMENT REMOVAL
 - 21 PROPOSED CONCRETE BARRIER (SPECIAL) (SEE PCC SIDEWALK 5" (SPECIAL) AND CONCRETE BARRIER (SPECIAL) DETAIL SHEET)
 - 22 PROPOSED PORTLAND CEMENT CONCRETE PAVEMENT, 10" (JOINTED)
 - 23 PROPOSED BRIDGE APPROACH PAVEMENT
 - 24 PROPOSED BRIDGE APPROACH PAVEMENT (SPECIAL)
 - 25 BITUMINOUS CONCRETE REMOVAL (DECK)
 - 26 PROPOSED STRIP REFLECTIVE CRACK CONTROL TREATMENT
 - 27 PROPOSED LEVELING BINDER (MACHINE METHOD) SUPERPAVE N70 (THICKNESS VARIES 3/4" TO 2 1/4")
 - 28 PROPOSED POROUS GRANULAR EMBANKMENT, SUBGRADE (12" DEPTH-SEE NOTE BELOW)



"POROUS GRANULAR EMBANKMENT, SUBGRADE (PGES) AND GEOTECHNICAL FABRIC FOR GROUND STABILIZATION HAS BEEN PROVIDED FOR USE AT THE LOCATIONS INDICATED FOR SOILS THAT TEND TO BE UNSUITABLE OR UNSTABLE. THE ACTUAL NEED FOR REMOVAL AND REPLACEMENT WITH PGES OVER GEOTECHNICAL FABRIC FOR GROUND STABILIZATION WILL BE DETERMINED IN THE FIELD AT THE TIME OF CONSTRUCTION BY THE GEOTECHNICAL ENGINEER. ALL POTENTIALLY UNSTABLE SOILS SHOULD BE TESTED WITH STATIC CONE PENETROMETER AND TREATED IN ACCORDANCE WITH ARTICLE 301.03 AND THE UNDERCUT GUIDELINES IN THE IDOT SUBGRADE STABILITY MANUAL. IF UNSUITABLE AND/OR UNSTABLE MATERIAL IS NOT ENCOUNTERED, THEN THE QUANTITY SHALL BE DEDUCTED AND NO COMPENSATION WILL BE DUE THE CONTRACTOR."

ALL RECOMMENDED UNDERCUTS ARE FROM 6" OUTSIDE THE EDGES OF CURB AND GUTTER. DEPTHS WILL BE DETERMINED BY A LICENSED SOILS ENGINEER. LIMITS ARE FROM STA 109+02 TO 113+36.72, 116+39.19 TO 118+80.12, AND 120+31.83 TO 123+05.



- NOTES**
1. STA. 117+09.54 TO STA. 117+92 ONLY

REVISIONS	
NAME	DATE
7.	
6.	
5.	
4.	
3.	
2.	
1.	KMA 09-13-2006

SMITH ENGINEERING CONSULTANTS, INC.
 CIVIL/STRUCTURAL ENGINEERS AND SURVEYORS
 4600 PRIME PARKWAY, SUITE 201
 MCHENRY, ILLINOIS 60050
 PH: 815-385-1772 FAX: 815-385-1781
 www.smithengineering.com E-MAIL: seo@smithengineering.com
 #MCHENRY #MONTGOMERY #YORKVILLE
 ILLINOIS PROFESSIONAL DESIGN FIRM # 184-000108

ILLINOIS DEPARTMENT OF TRANSPORTATION

CITY OF AURORA
 ILLINOIS AVENUE OVER THE FOX RIVER
 PROPOSED BRIDGE
 TYPICAL SECTIONS

SCALE: "NTS" DRAWN BY: WJH
 DATE: 07-28-2006 CHECKED BY: TEH