

ELEVATION
Looking East

LEGEND

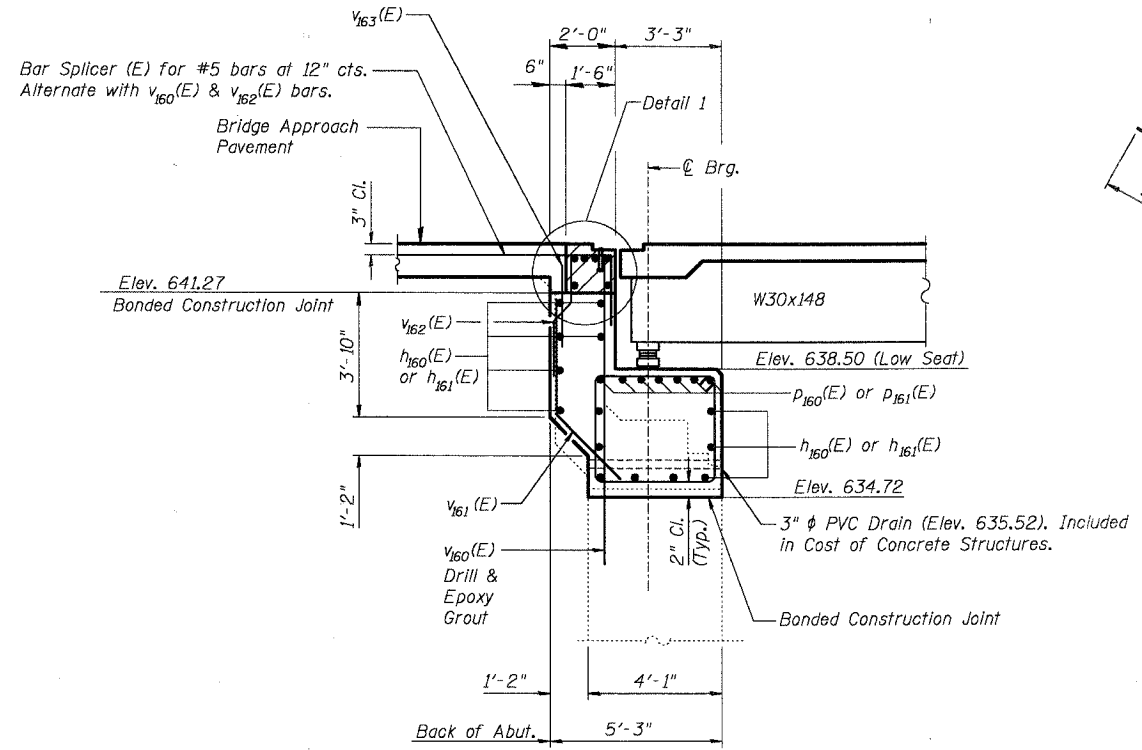
Indicates Concrete Removal Areas

Indicates Epoxy Crack Sealing

Indicates Structural Repair of Concrete

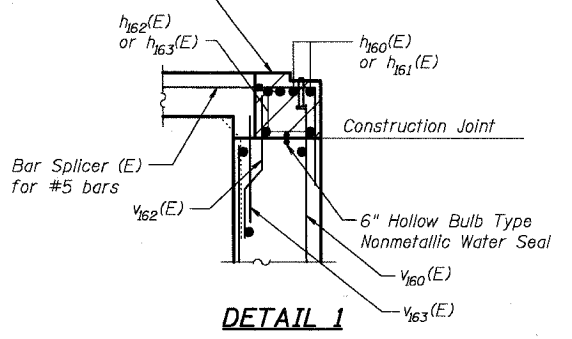
BILL OF MATERIAL
EAST ABUTMENT

Bar	No.	Size	Length	Shape
d ₁₀₁ (E)	6	#6	3'-9"	
ϕ ₁₀₆ (E)	6	#4	1'-8"	
h ₁₆₀ (E)	16	#5	38'-10"	
h ₁₆₁ (E)	16	#5	34'-8"	
h ₁₆₂ (E)	4	#6	38'-10"	
h ₁₆₃ (E)	4	#6	34'-8"	
h ₁₆₄ (E)	16	#5	8'-9"	
h ₁₆₅ (E)	16	#5	9'-0"	
h ₁₆₆ (E)	3	#5	13'-9"	
h ₁₆₇ (E)	3	#5	5'-8"	
h ₁₆₈ (E)	4	#5	16'-10"	
h ₁₆₉ (E)	4	#5	20'-3"	
h ₁₇₀ (E)	3	#5	1'-2"	
h ₁₇₁ (E)	3	#5	1'-8"	
p ₁₆₀ (E)	7	#7	38'-10"	
p ₁₆₁ (E)	7	#7	34'-8"	
s ₁₆₀ (E)	75	#5	15'-3"	
u ₁₆₀ (E)	8	#5	7'-11"	
v ₁₆₀ (E)	75	#5	8'-4"	
v ₁₆₁ (E)	75	#5	6'-8"	
v ₁₆₂ (E)	54	#5	2'-6"	
v ₁₆₃ (E)	54	#5	2'-4"	
v ₁₆₄ (E)	54	#4	5'-7"	
v ₁₆₅ (E)	22	#5	9'-8"	
v ₁₆₆ (E)	28	#5	8'-3"	
v ₁₆₇ (E)	6	#5	2'-10"	
Reinforcement Bars, Epoxy Coated	Pound		6,670	
Concrete Removal	Cu. Yd.		41.2	
Concrete Structures	Cu. Yd.		74.0	
Structure Excavation	Cu. Yd.		53	
Bridge Seat Sealer	Sq. Ft.		241	
Epoxy Crack Sealing	Foot		11	
Structural Repair of Concrete (Less than or equal to 5")	Sq. Ft.		11	
Bicycle Railing, Special	Foot		11	

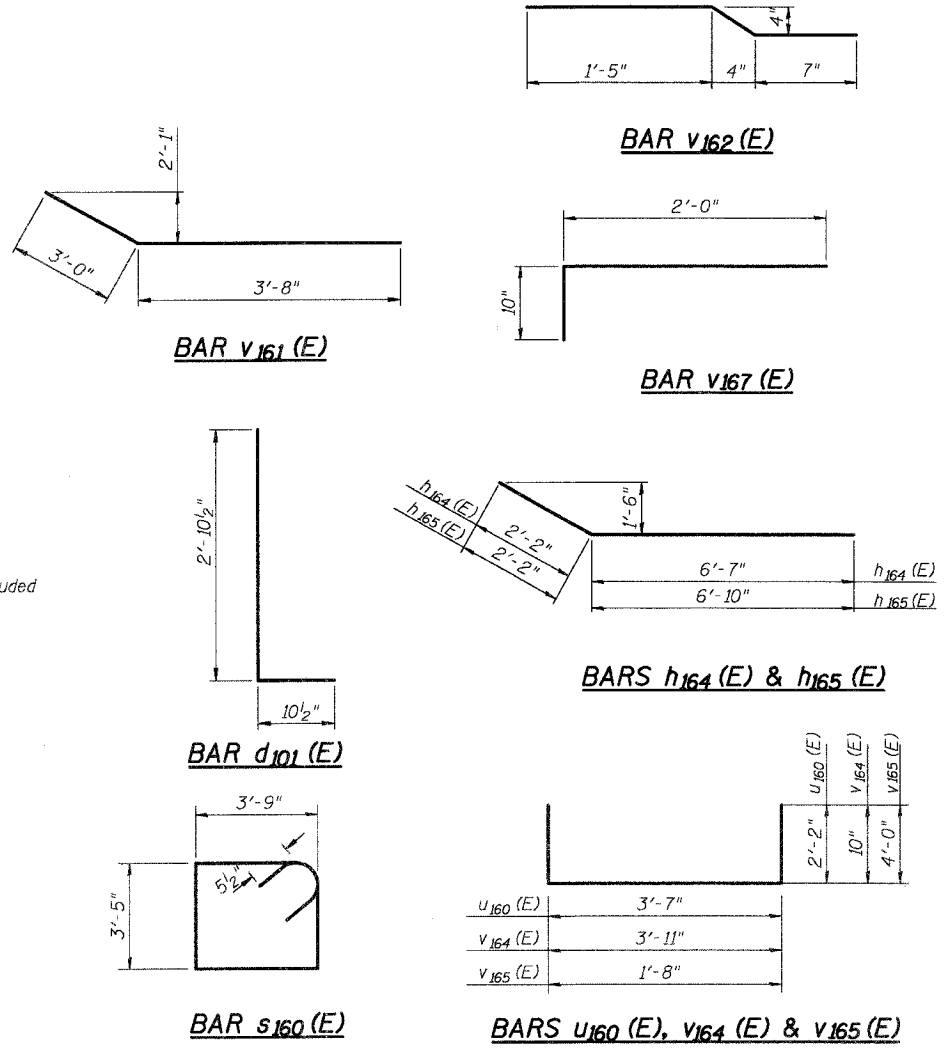


SECTION A-A

Hatched area to be poured after superstructure falsework has been removed. Quantity of concrete included with Concrete Superstructure.



DETAIL 1



DESIGNED	AEU
CHECKED	RGD
DRAWN	WJH
CHECKED	NRF

NOTES:
Reinforcement bars designated (E) shall be epoxy coated.
Work this sheet with sheet SW-26.
See Sheet SW-2 for abutment drainage detail.

REVISIONS	
NAME	DATE

SMITH ENGINEERING CONSULTANTS, INC.
CITY OF AURORA
EAST ABUTMENT DETAILS
ILLINOIS AVENUE
OVER THE FOX RIVER
SECTION NO. 03-00247-00-BR
KANE COUNTY
STRUCTURE NO. 045-6009
DATE 7-28-2006