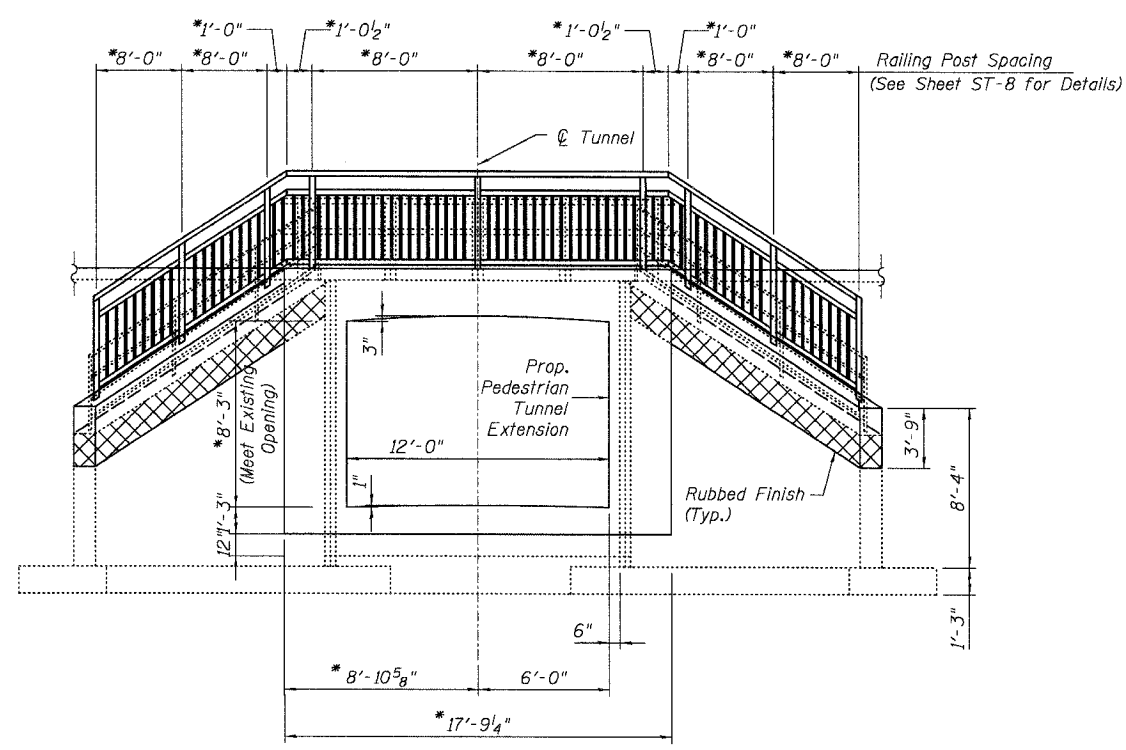


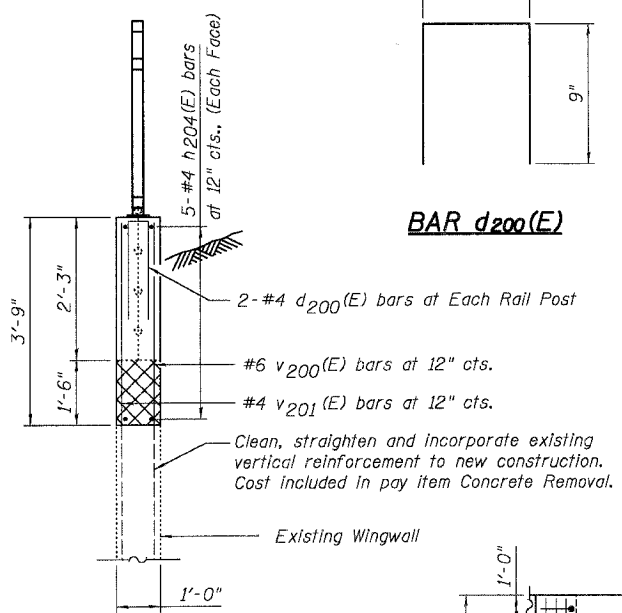
**NORTH EXTENSION
 BILL OF MATERIAL**

Bar	No.	Size	Length	Shape	
d200(E)	13	# 7	18'-5"	—	
d201(E)	5	# 7	17'-3"	—	
d202(E)	18	# 7	13'-9"	—	
d203(E)	10	# 7	8'-11"	—	
d204(E)	18	# 7	8'-4"	—	
d205(E)	14	# 5	9'-5"	—	
d206(E)	20	# 5	6'-3"	—	
d207(E)	14	# 4	2'-2"	—	
d208(E)	6	# 5	3'-6"	—	
h201(E)	62	# 5	3'-9"	—	
h202(E)	13	# 5	5'-8"	—	
h203(E)	20	# 4	22'-6"	—	
v200(E)	46	# 6	3'-7"	—	
v201(E)	46	# 4	3'-7"	—	
Reinforcement Bars, Epoxy Coated				Pound	2,950
Concrete Structures				Cu. Yd.	14.1
Expansion Bolts 3/4 Inch				Each	28
Concrete Removal				Cu. Yd.	7.2

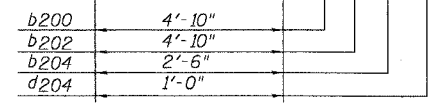


NORTH END ELEVATION

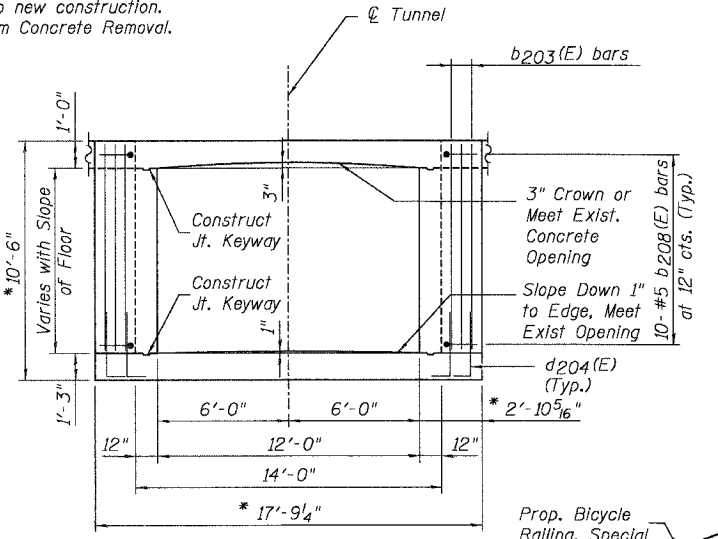
* Verify dimension in the field



SECTION B-B

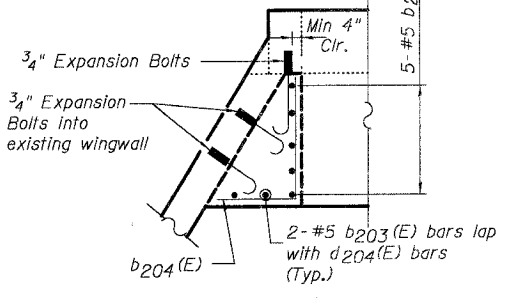


**BARS b200(E), b202(E),
 b204(E) and d204(E)**

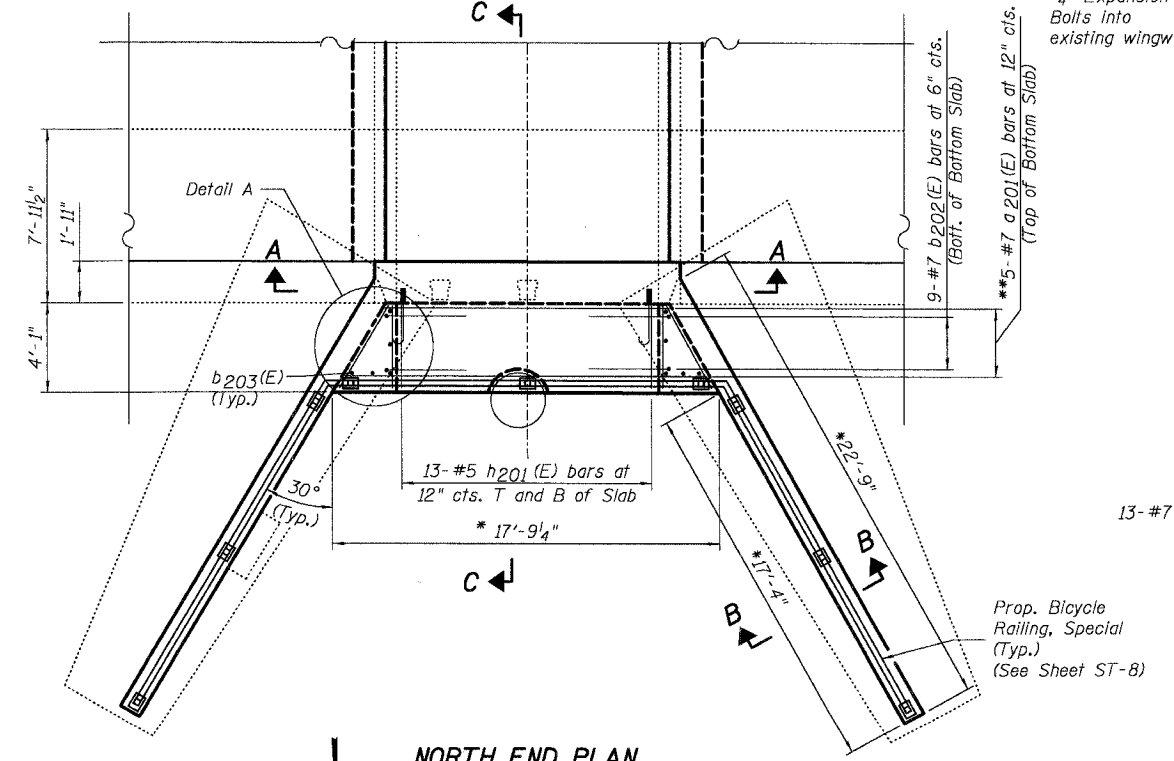


SECTION A-A

* Verify dimensions in the field



DETAIL A



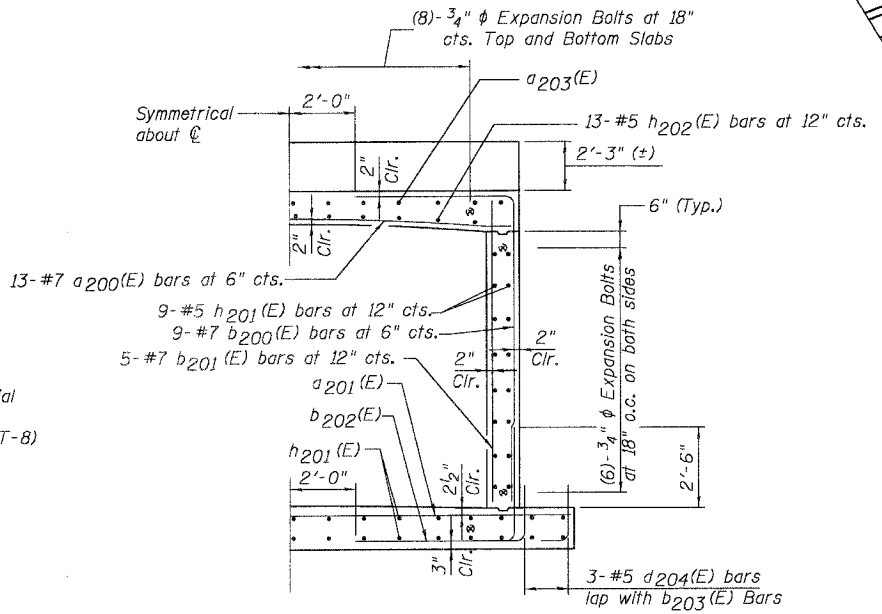
NORTH END PLAN

Showing bottom slab reinforcement
 * Verify dimension in the field

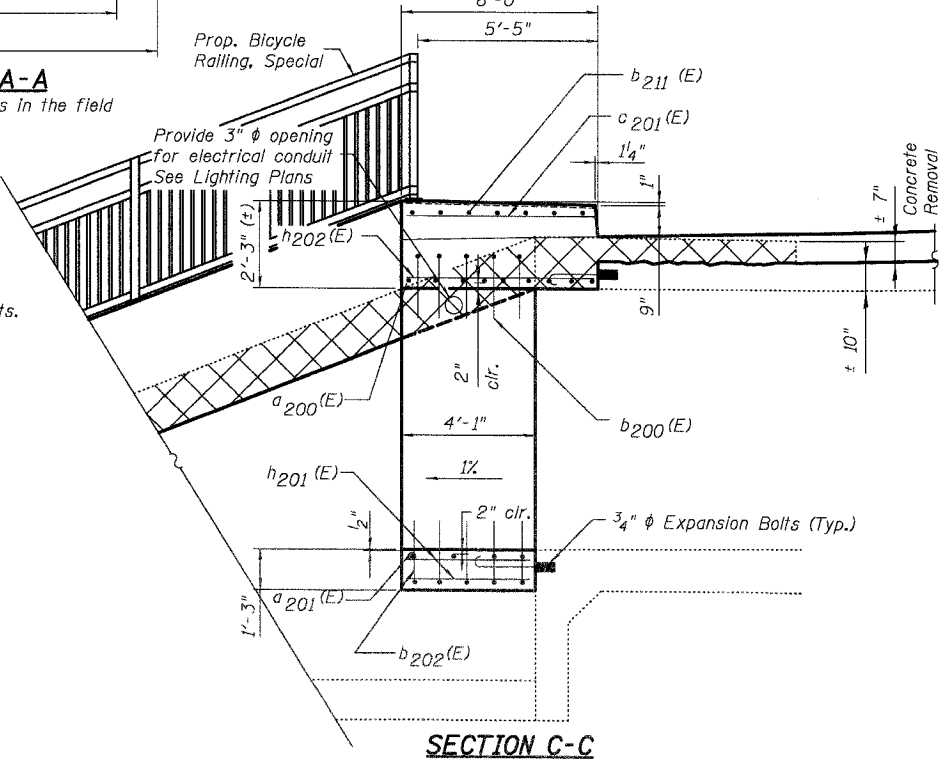
** Order Bars full length and cut to fit in the field.

NOTES
 Reinforcement Bars designated (E) shall be Epoxy Coated.
 Cost of Rubbed Finish included in the pay item Concrete Structures.

LEGEND
 Indicates limits Concrete Removal.



**HALF SECTION A-A
 SHOWING REINFORCEMENT**



SECTION C-C

DESIGNED	AEU
CHECKED	RGD
DRAWN	WJH
CHECKED	NRF

SMITH ENGINEERING CONSULTANTS, INC.
 CIVIL/STRUCTURAL ENGINEERS AND SURVEYORS

REVISIONS	
NAME	DATE

CITY OF AURORA
 TUNNEL EXTENSION DETAILS - NORTH END
 PEDESTRIAN TUNNEL
 ILLINOIS AVENUE
 OVER THE FOX RIVER
 SECTION NO. 03-00247-00-BR
 KANE COUNTY
 DATE 7-28-2006

CONTRACT NO. 03-00247-00-BR
 SHEET NO. ST-12 OF 12
 DATE 7-28-2006