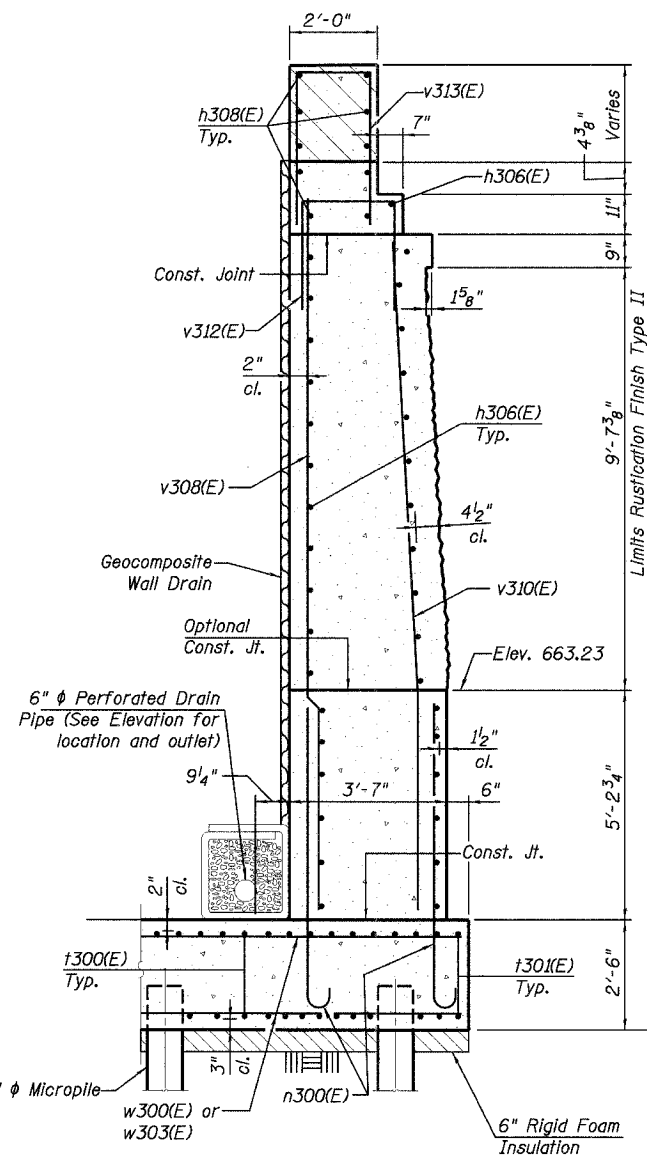
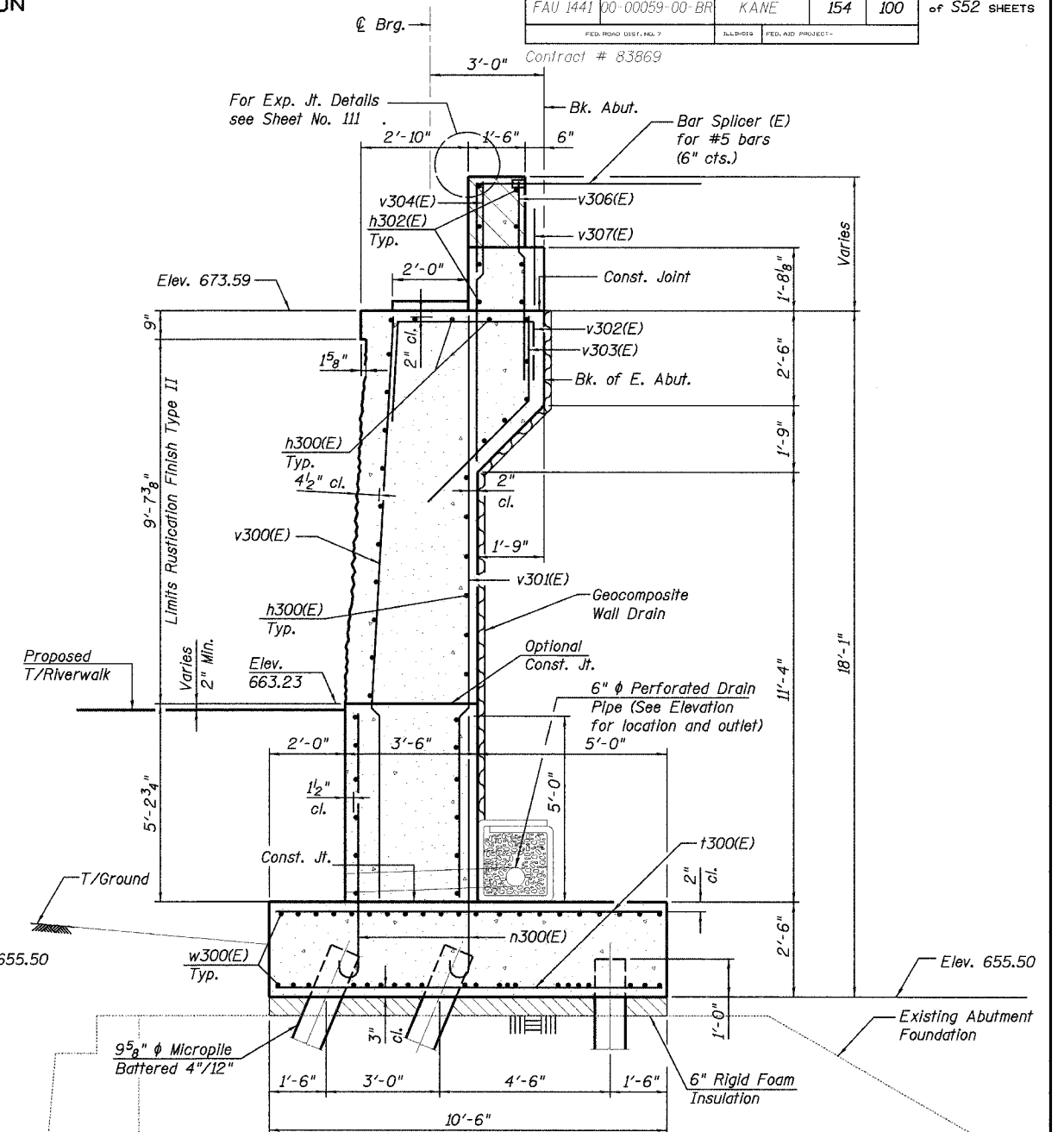


SECTION B-B



SECTION C-C

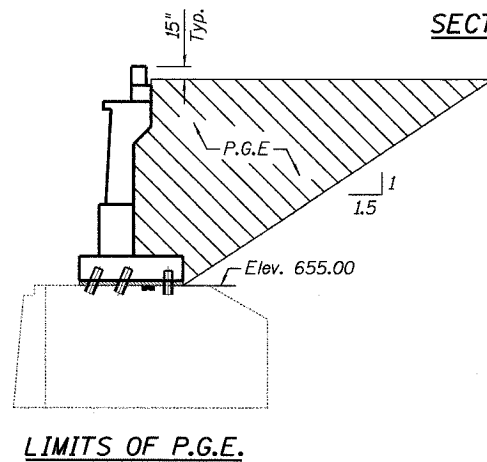


SECTION A-A

NOTE

1. Work this sheet with Sheet Nos. 98, 99 and 101

DESIGNED	KMS
CHECKED	KSS
DRAWN	KMS/EF
CHECKED	KSS



LIMITS OF P.G.E.

Elev. 643±

LOCHNER
H.W. LOCHNER, INC., CHICAGO, ILLINOIS

EAST ABUTMENT DETAILS I
WILSON ST OVER FOX RIVER
SECTION 00-00059-00-BR
KANE COUNTY
STRUCTURE NO. 045-6051