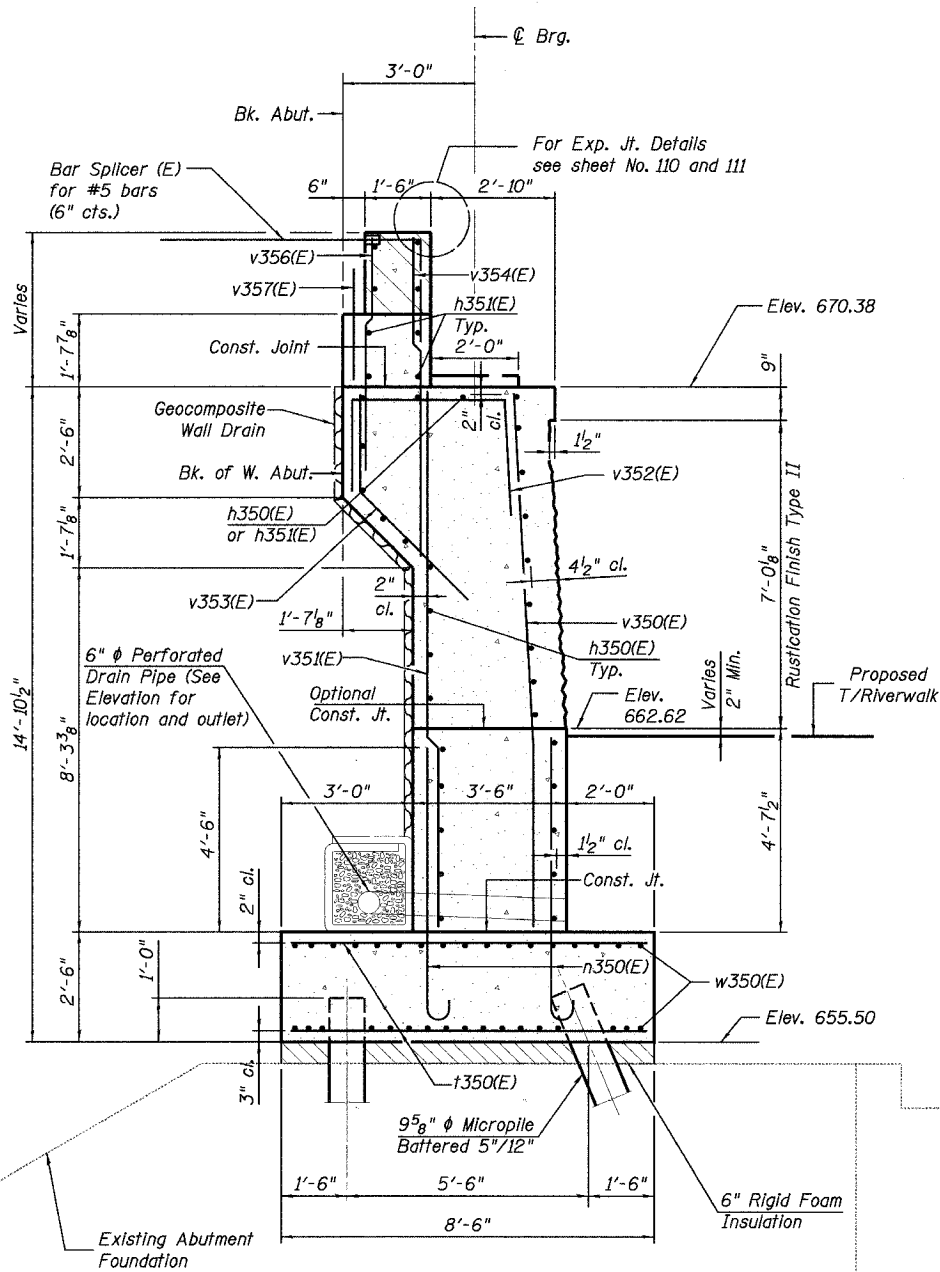


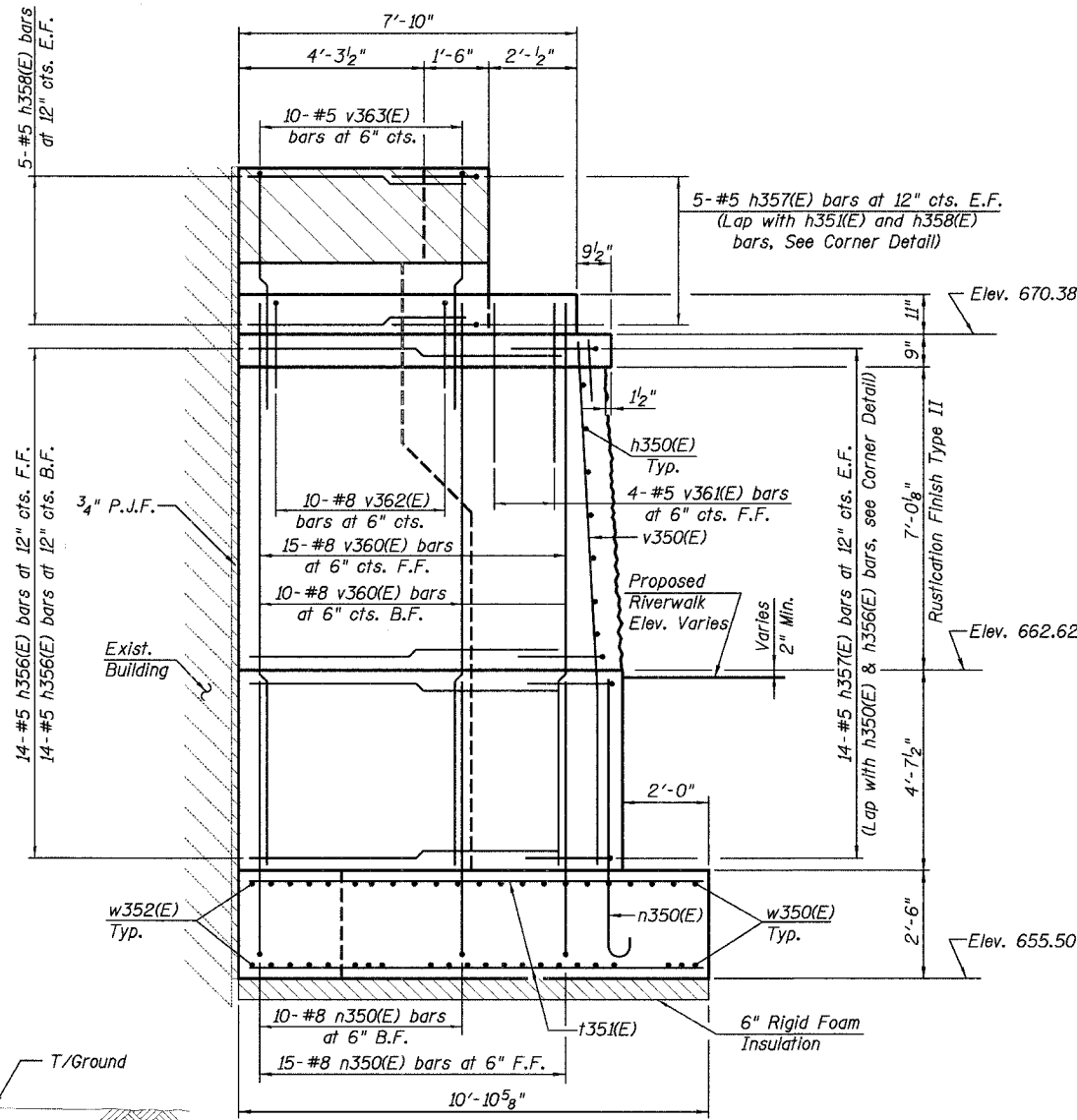
STATE OF ILLINOIS
DEPARTMENT OF TRANSPORTATION

ROUTE NO.	SECTION	COUNTY	TOTAL SHEETS	SHEET NO.	SHEET NO. S33
FAU 1441	00-00059-00-BR	KANE	154	104	of 552 SHEETS
FED. ROAD DIST. NO. 7		ILLINOIS	FED. AID PROJECT		

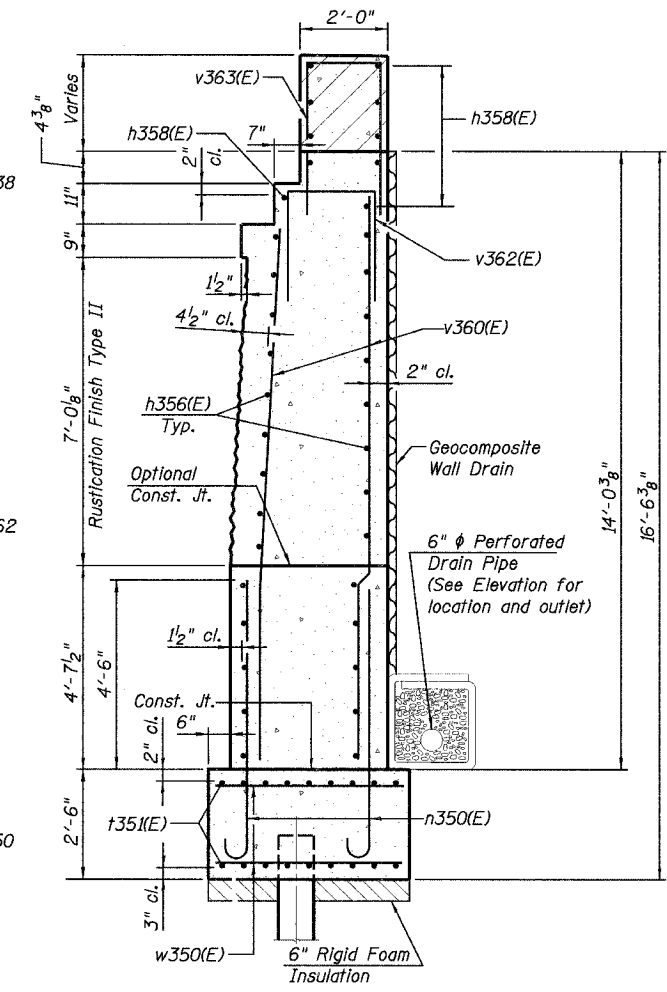
Contract # 83869



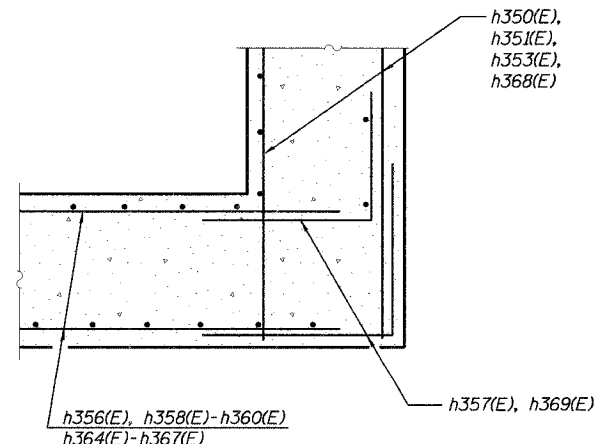
SECTION A-A



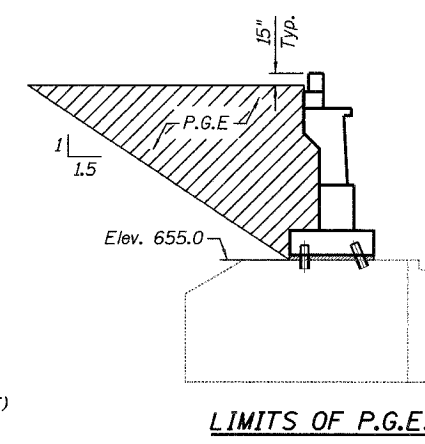
VIEW B-B



SECTION C-C



CORNER DETAIL



LIMITS OF P.G.E.

NOTE

1. Work this sheet with Sheet Nos. 102, 103 and 105 through 107

WEST ABUTMENT DETAILS I
WILSON ST OVER FOX RIVER
SECTION 00-00059-00-BR
KANE COUNTY
STRUCTURE NO. 045-6051

DESIGNED	- KMS
CHECKED	- KSS
DRAWN	- KMS
CHECKED	- KSS

Typ. Lap Splice	
Bar Size	Min. Lap
#5	2'-2"
#5*	3'-0"
#6	2'-7"
#7	3'-5"
#8	4'-6"

* Top Horizontal Bar

LOCHNER
H.W. LOCHNER, INC., CHICAGO, ILLINOIS