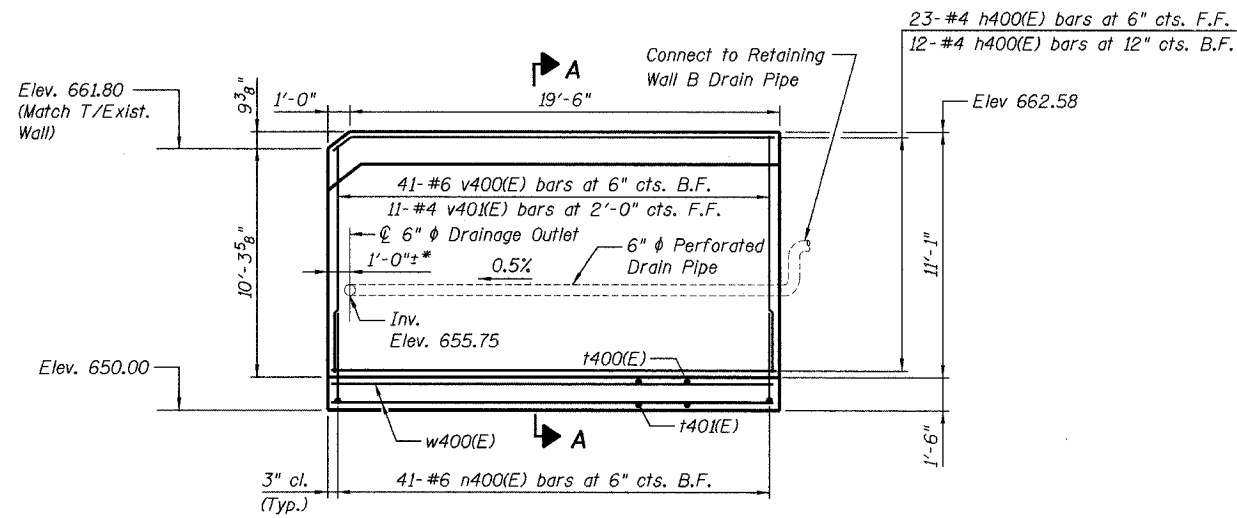


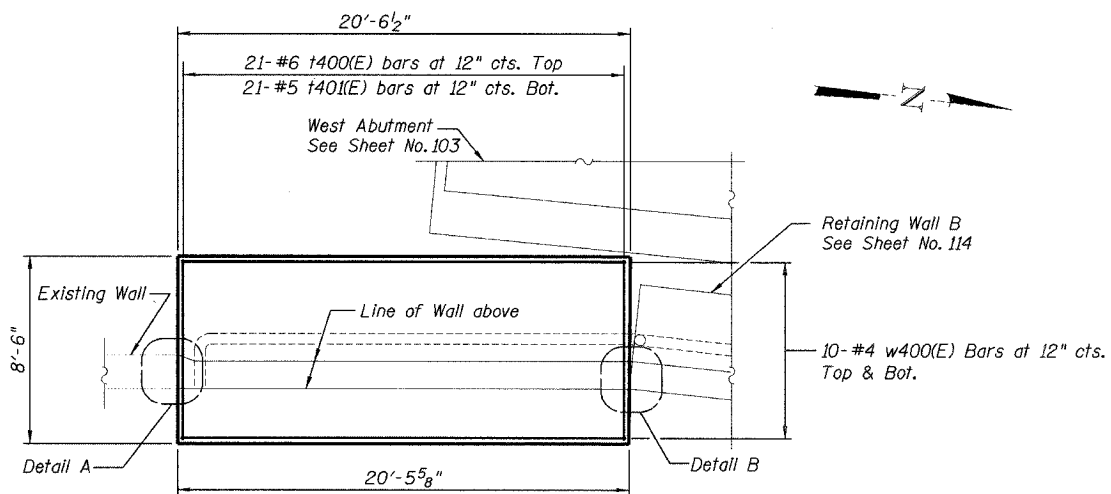
STATE OF ILLINOIS  
DEPARTMENT OF TRANSPORTATION

ROUTE NO.	SECTION	COUNTY	TOTAL SHEETS	SHEET NO.	SHEET NO. S42
FAU 1441	00-00059-00-BR	KANE	154	113	of 552 SHEETS
FED. ROAD DIST. NO. 7		ILLINOIS	FED. AID PROJECT		

Contract # 83869



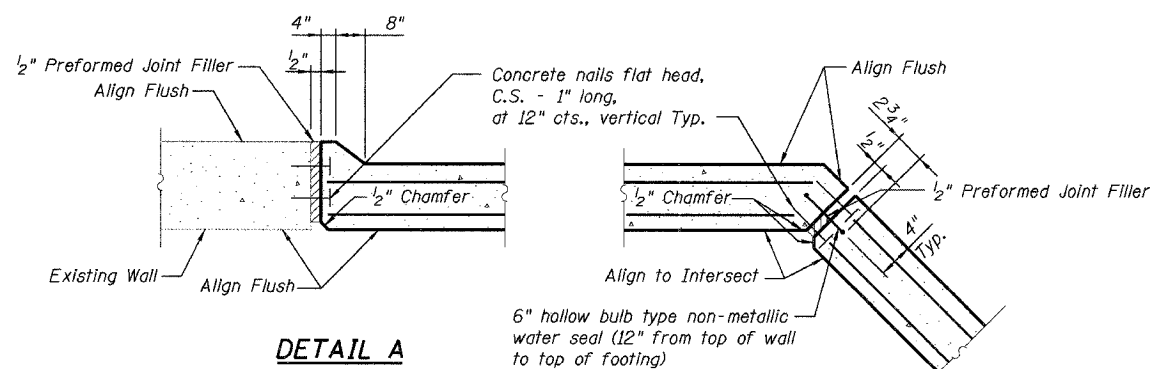
**ELEVATION**  
(Looking West)  
\* Space outlet to miss reinforcing steel.



**PLAN**

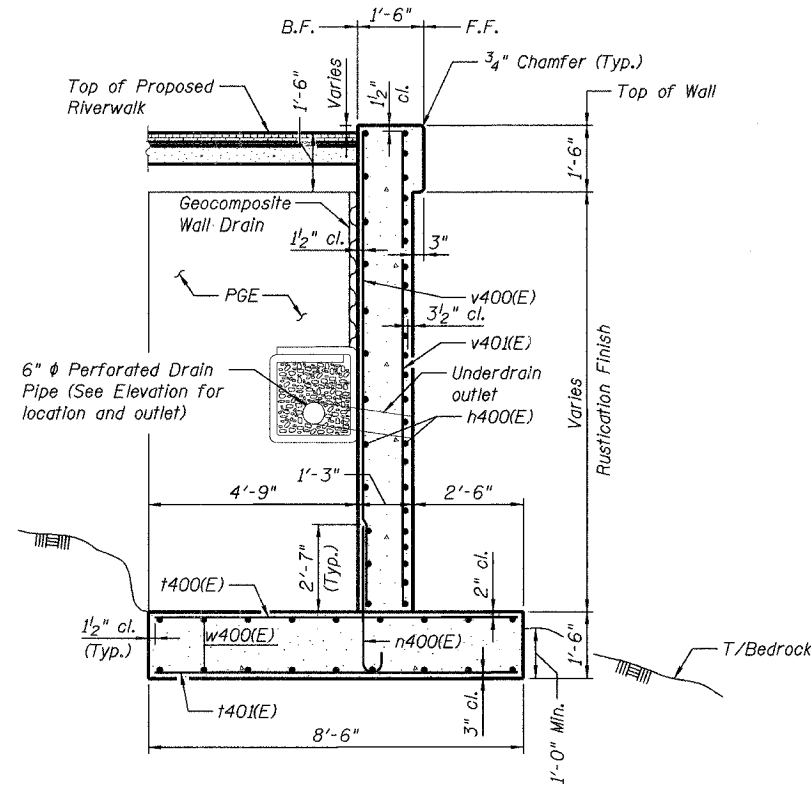
Typ. Lap Splice	
Bar Size	Min. Lap
#4	1'-8"
#5*	3'-0"
#6	2'-7"
#7	3'-5"
#8	4'-6"

\* Top Horizontal Bar

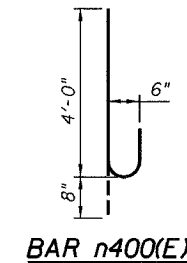


**DETAIL A**

**DETAIL B**



**SECTION A-A**



**BILL OF MATERIAL**

Bar	No.	Size	Length	Shape
h400(E)	35	#4	20'-0"	—
n400(E)	41	#6	4'-8"	U
t400(E)	21	#6	8'-3"	—
t400(E)	21	#5	8'-3"	—
v400(E)	41	#6	10'-10"	—
v400(E)	11	#4	10'-10"	—
w400(E)	20	#4	20'-0"	—
Concrete Structures		Cu. Yd.	20.5	
Reinforcement Bars, Epoxy Coated		Pound	2210	
Porous Granular Embankment		Cu. Yd.	37	
Structure Excavation		Cu. Yd.	15	
Rock Excavation for Structures		Cu. Yd.	17	
Pipe Underdrains for Structures 6"		Foot	26	
Type I Rustication Finish (Special)		Sq. Yd.	197	
Geocomposite Wall Drain		Sq. Ft.	12	

**NOTES**

1. Reinforcement bars designated (E) shall be epoxy coated.
2. F.F. denotes Front Face  
B.F. denotes Back Face
3. Cut v400(E) Bars to fit wall height at south end.
4. Bend h400(E) Bars to fit wall height at south end.
5. Bedrock elevations are based on available soil boring data and are approximate. It shall be the contractor's responsibility to verify the actual bedrock elevations in the field and make necessary approved adjustments prior to construction or ordering of materials. Such variations shall not be cause for additional compensation for a change in scope of work, however, the contractor will be paid for the quantity actually furnished at the unit price for the work.
6. See Arch. Plans for Detail of Rustication Finish, Type I.
7. See Sheet No.76 for demolition of existing masonry wall.
8. See specifications for information regarding protection of existing buildings and structures.

**RETAINING WALL A**  
**WILSON ST OVER FOX RIVER**  
**SECTION 00-00059-00-BR**  
**KANE COUNTY**  
**STRUCTURE NO. 045-6051**

**LOCHNER**  
H.W. LOCHNER, INC., CHICAGO, ILLINOIS

5/14/2008 1:06:23 PM  
C:\SRP\Projects\1441\1441.dwg