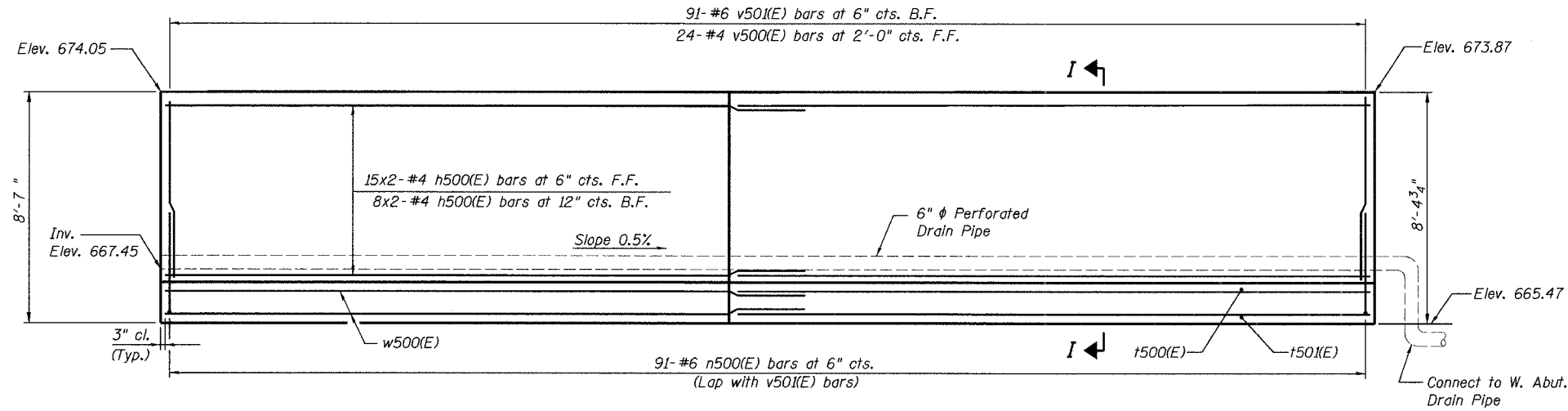


STATE OF ILLINOIS  
DEPARTMENT OF TRANSPORTATION

ROUTE NO.	SECTION	COUNTY	TOTAL SHEETS	SHEET NO.	SHEET NO. S48
FAU 1441	00-00059-00-BR	KANE	154	119	of 552 SHEETS
FED. ROAD DIST. NO. 7		ILLINOIS	FED. AID PROJECT		

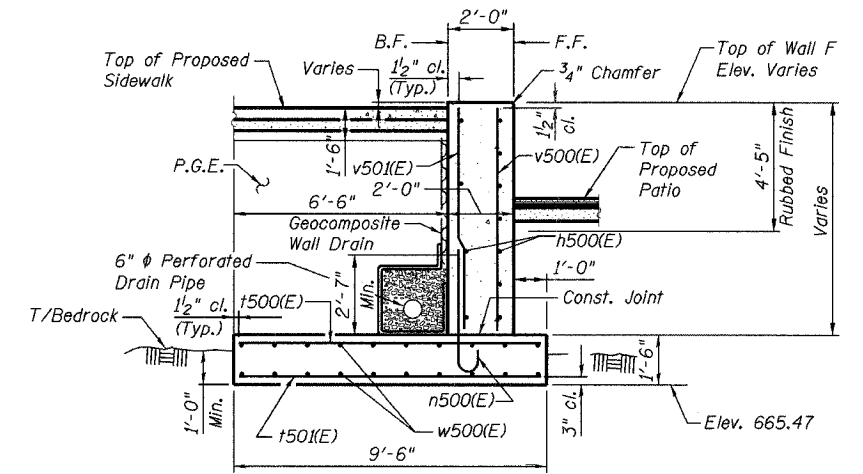
Contract # 83869



**ELEVATION**  
(Looking South)

Typ. Lap Splice	
Bar Size	Min. Lap
#4	1'-8"
#5	2'-2"
#5*	3'-0"
#6	2'-7"
#7	3'-5"
#8	4'-6"

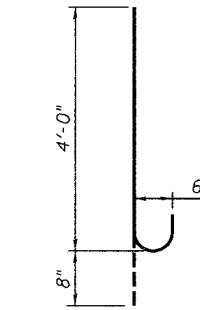
\* Top Horizontal Bar



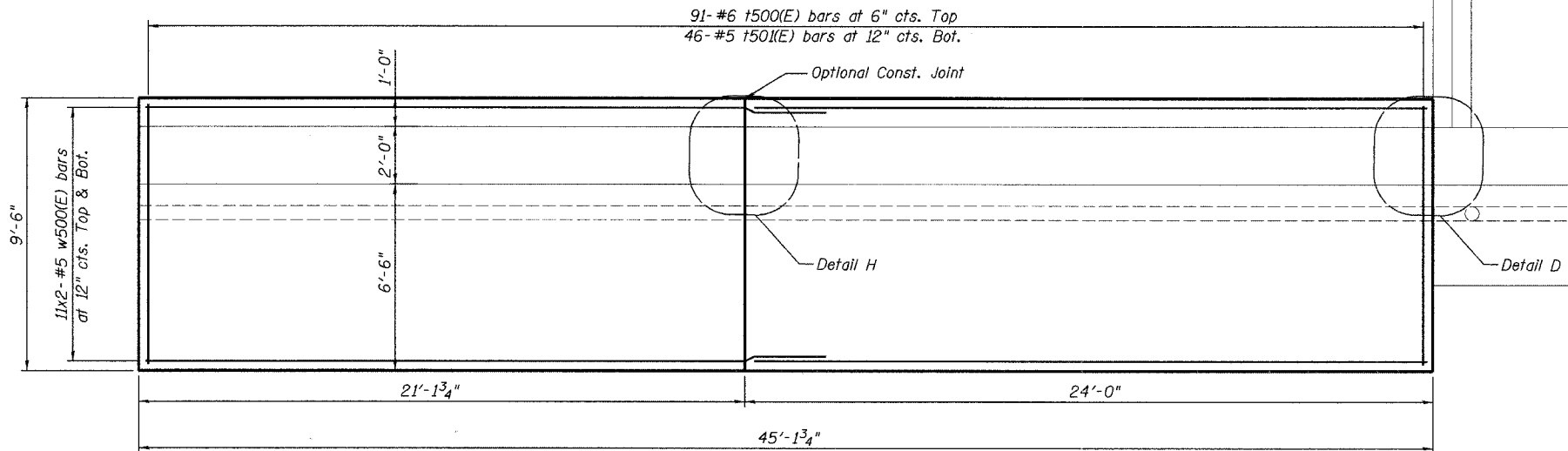
**SECTION I-I**

**BILL OF MATERIAL**

Bar	No.	Size	Length	Shape
h500(E)	46	#4	23'-2"	—
n500(E)	91	#6	4'-8"	—
t500(E)	91	#6	9'-3"	—
t50(E)	46	#5	9'-3"	—
v500(E)	24	#4	6'-8"	—
v50(E)	91	#6	6'-8"	—
w500(E)	22	#5	23'-6"	—
Concrete Structures		Cu. Yd.	47.3	
Reinforcement Bars, Epoxy Coated		Pound	4620	
Structure Excavation		Cu. Yd.	185	
Pipe Underdrains for Structures 6"		Foot	46	
Porous Granular Embankment (Special)		Cu. Yd.	66	
Rock Excavation for Structures		Cu. Yd.	16	
Geocomposite Wall Drain		Sq. Yd.	24	
Rubbed Finish		Sq. Ft.	200	



**BAR n500(E)**



**PLAN**

**NOTES**

1. Reinforcement bars designated (E) shall be epoxy coated.
2. B.F. denotes Back Face  
F.F. denotes Front Face  
E.F. denotes Each Face
3. Bars Indicated thus 15x2-#4 etc. indicates 15 lines of bars with 2 lengths per line.
4. For Detail D See Sheet No. 115
5. For Detail H See Sheet No. 118
6. Bedrock elevations are based on available soil boring data and are approximate. It shall be the contractor's responsibility to verify the actual bedrock elevations in the field and make necessary approved adjustments prior to construction or ordering of materials. Such variations shall not be cause for additional compensation for a change in scope of work, however, the contractor will be paid for the quantity actually furnished at the unit price for the work.
7. See Specifications for information regarding protection of existing buildings and structures.

**RETAINING WALL F**  
**WILSON ST OVER FOX RIVER**  
**SECTION 00-00059-00-BR**  
**KANE COUNTY**  
**STRUCTURE NO. 045-6051**

DESIGNED	- DWH
CHECKED	- BJN
DRAWN	- BJN/EF
CHECKED	- JSD

**LOCHNER**  
H.W. LOCHNER, INC., CHICAGO, ILLINOIS

9/14/2006 10:57 AM  
S:\2006\045-6051\DWG\FINAL.DWG