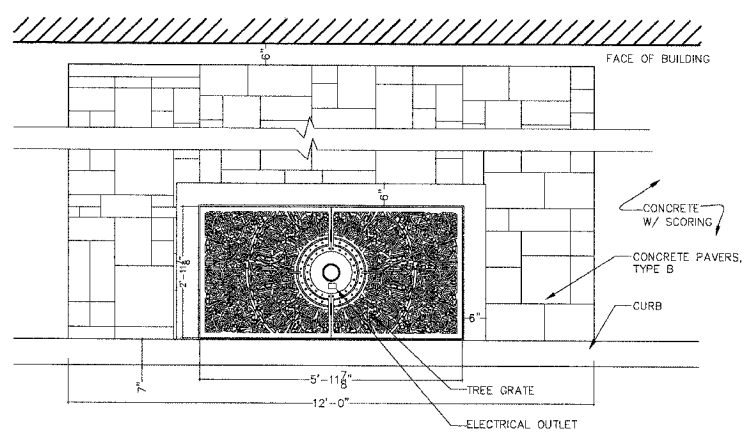
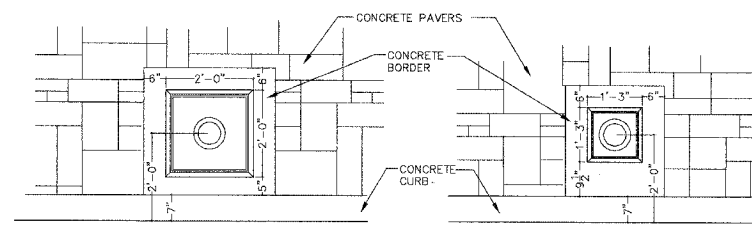


F.A.U. RITE	SECTION	COUNTY	TOTAL SHEETS	SHEET NO.
141	00-00059-00-BR	KANE	154	127
STA. _____		TO STA. _____		
FED. ROAD DIST. NO. _____		ILLINOIS FED. AID PROJECT		



**TREE GRATE PLAN DETAIL**

SCALE: 1/2" = 1' - 0"

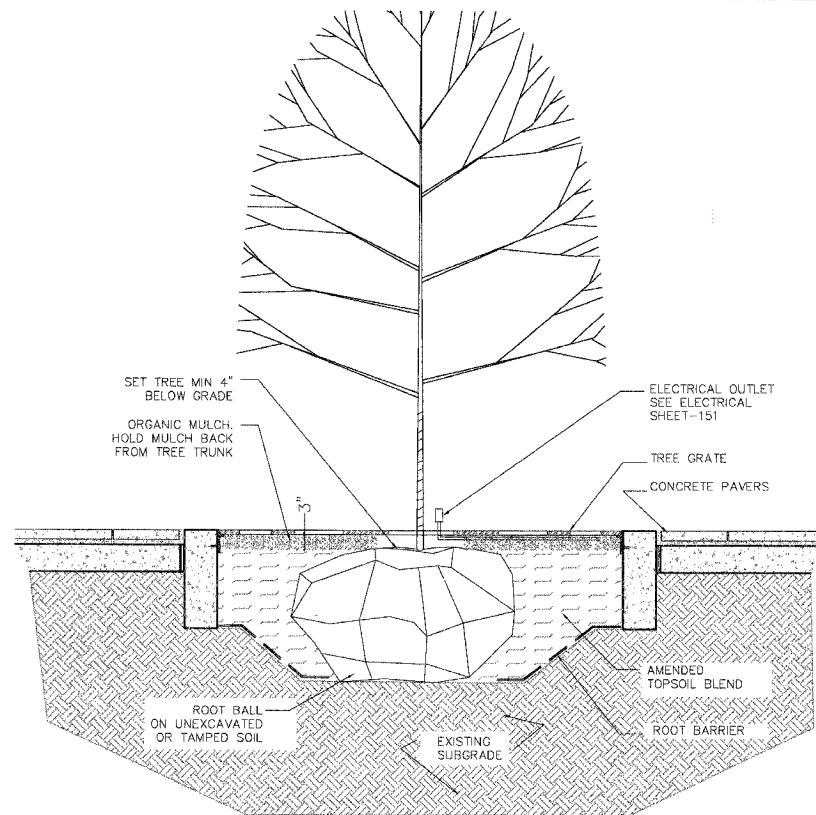


**ROADWAY LIGHT**

**PEDESTRIAN LIGHT**

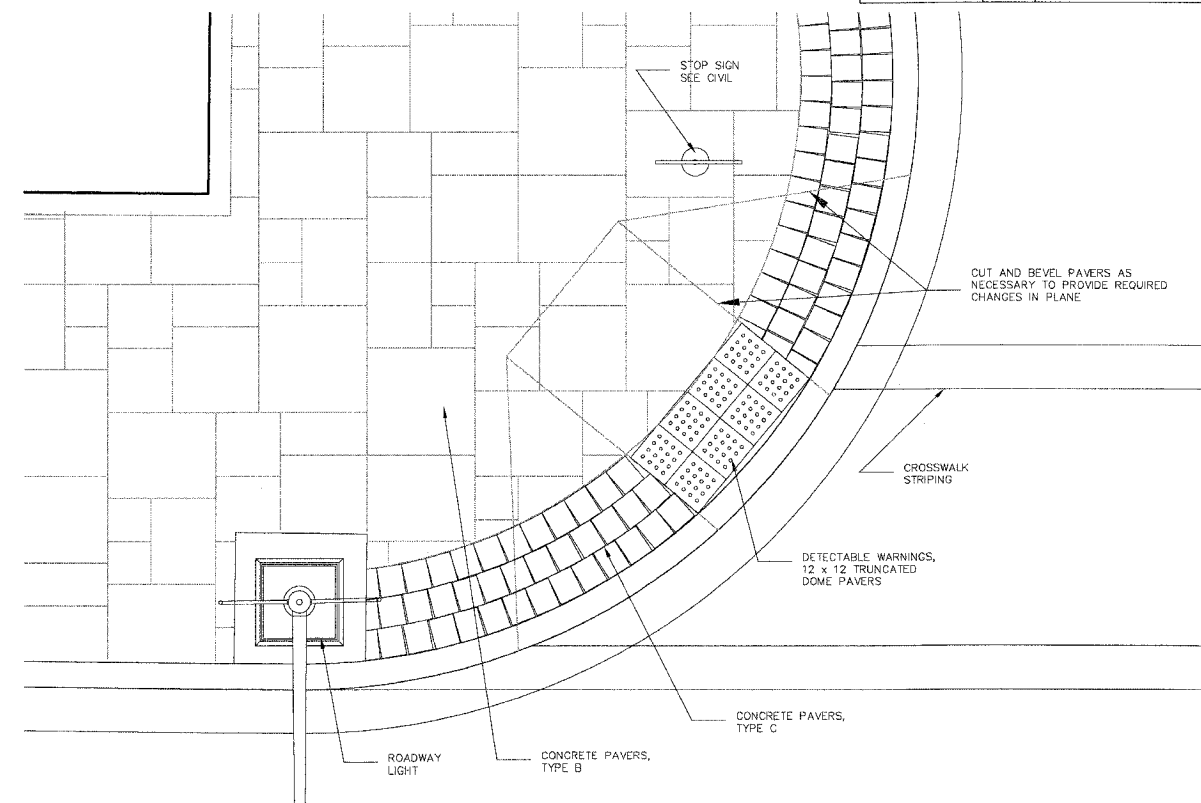
**LIGHT BASE PLAN DETAILS**

SCALE: 1/2" = 1' - 0" SEE ELECTRICAL SHEETS 149 AND 150



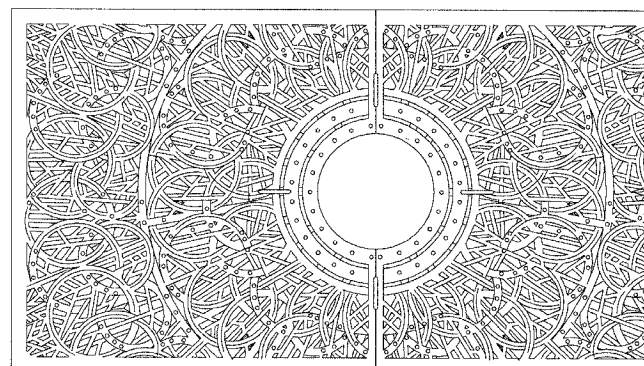
**TREE PLANTING AND SOIL INSTALLATION DETAIL**

SCALE: 3/4" = 1' - 0"



**ADA CURB DETAIL**

SCALE: 1/2" = 1' - 0" SEE SHEET-126 FOR PLAN LOCATION

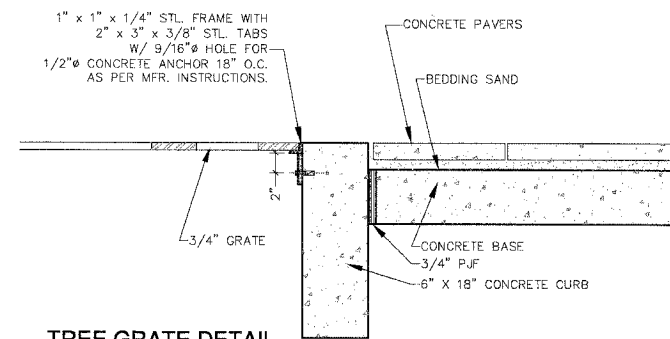


SEE SPECIFICATIONS FOR ADDITIONAL INFORMATION

**TREE GRATE PATTERN DETAIL**

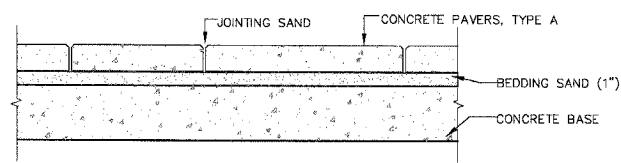
SCALE: N.T.S.

1" x 1" x 1/4" STL. FRAME WITH 2" x 3" x 3/8" STL. TABS W/ 9/16" HOLE FOR 1/2" CONCRETE ANCHOR 18" O.C. AS PER MFR. INSTRUCTIONS.



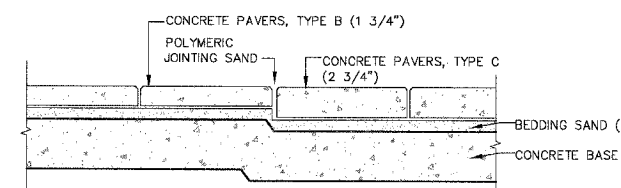
**TREE GRATE DETAIL**

SCALE: 3" = 1' - 0"



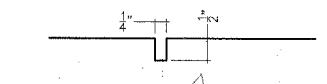
**TYPICAL PAVING DETAILS**

SCALE: 1 1/2" = 1' - 0"



**PAVING DETAILS AT PATTERN TRANSITION**

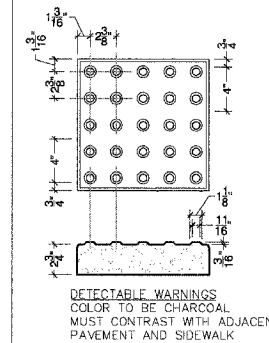
SCALE: 1 1/2" = 1' - 0"



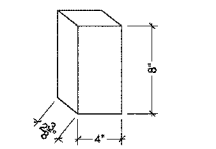
**CONCRETE SCORING DETAIL**

SCALE: 6" = 1' - 0"

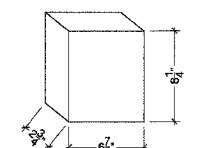
NOTES:  
1) FOR EACH PAVER TYPE, PATTERNS AND LAYOUT TO BE AS SHOWN ELSEWHERE IN THE PLANS. SEE SPECIAL PROVISIONS FOR ADDITIONAL REQUIREMENTS.  
2) COLOR AND TEXTURE OF PAVERS SHALL BE AS APPROVED BY ENGINEER



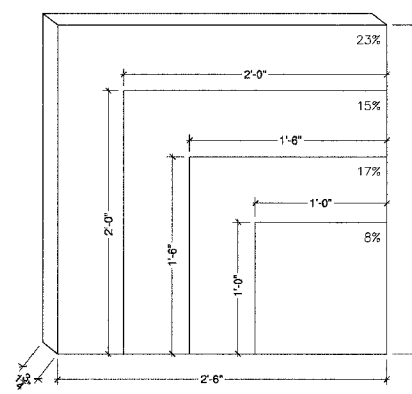
DETECTABLE WARNINGS  
COLOR TO BE CHARCOAL  
MUST CONTRAST WITH ADJACENT PAVEMENT AND SIDEWALK



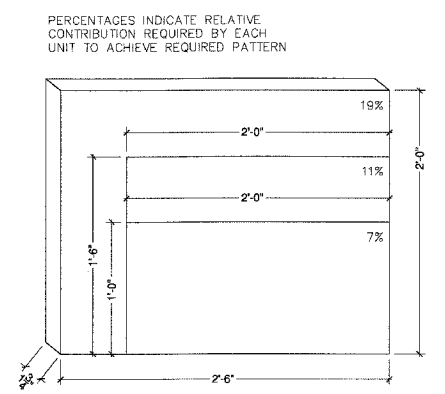
CONCRETE PAVERS, TYPE A  
COLOR AND TEXTURE TO MATCH EXISTING RIVERWALK PAVERS



CONCRETE PAVERS, TYPE C  
TEXTURE - TUMBLED EDGE  
COLOR - SANDSTONE



CONCRETE PAVERS, TYPE B - SQUARE UNITS  
COLOR - GREY WITH IRON STAINING  
TEXTURE - FLAGSTONE



CONCRETE PAVERS, TYPE B - RECTANGULAR UNITS  
COLOR - GREY WITH IRON STAINING  
TEXTURE - FLAGSTONE

**PAVING DETAILS - CONCRETE PAVER TYPES**

SCALE: 1 1/2" = 1' - 0"

**NOTES:**

- 1 - SEE SHEETS 124 THROUGH 126 FOR PLAN AND LAYOUT INFORMATION
- 2 - SEE SHEETS 42 AND 43 FOR RIVERWALK PAVING LAYOUT

PLOT DATE = \$DATE\$  
FILE NAME = \$FILEL\$  
PLOT SCALE = \$SCALEL\$  
USER NAME = \$USERL\$

**JLA**  
JOHNSON - LASKY  
ARCHITECTS  
180 N. WICKHAM AVE.  
CHICAGO, ILLINOIS 60601

REVISIONS	
NAME	DATE

ILLINOIS DEPARTMENT OF TRANSPORTATION  
WILSON STREET  
PLAN DETAILS  
TYPICAL DETAILS

VARIES

SCALE: \_\_\_\_\_  
DATE 07.28.2006

BRJ / JA  
BRJ / LL

DRAWN BY \_\_\_\_\_  
CHECKED BY \_\_\_\_\_