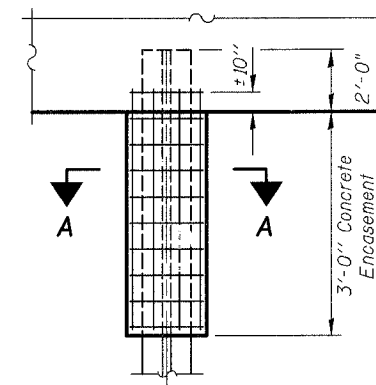
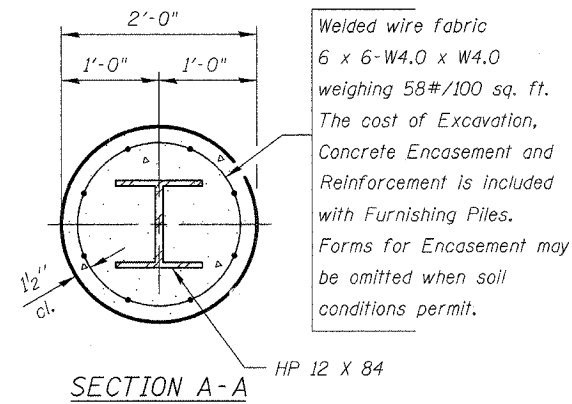


STATE OF ILLINOIS
DEPARTMENT OF TRANSPORTATION

ROUTE NO.	SECTION	COUNTY	TOTAL SHEETS	SHEET NO.	SHEET NO. 5 6 SHEETS
0083	02-00270-00-BR	McHENRY	37	27	
FEDERAL ROAD DISTRICT NUMBER 7		ILLINOIS FEDERAL AID PROJECT 1			

CONTRACT NO.: 83872



PILE ENCASEMENT DETAIL

DESIGNED	EAK
CHECKED	AJS
DRAWN	RAP
CHECKED	JAR



ILLINOIS DEPARTMENT OF TRANSPORTATION
PILE DETAILS
T.R. 0083 (STREIT ROAD) OVER
NORTH BRANCH OF THE KISHWAUKEE RIVER
T.R. 0083 SECTION 02-00270-00-BR
McHENRY COUNTY
S.N. 056-3171

SCALE: DATE: 8/8/2006