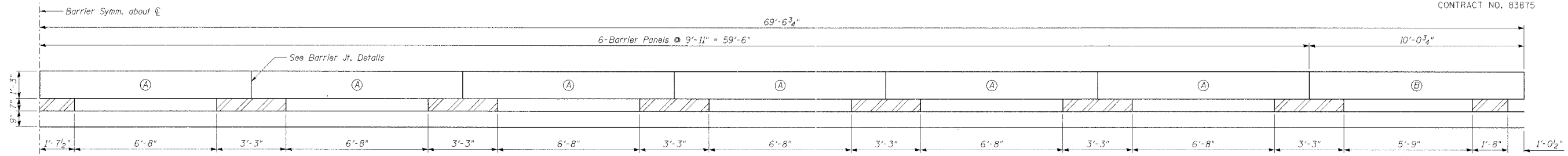


F.A. RTE.	SECTION	COUNTY	TOTAL SHEETS	SHEET NO.
2666	00-00254-01-BR	LAKE	70	31
STA. 98+50	TO STA. 107+57			
FED. ROAD DIST. NO.	ILLINOIS	FED. AID PROJECT		
Sheet 8 of 35 Sheets				
PROJECT NO. BHM-8003(213)				
CONTRACT NO. 83875				

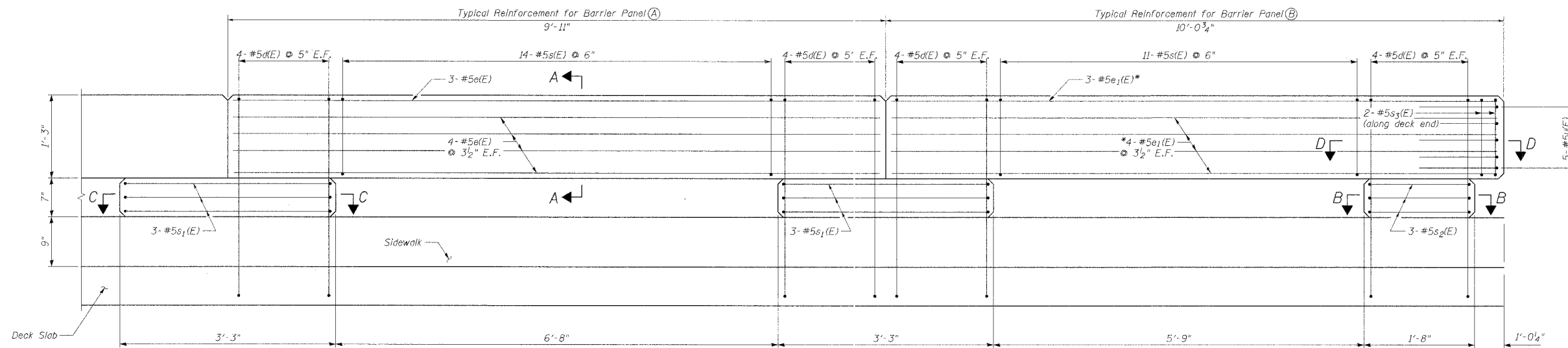
DATE	
BY	
REVISIONS	
NO.	
DATE	
BY	
REVISIONS	
NO.	
DATE	
BY	
REVISIONS	
NO.	
DATE	
BY	
REVISIONS	
NO.	

DATE	
BY	
REVISIONS	
NO.	
DATE	
BY	
REVISIONS	
NO.	
DATE	
BY	
REVISIONS	
NO.	

L:\lakeco\0220113\draw sheets\structure-16-06\traffic barrier.dwg

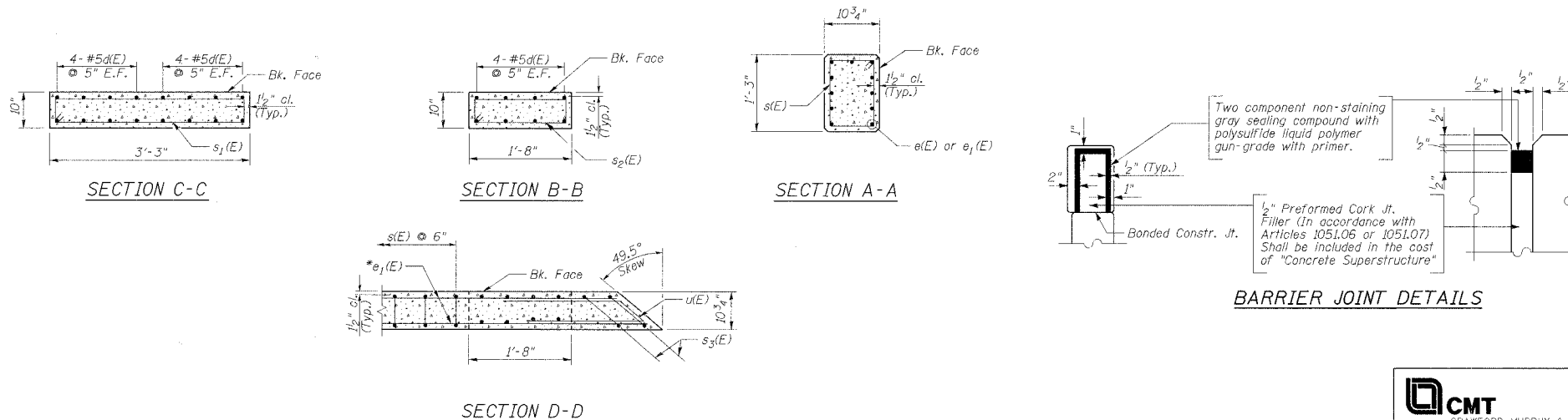


**TRAFFIC BARRIER HALF ELEVATION**  
(Dimensions given along  $\bar{C}$  Traffic Barrier)



**DETAIL PANELS A & B**  
(Dimensions given along  $\bar{C}$  Traffic Barrier)

\*Order bars full length. Cut to fit skew & use remainder of bar in opposite end.



**NOTES:**

- 1 Reinforcement bars designated (E) shall be epoxy coated.
- 2 Work this sheet with sheet 7 of 34.

REVISIONS	NAME	DATE

LAKE COUNTY DIVISION OF TRANSPORTATION  
**TRAFFIC BARRIER DETAILS**

BUFFALO GROVE ROAD  
AT INDIAN CREEK BRIDGE  
SECTION 00-00254-01-BR STATION 101+50.00  
LAKE COUNTY STRUCTURE NO. 049-3043  
SCALE: NONE DRAWN BY: TBW



DATE: 7/21/06 CHECKED BY: ATL, WK

TRAFFIC BARRIER DETAILS