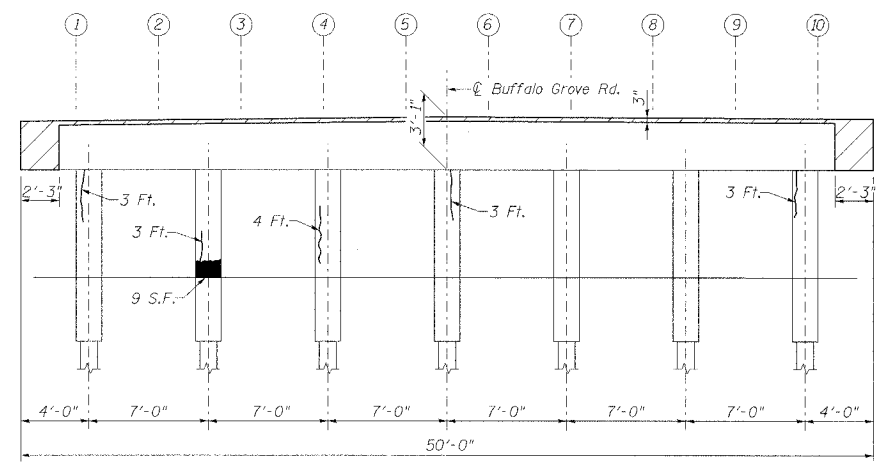


F.A. RTE.	SECTION	COUNTY	TOTAL SHEETS	SHEET NO.
2666	00-00254-01-BR	LAKE	70	45
STA. 98+50		TO STA. 107+57		
FED. ROAD DIST. NO.		ILLINOIS FED. AID PROJECT		

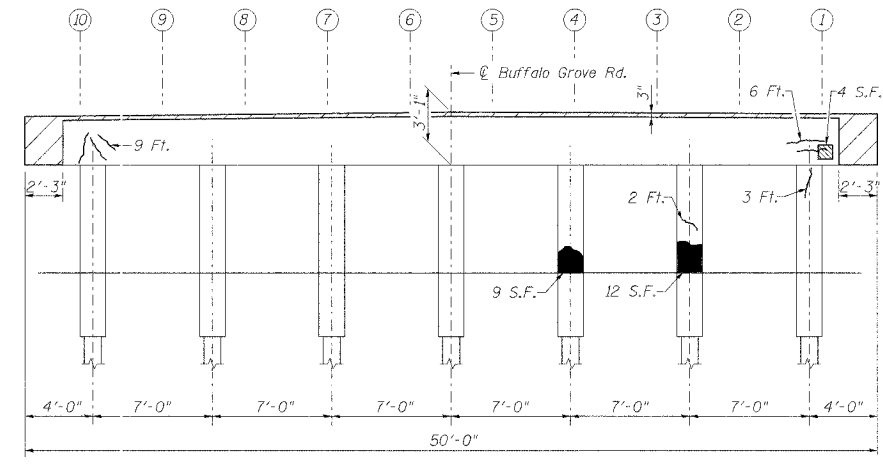
Sheet 22 of 35 Sheets
 PROJECT NO. BHM-8003(213)
 CONTRACT NO. 83875

PLAN	DATE	BY
REVISIONS		
NO.		

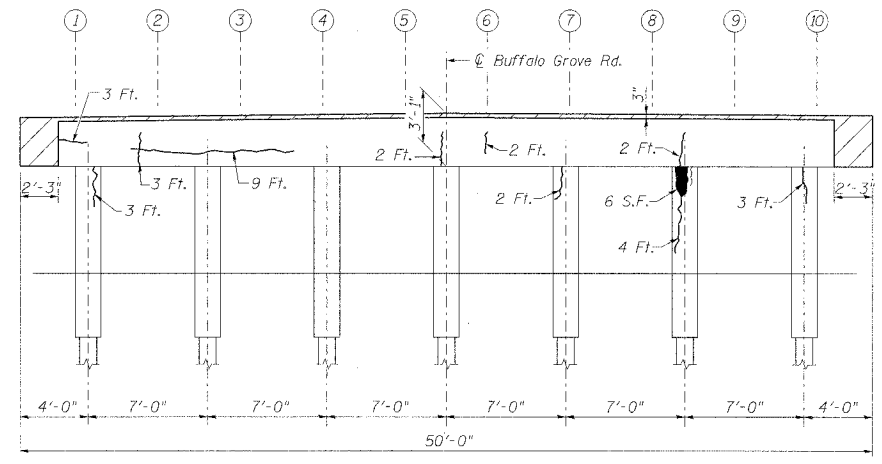
PROFILE	DATE	BY
REVISIONS		
NO.		



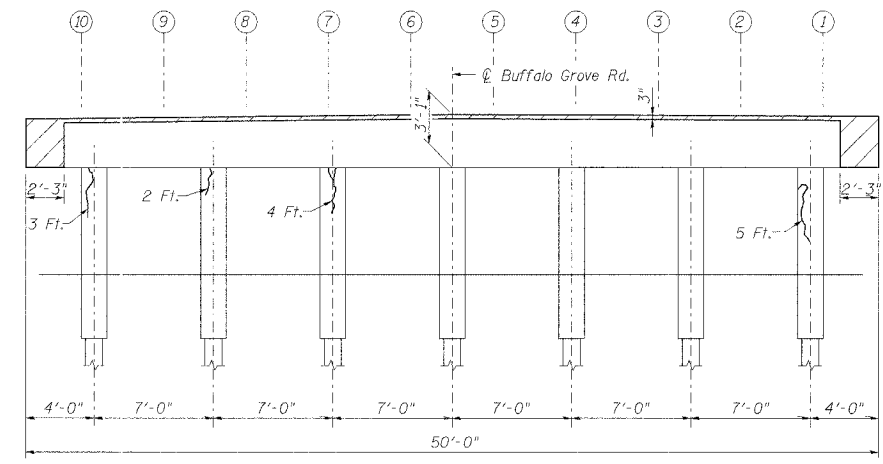
ELEVATION-SOUTH PIER-SOUTH FACE



ELEVATION-SOUTH PIER-NORTH FACE



ELEVATION-NORTH PIER-SOUTH FACE



ELEVATION-NORTH PIER-NORTH FACE

BILL OF MATERIAL

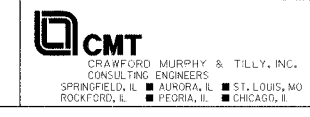
Item	Unit	Quantity
Formed Concrete Repair ≤ 5 in.	Sq. Ft.	40
Epoxy Crack Sealant	Foot	83

LEGEND

- Concrete to be Removed (See Sheet 19 of 34)
- Unsound Concrete
- Spalled Concrete and Exposed Corroded Rebar
- Crack
- Existing Beam Number

REVISIONS	DATE
NAME	DATE

LAKE COUNTY DIVISION OF TRANSPORTATION
PIER REPAIR
 BUFFALO GROVE ROAD
 AT INDIAN CREEK BRIDGE
 SECTION 00-00254-01-BR STATION 101+50.00
 LAKE COUNTY STRUCTURE NO. 049-3043
 SCALE: NONE DRAWN BY: TBW
 DATE: 7/21/06 CHECKED BY: ATI, WK



I:\lakeco\0220113\draw\sheet\struct\16-06\pier repair.dgn