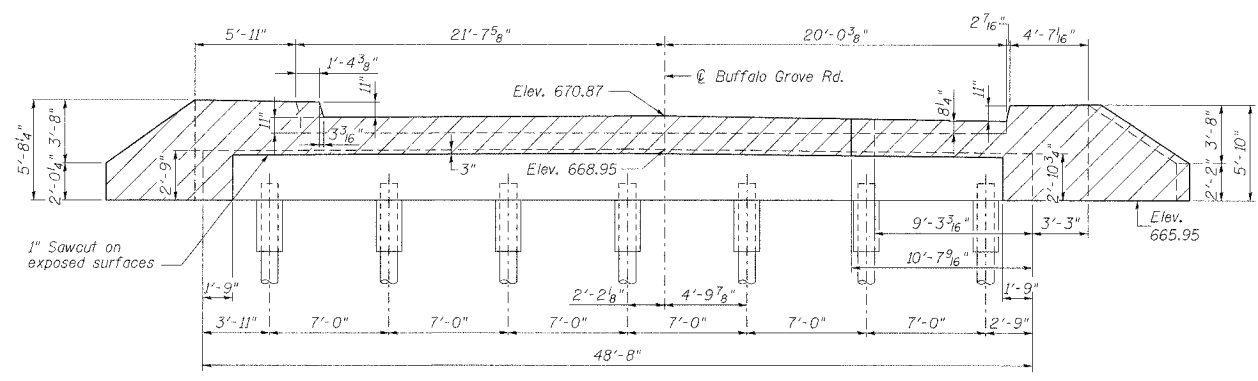
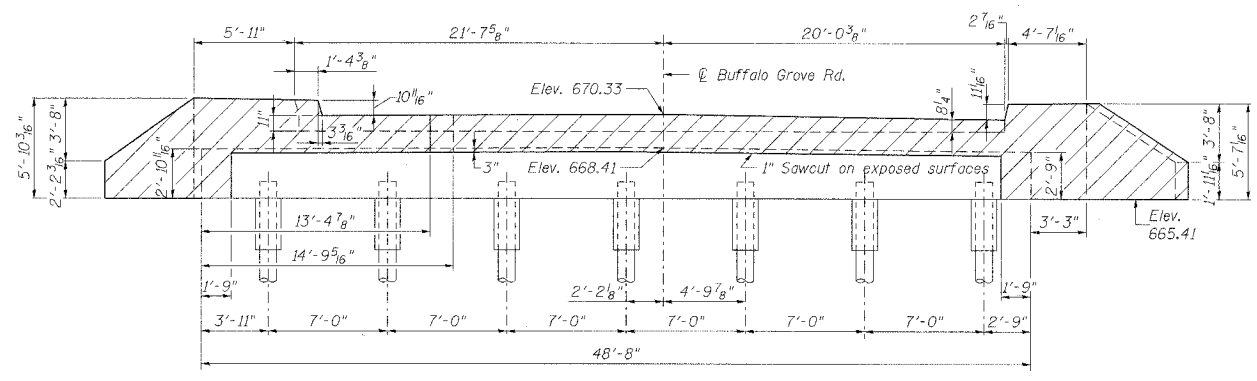
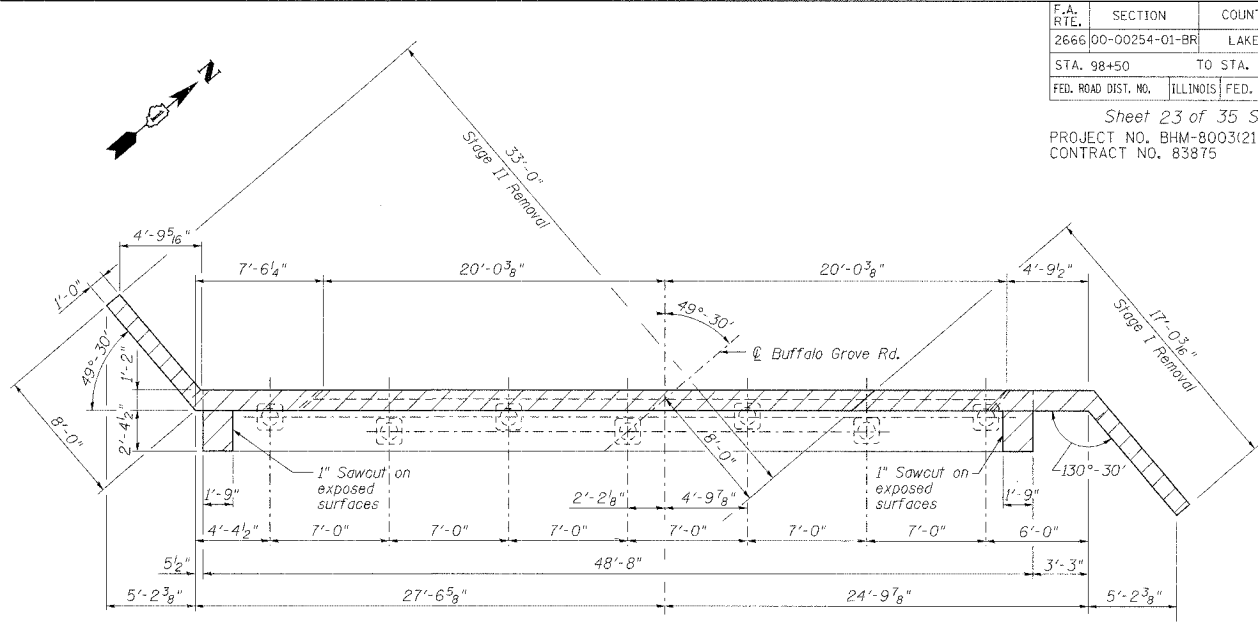
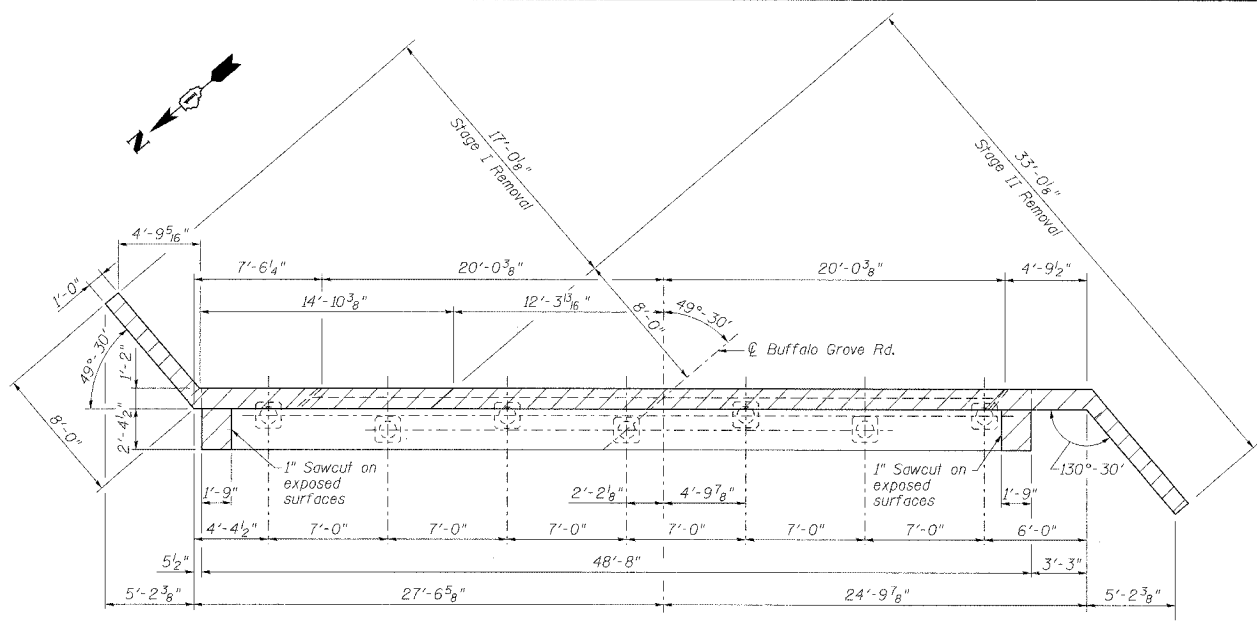


F.A. RTE.	SECTION	COUNTY	TOTAL SHEETS	SHEET NO.
2666	00-00254-01-BR	LAKE	70	46
STA. 98+50	TO STA. 107+57			
FED. ROAD DIST. NO.	ILLINOIS FED. AID PROJECT			
Sheet 23 of 35 Sheets				
PROJECT NO. BHM-8003(213)				
CONTRACT NO. 83875				

PLAN	DATE	BY
FORWARDED		
PLOTTED		
NOTED		
NO.		

PROFILE	DATE	BY
FORWARDED		
PLOTTED		
NOTED		
NO.		



SOUTH ABUTMENT
BILL OF MATERIAL

Item	Unit	Quantity
Concrete Removal	Cu. Yd.	9.0

NORTH ABUTMENT
BILL OF MATERIAL

Item	Unit	Quantity
Concrete Removal	Cu. Yd.	9.1

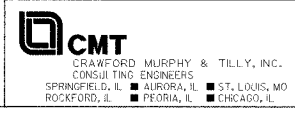
LEGEND

Concrete Removal

NOTE:
Cost of sawcutting concrete shall be included in "Concrete Removal".

REVISIONS	NAME	DATE

LAKE COUNTY DIVISION OF TRANSPORTATION
ABUTMENT CONCRETE REMOVAL
BUFFALO GROVE ROAD
AT INDIAN CREEK BRIDGE
SECTION 00-00254-01-BR STATION 101+50.00
LAKE COUNTY STRUCTURE NO. 049-3043
SCALE: NONE
DATE: 7/21/06
DRAWN BY: TBW
CHECKED BY: ATL, WK



I:\lakeco\0220113\draw\sheet\struct\6-16-06\abut removal.dgn