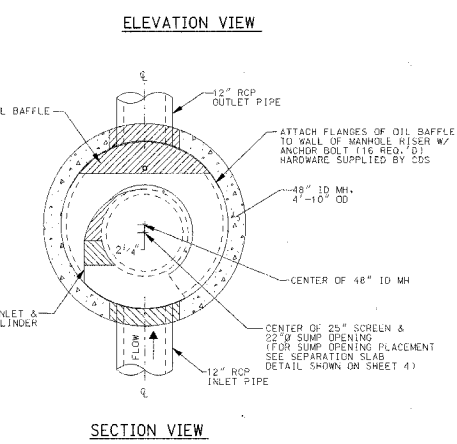
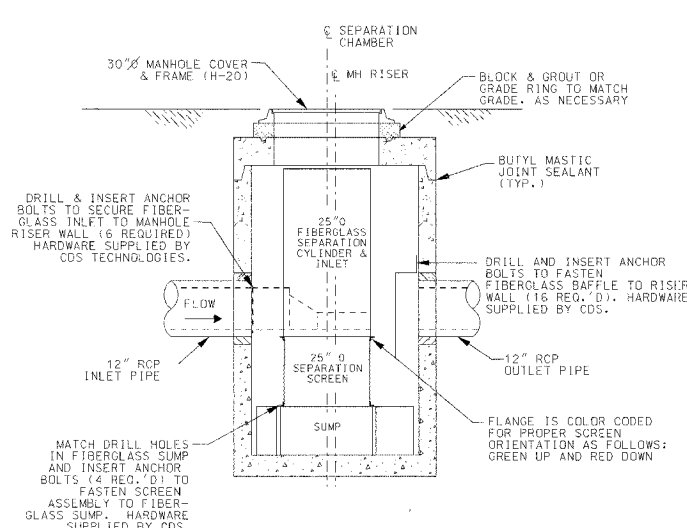
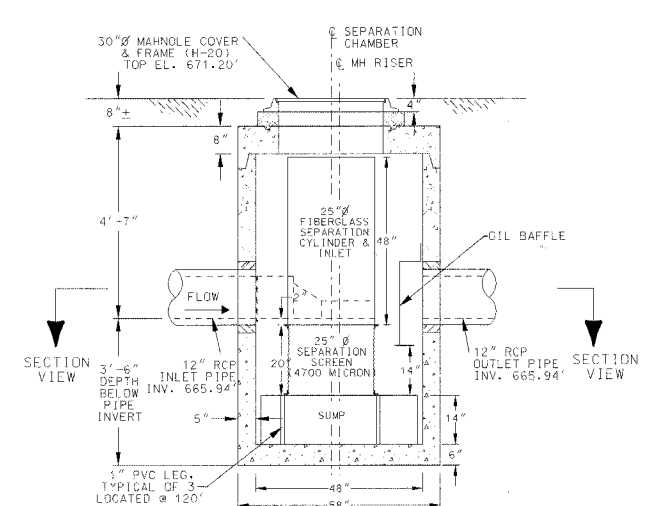
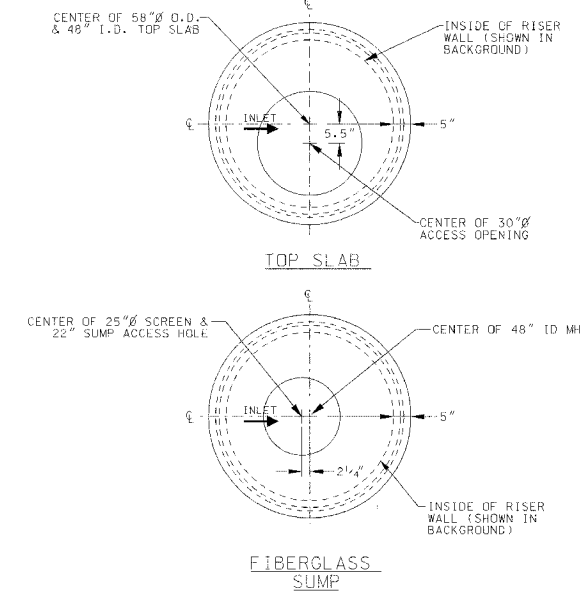
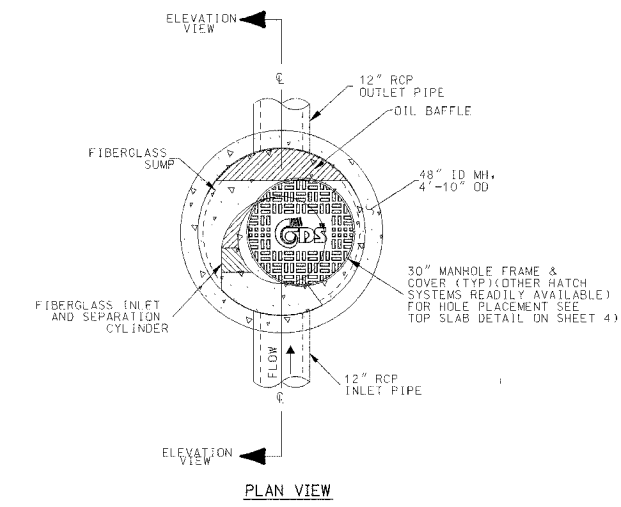


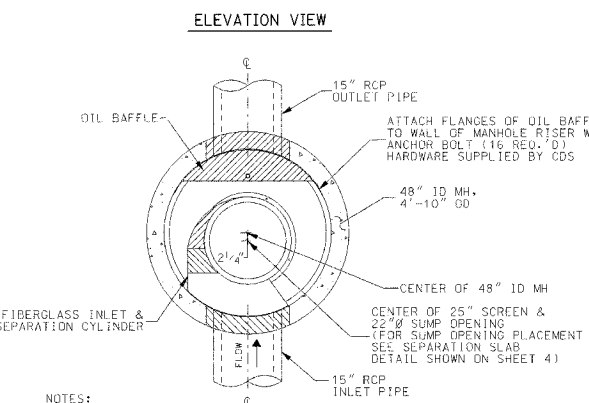
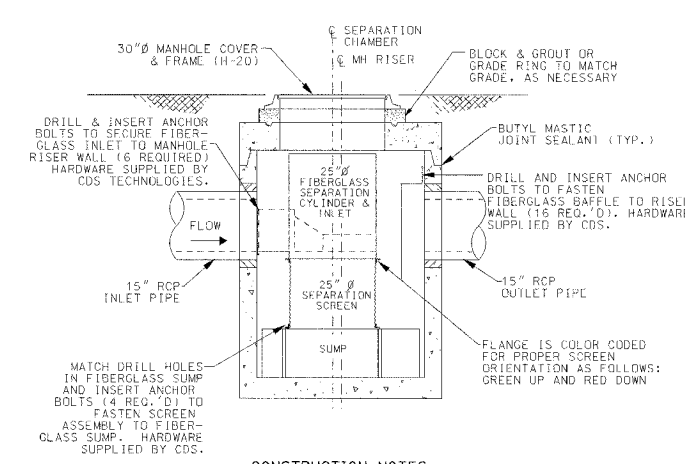
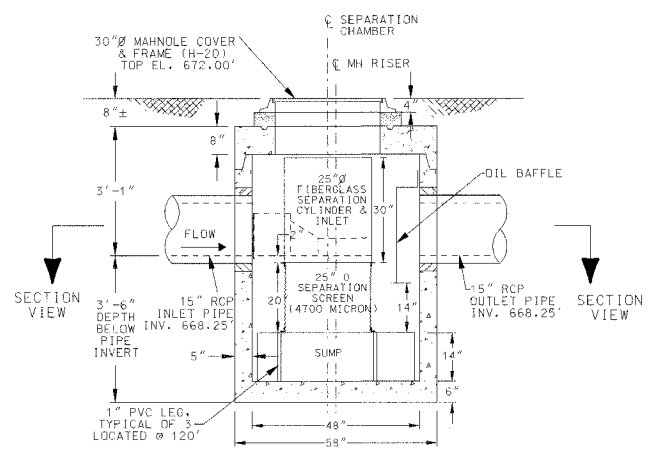
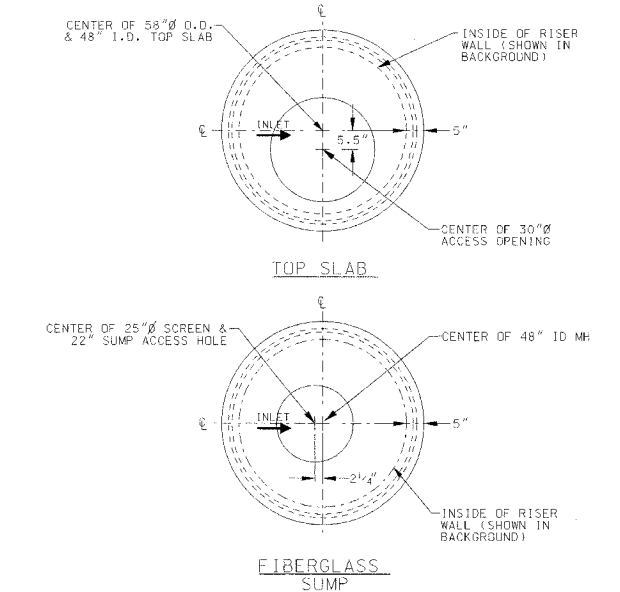
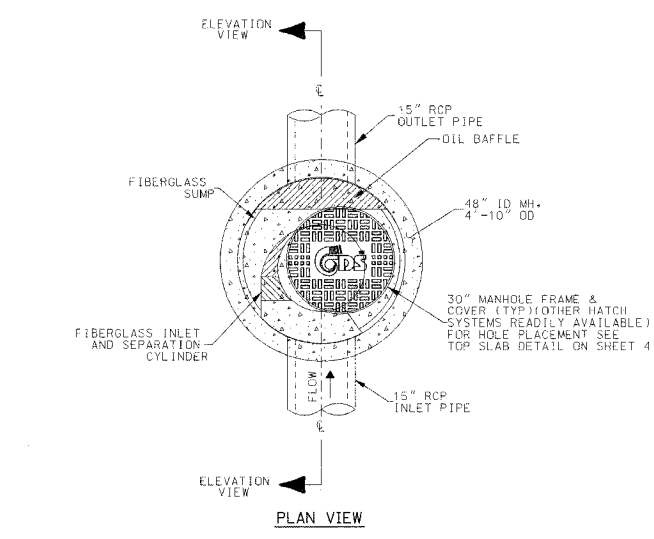
F.A. RTE.	SECTION	COUNTY	TOTAL SHEETS	SHEET NO.
2666	00-00254-01-BR	LAKE	70	59
STA. N/A	TO STA. N/A			
FED. ROAD DIST. NO. ILLINOIS FED. AID PROJECT				

PROJECT NO. BHM-8003(213)
CONTRACT NO. 83875



- NOTES:
1. ALL CONCRETE COMPONENTS SHALL BE CONSTRUCTED PER ASTM C-478.
 2. ALL CONCRETE SHALL HAVE A MINIMUM COMPRESSIVE STRENGTH OF 4,000 PSI.

TREATMENT STRUCTURE NO. 1:
CDS MODEL PMSU20_15_4, 0.76 CFS TREATMENT CAPACITY
STORM WATER TREATMENT UNIT
(RIGHT-HANDED CONFIGURATION)



- NOTES:
1. ALL CONCRETE COMPONENTS SHALL BE CONSTRUCTED PER ASTM C-478.
 2. ALL CONCRETE SHALL HAVE A MINIMUM COMPRESSIVE STRENGTH OF 4,000 PSI.

TREATMENT STRUCTURE NO. 2:
CDS MODEL PMSU20_15_4, 0.79 CFS TREATMENT CAPACITY
STORM WATER TREATMENT UNIT
(RIGHT-HANDED CONFIGURATION)

REVISIONS	
NAME	DATE

ILLINOIS DEPARTMENT OF TRANSPORTATION
CONSTRUCTION DETAILS
BUFFALO GROVE ROAD

SCALE: VERT.: N.T.S.
HORIZ.: N.T.S.
DATE: 7/21/06
DRAWN BY: SNH
CHECKED BY: PWK

DATE	BY	REVISION

DATE	BY	REVISION

L:\LAKECO\0220113\drawings\details\DETAIL 1.dgn