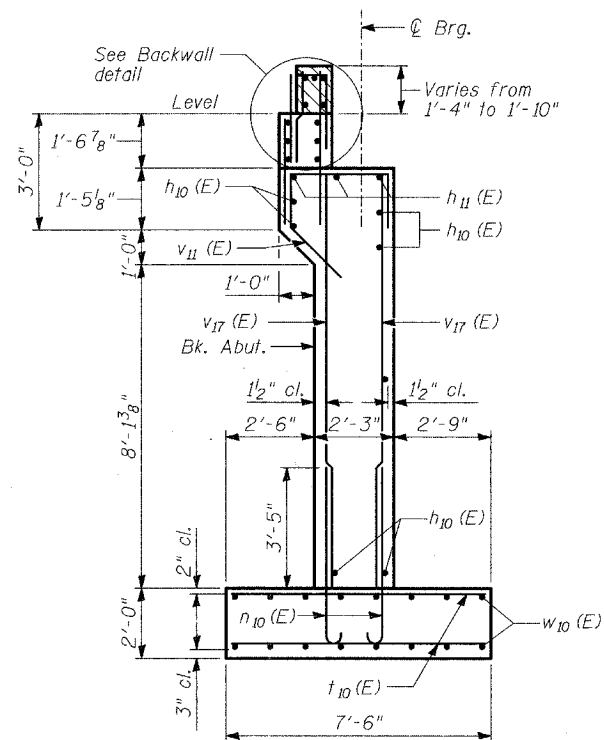
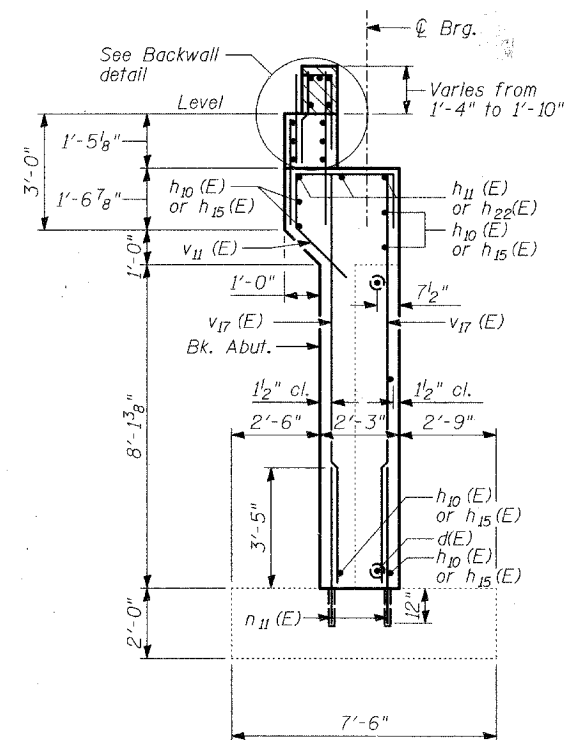


STATE OF ILLINOIS
DEPARTMENT OF TRANSPORTATION

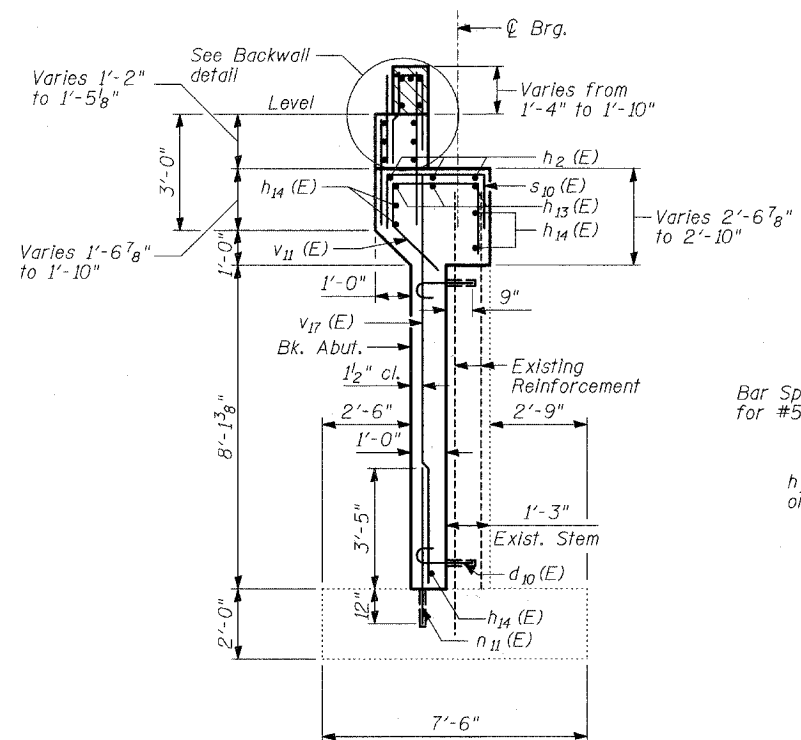
ROUTE NO.	SECTION	COUNTY	TOTAL SHEETS	SHEET	SHEET NO. - 24 39 - SHEETS
1545	*	DUPAGE	97	45	
FED. ROAD DIST. NO.	ILLINOIS	FED. AID PROJECT-	CONTRACT NO. 83961		



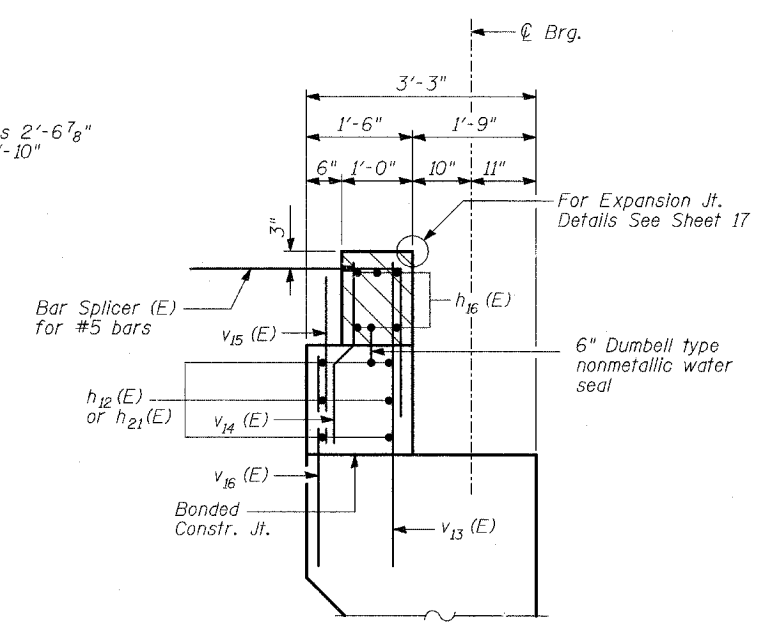
SECTION A-A



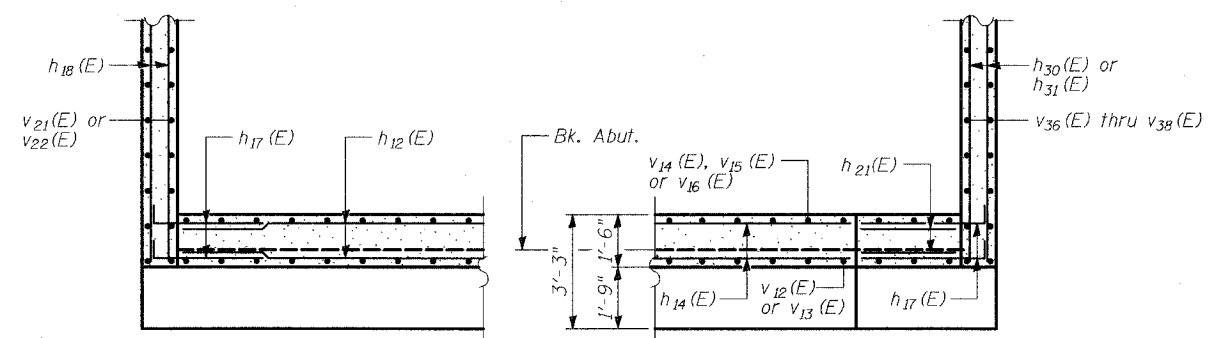
SECTION B-B



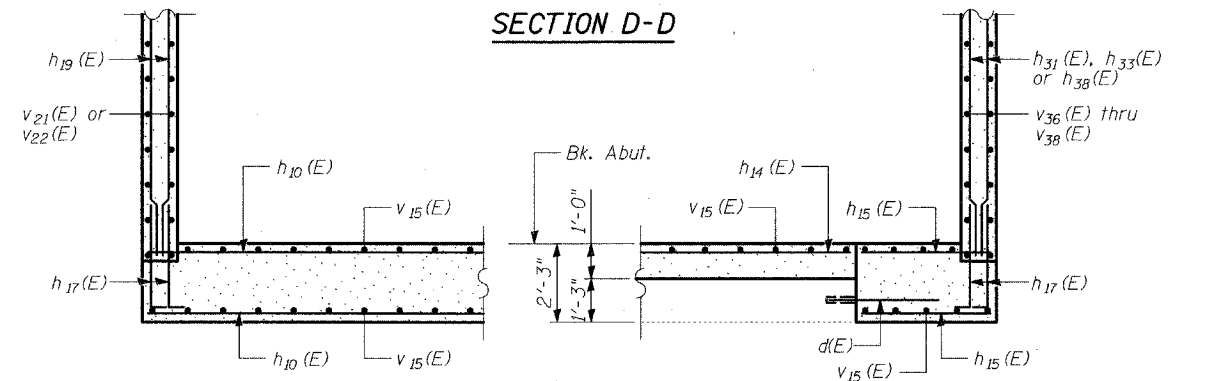
SECTION C-C



BACKWALL DETAIL



SECTION D-D



SECTION E-E

NOTE:
1. Hatched area to be poured after Superstructure falsework has been removed. Quantity of Concrete included with Concrete Superstructure.

TYLIN INTERNATIONAL

DESIGNED	- PL
CHECKED	- SP
DRAWN	- PL
CHECKED	- SP

**WEST ABUTMENT
SECTIONS AND DETAILS**

BAILEY ROAD OVER THE
WEST BRANCH OF THE DUPAGE RIVER
FAU 1545
SECTION 00-00115-00-BR STA. 2+99.15
DUPAGE COUNTY
S.N. 022-3028