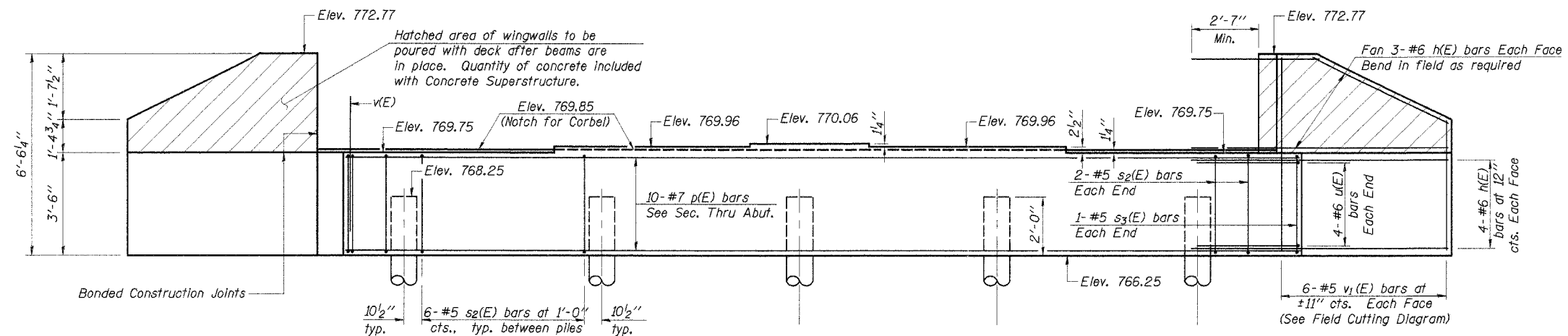
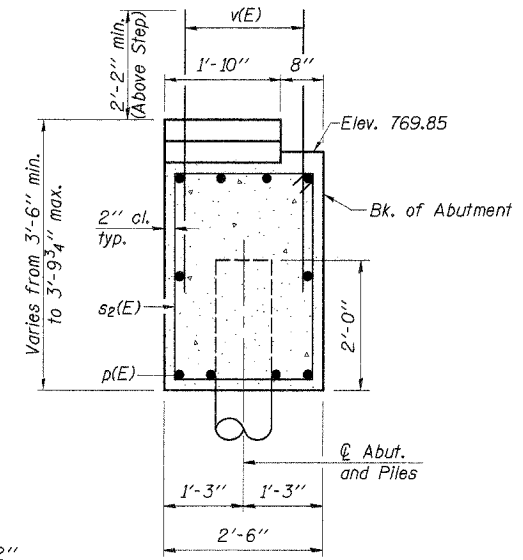


Notes: Pour steps monolithically with cap.
Reinforcement bars designated (E)
shall be epoxy coated.



ELEVATION
(Looking East)



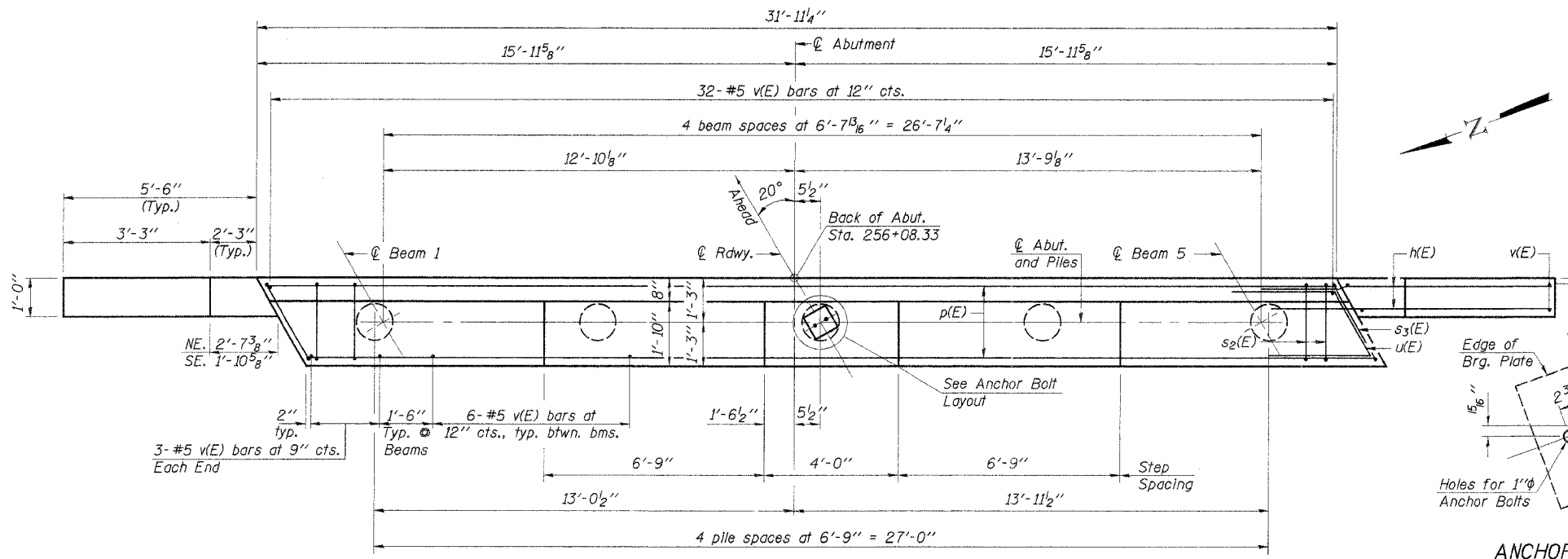
SEC. THRU ABUT.

PILE DATA

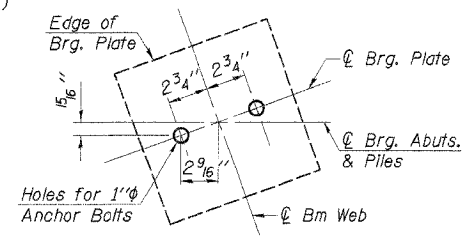
Type: Metal Shell 12"
Capacity: 50 Ton/Pile
Est. Length: 38 Ft/Pile
No. Required: *5
*Includes one test pile to be driven in a permanent location at the East Abutment.

BILL OF MATERIAL

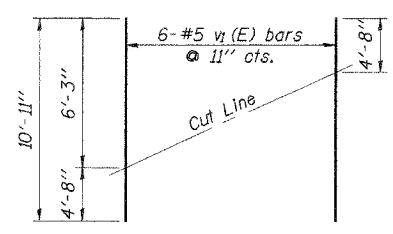
Bar	No.	Size	Length	Shape
h(E)	28	#6	8'-0"	—
p(E)	10	#7	31'-7"	—
s2(E)	28	#5	11'-7"	□
s3(E)	2	#5	11'-11"	□
u(E)	8	#6	12'-3"	∩
v(E)	62	#5	4'-4"	—
v1(E)	24	#5	10'-11"	—
Concrete Structures		Cu. Yd.	11.9	
Reinforcement Bars, Epoxy Coated		Pound	2,050	
Structure Excavation		Cu. Yd.	83	
Furnishing Metal Pile Shells 12"		Feet	152	
Driving & Filling Shells		Feet	152	
Test Pile Metal Shell		Each	1	
Protective Coat		Sq. Yd.	5	
Porous Granular Embankment (Special)		Cu. Yd.	38	
Geocomposite Wall Drain		Sq. Yd.	24	
Pipe Underdrains for Structures 4"		Foot	70	



PLAN

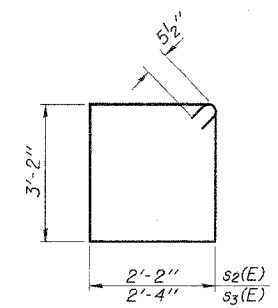


ANCHOR BOLT LAYOUT

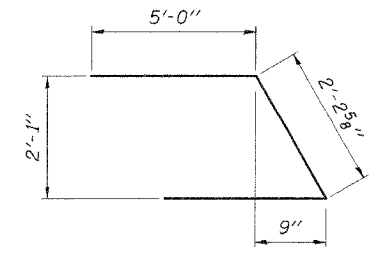


FIELD CUTTING DIAGRAM

Order v1(E) full length. Cut as shown and use remainder of bars in opposite face.



BARS s2(E) & s3(E)



BAR u(E)

DESIGNED	A.R.K.
CHECKED	S.F.M. & F.J.S.
DRAWN	S.A.P.
CHECKED	A.R.K. & F.J.S.
9-01-03	

EAST ABUTMENT
SECTION 04-00163-00-BR
F.A.S. ROUTE 60 - C.H. 5
STEPHENSON COUNTY
STATION 255+30

4440 ASH GROVE SPRINGFIELD, IL 62711 (217) 793-8600 oasinc@insightbb.com	OZYURT AND STONE, INC. CONSULTING ENGINEERS	JOB NO.: 0527 FILE: 0527ABUT2.DGN DATE: 03/07/06
---	---	--