

ROUTE NO.	SECTION	COUNTY	TOTAL SHEETS	SHEET NO.
C.H. 5	04-00163-00-BR	STEPHENSON	29	23
		ILLINOIS		

Sheet 18 of 20

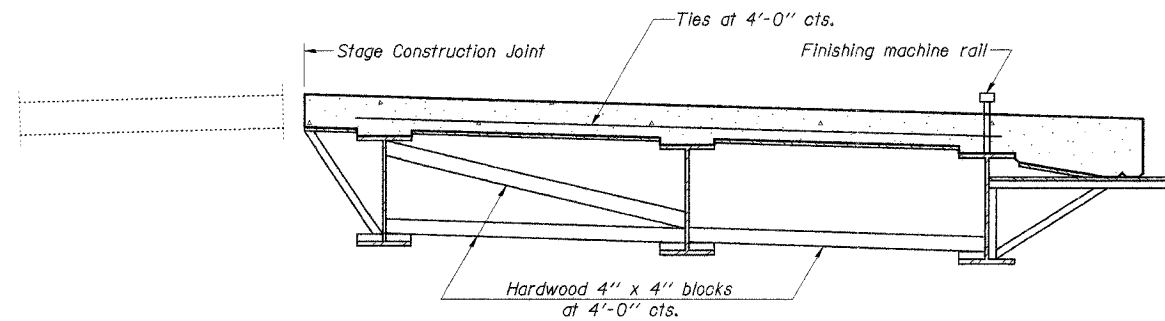
CONTRACT NO. 85391

When cantilever forming brackets are used, the work shall be done according to Article 503.06, except as modified below and in the details shown on this sheet.

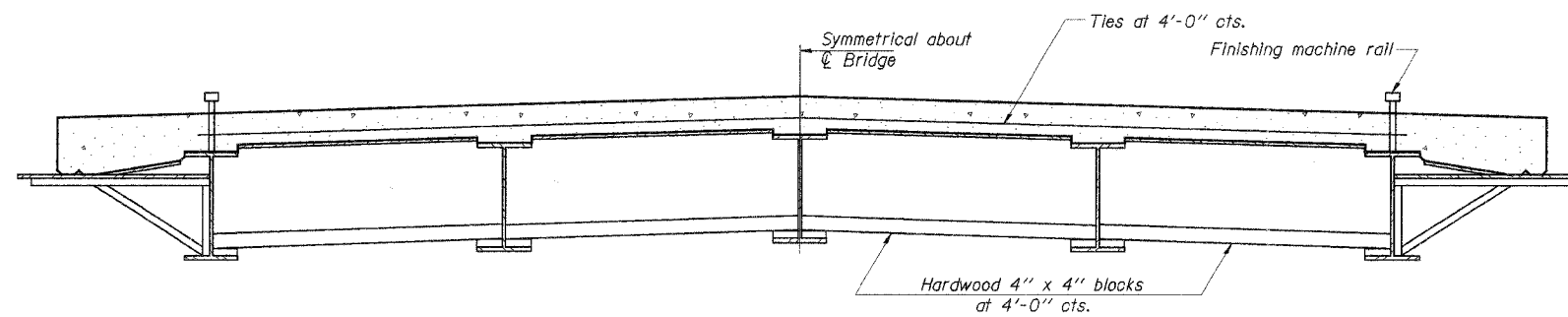
The finishing machine rails shall be placed on the top flange of the exterior beams.

The beams or girders, supporting cantilever forming brackets, shall be tied together at 4 foot intervals.

For Standard construction, or Stage Construction the Hardwood bracing materials shall be placed as shown between webs of beams in each bay.



**FORM BRACES FOR
STAGE CONSTRUCTION**



**FORM BRACES FOR
STANDARD CONSTRUCTION**

DESIGNED	A.R.K.
CHECKED	S.F.M. & F.J.S.
DRAWN	S.A.P.
CHECKED	A.R.K. & F.J.S.

9-01-03

CANTILEVER FORMING BRACKET

SECTION 04-00163-00-BR
F.A.S. ROUTE 60 - C.H. 5
STEPHENSON COUNTY
STATION 255+30

4440 ASH GROVE
SPRINGFIELD, IL 62711
(217) 793-8600
oasinc@insightbb.com

OZYURT AND STONE, INC.
CONSULTING ENGINEERS

JOB NO.: 0527
FILE: 0527CBRCK.DWG
DATE: 03/07/06