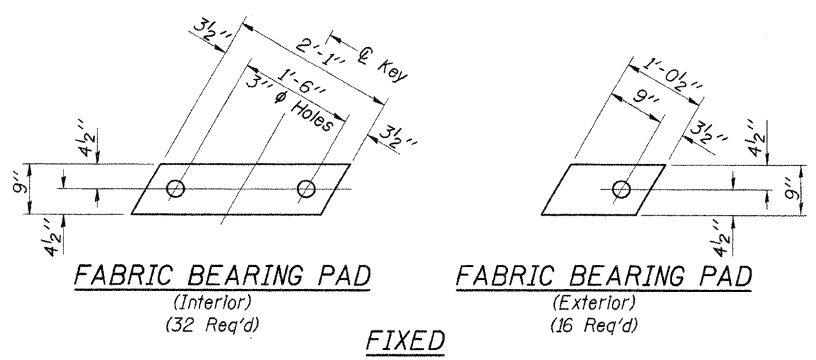
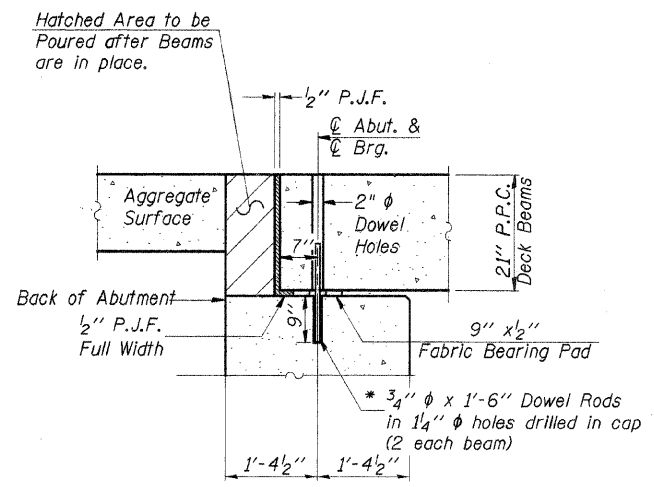


ROUTE NO.	SECTION	COUNTY	TOTAL SHEETS	SHEET NO.
T.R. 146	03-00295-00-BR	IROQUOIS	16	5
ROAD DIST.	ILLINOIS	VILLAGE OF CISSNA PARK		

CONTRACT NO. 87312



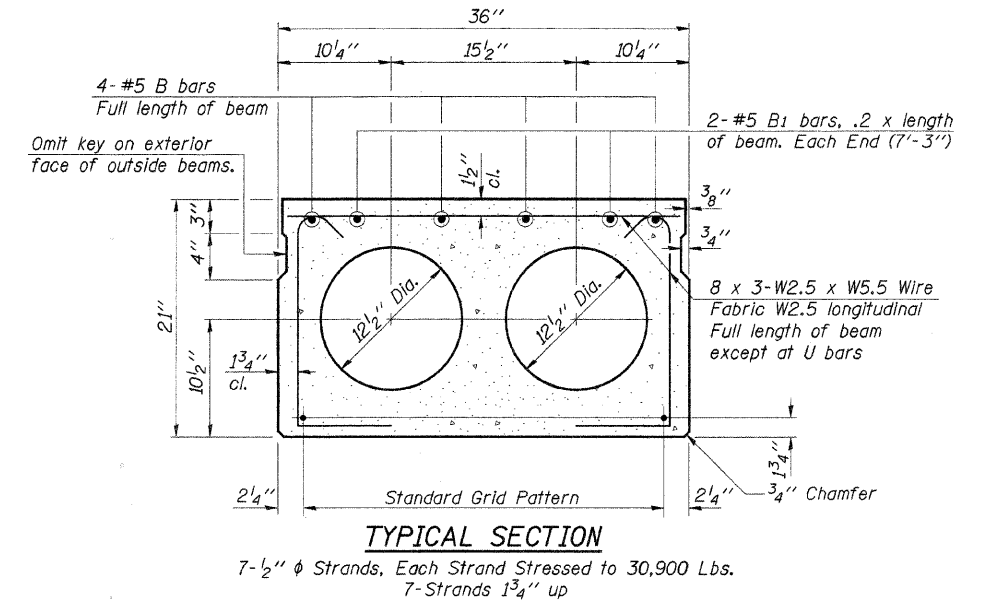
FIXED



SEC. THRU ABUT.

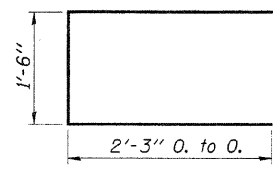
(Rt. L's to Abutment)

* Dowel Rods to be grouted after beams are in place and allowed to cure (Min. 24 hrs.) prior to grouting the shear keys.

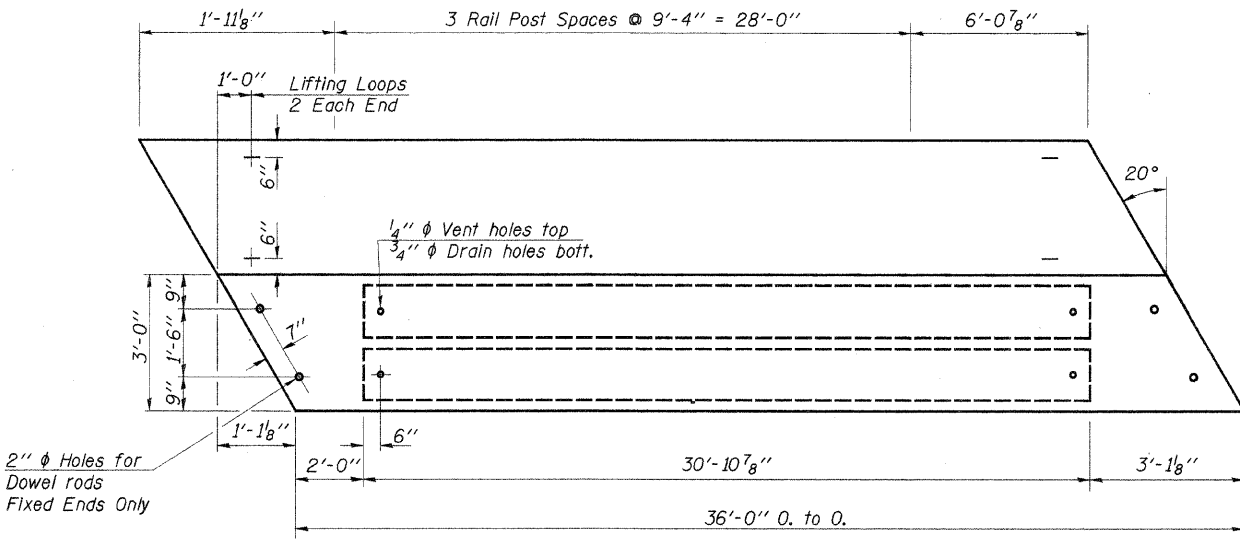


TYPICAL SECTION

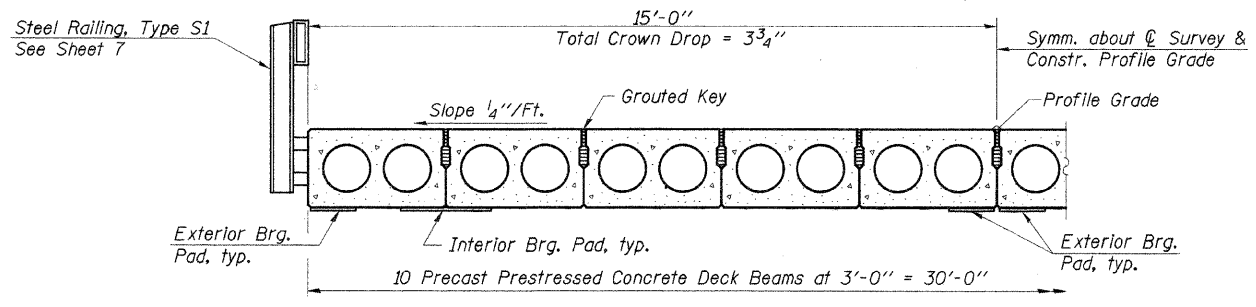
Note:
Place strands symmetrically about centerline of beam.



BAR U1



PLAN

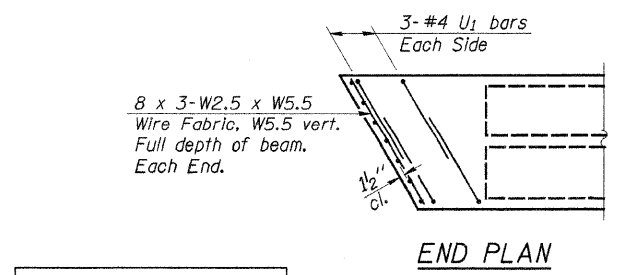


HALF CROSS SECTION

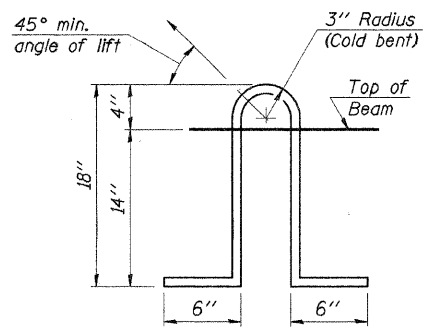
BILL OF MATERIAL

Item	Unit	Quantity
Precast Prestressed Concrete Deck Beams (21" Depth)	Sq. Ft.	2160

Estimated Total Weight (One Beam) = 21,150 Pounds



END PLAN



LIFTING LOOP DETAIL

NOTES

Prestressing steel shall be uncoated high strength, low relaxation 7-wire strand, Grade 270. The nominal diameter shall be 1/2 inch and the nominal cross-sectional area shall be 0.153 sq. in. Lifting loops shall be 2-1/2 inch diameter 270 ksi strands, as shown. The 1 inch diameter rods in the transverse tie assembly shall be tightened to a snug fit and the threads set. Pockets that receive transverse tie bar on outside shall be filled with grout after transverse tie assembly is in place. Non prestressing steel shall conform to AASHTO M-31, M-42 or M-53 Grade 60. The bearing seat surfaces shall be adjusted by shimming to assure firm and even bearing. Two 1/8 inch fabric adjusting shims of the dimensions of the Exterior Bearing Pad shall be provided for each bearing. (96 Req'd) Keyway surfaces shall be cleaned to remove form oil or other bond breaking material prior to shipment of the beams. Cleaning shall be done by sandblasting the keyway areas between top of the beam and the bottom edge of the key. Corrosion Inhibitor, as covered in the Special Provisions, shall be used in the concrete for precast prestressed concrete deck beams. Required Release Strength, f'cl, shall be 4,000 p.s.i. See Special Provisions for review and distribution of shop drawings. Rail post anchor devices shall be cast into outside beam as elsewhere specified.

DESIGNED	S.F.M.
CHECKED	F.J.S.
DRAWN	S.A.P. & J.P.S.
CHECKED	S.F.M.

PD-3-R 9-1-03

SUPERSTRUCTURE SPANS 1 & 3

SECTION 03-00295-00-BR
VILLAGE OF CISSNA PARK
IROQUOIS COUNTY
STATION 19+11

4440 ASH GROVE SPRINGFIELD, IL 62711 (217) 793-8600 www.fehr-graham.com	FEHR-GRAHAM & ASSOCIATES, LLC ENGINEERING AND SCIENCE CONSULTANTS FERRIS, ILL. ROCKFORD, ILL. ROCKFORD, ILL. MOHAWK, ILL. SPRINGFIELD, ILL.	JOB NO.: 9709 FILE: SUPER.DGN DATE: 06/14/05
--	--	--