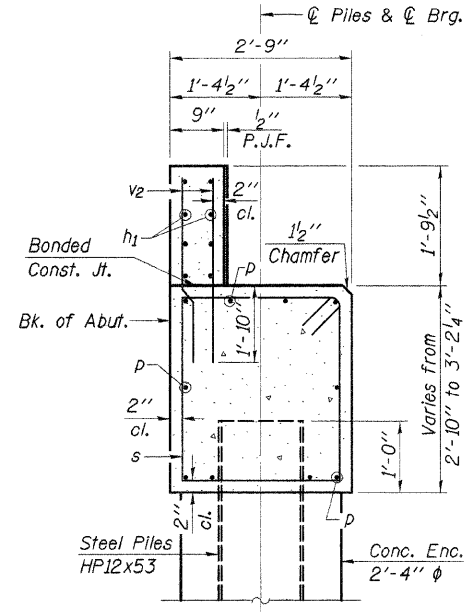


Note: After beams are in place and dowel rods grouted, the backwall and the portions of the wingwalls above the Bonded Construction Joint shall be poured.

ELEVATION
(Looking South)

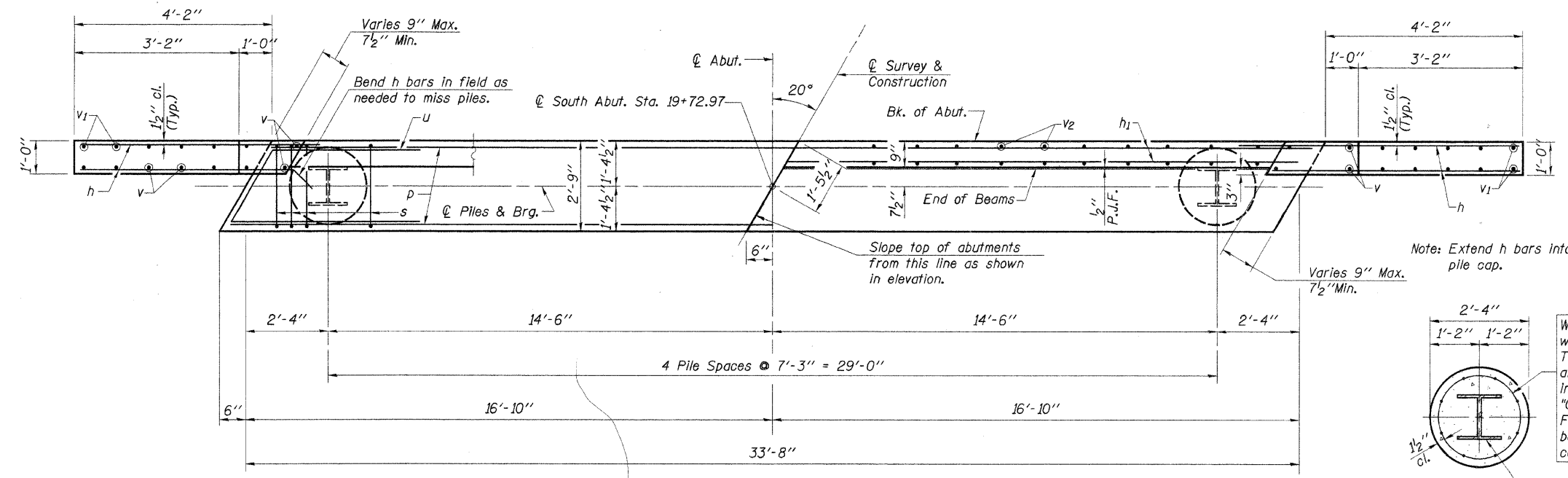
SECTION A-A



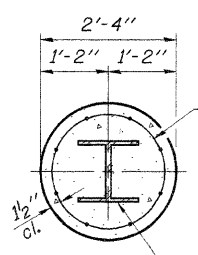
SECTION THRU ABUT.

SOUTH ABUTMENT
BILL OF MATERIAL

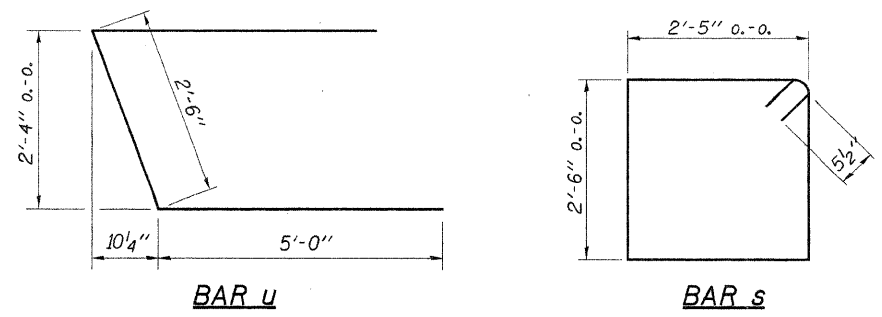
Bar	No.	Size	Length	Shape
h	28	#5	6'-3"	—
h ₁	12	#4	17'-9"	—
p	10	#7	33'-4"	—
s	34	#5	10'-9"	□
u	8	#6	12'-6"	▤
v	16	#4	4'-4"	—
v ₁	12	#4	3'-9"	—
v ₂	64	#4	3'-5"	—
Concrete Structures		Cu. Yd.	13.4	
Reinforcement Bars		Pound	1760	
Name Plate		Each	1	
Steel Piles HP12x53		Foot	225	
Concrete Encasement		Cu. Yd.	2.4	



PLAN



PILE DATA



PILE DATA

Type..... Steel Piles HP12x53
 No. Req'd..... 5
 Design Capacity..... 40 Tons/Pile
 Drive To..... 60 Ton/Pile
 Est. Length..... 45 Feet/Pile

DESIGNED	S.F.M.
CHECKED	F.J.S.
DRAWN	S.A.P. & J.P.S.
CHECKED	S.F.M.

SOUTH ABUTMENT

SECTION 03-00295-00-BR
 VILLAGE OF CISSNA PARK
 IROQUOIS COUNTY
 STATION 19+11