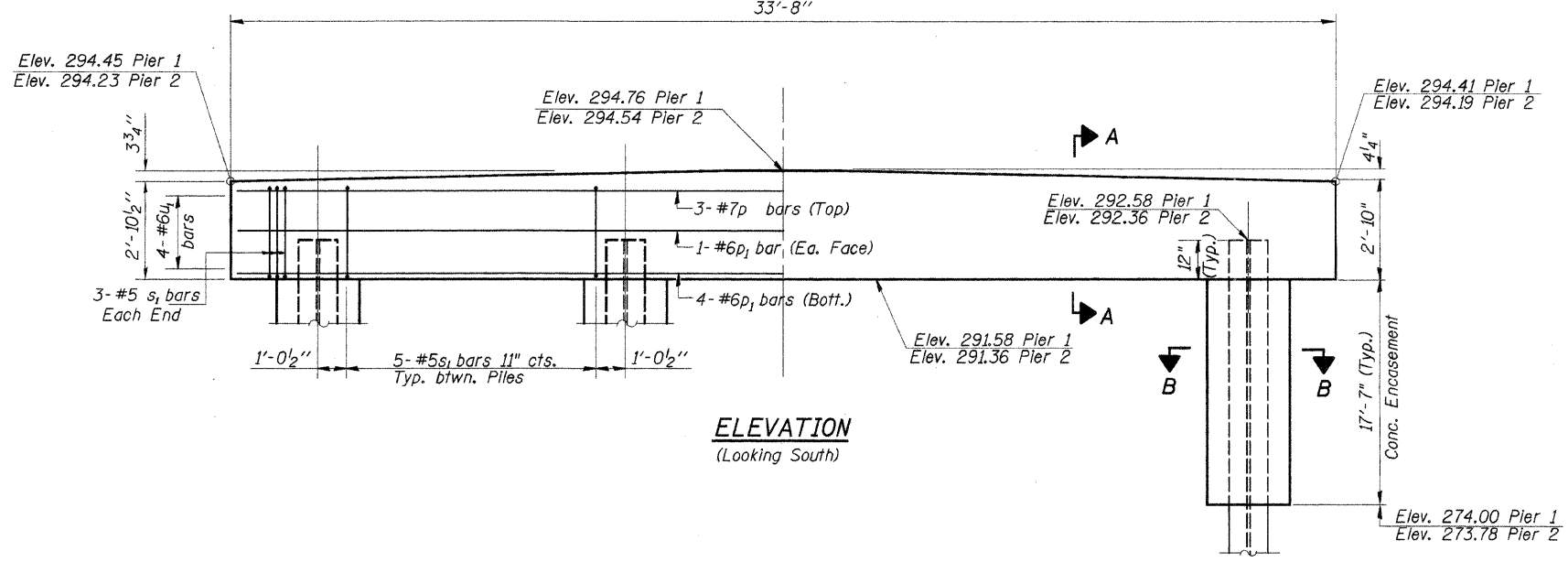
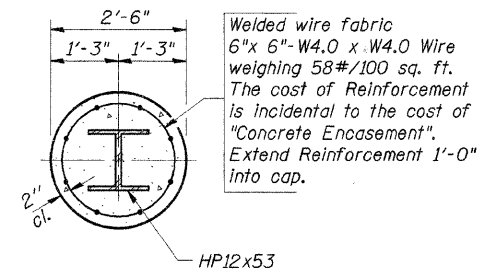
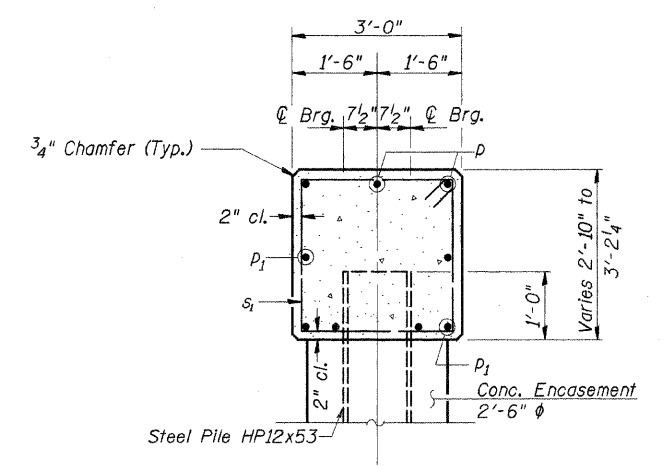
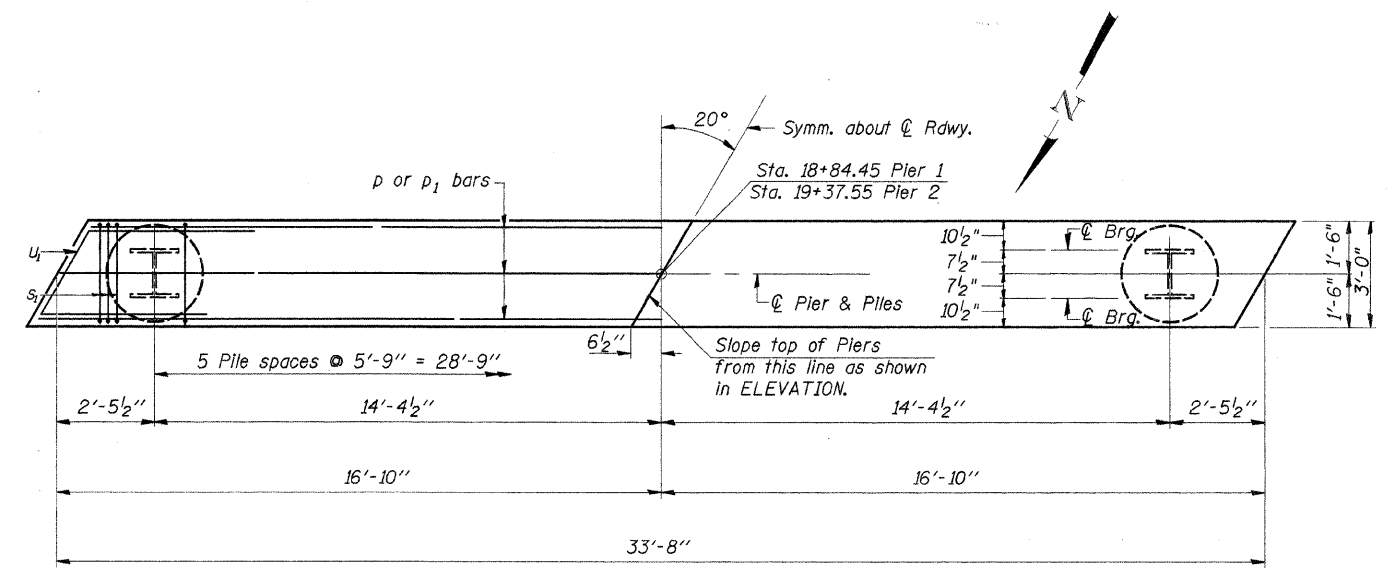


ROUTE NO.	SECTION	COUNTY	TOTAL SHEETS	SHEET NO.
T.R. 146	03-00295-00-BR	IROQUOIS	16	10
ROAD DIST.	ILLINOIS	VILLAGE OF CISSNA PARK		

CONTRACT NO. 87312

Note: All edges shall have standard 3/4" chamfer



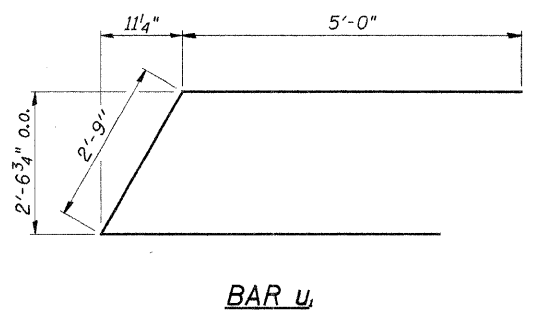
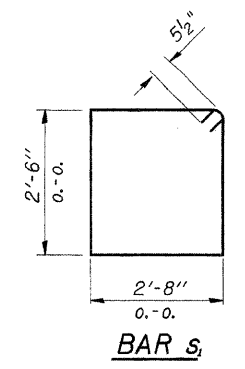
PILE DATA

Type Steel Piles HP12x53
 Design Capacity 42 Tons/Pile
 Drive To 63 Tons/Pile
 Est. Length 50 Feet/Pile
 No. Req'd(2 Piers) 12*

*Includes one Test Pile to be driven in a permanent location, at Pier 2.

BILL OF MATERIAL - 2 PIERS

BAR	NO.	SIZE	LENGTH	SHAPE
p	6	#7	33'-4"	—
p ₁	12	#6	33'-4"	—
s ₁	62	#5	11'-3"	□
u ₁	16	#6	12'-9"	▤
Concrete Structures			Cu. Yd.	22.6
Reinforcement Bars			Pound	2040
Steel Piles HP12x53			Foot	550
Test Pile HP12x53			Each	1
Conc. Encasement			Cu. Yd.	38.3



DESIGNED	S.F.M.
CHECKED	F.J.S.
DRAWN	S.A.P. & J.P.S.
CHECKED	S.F.M.

PIERS

SECTION 03-00295-00-BR
 VILLAGE OF CISSNA PARK
 IROQUOIS COUNTY
 STATION 19+11

4440 ASH GROVE SPRINGFIELD, IL 62711 (217) 793-8600 www.fehr-graham.com	FEHR-GRAHAM & ASSOCIATES, LLC ENGINEERING AND SCIENCE CONSULTANTS	JOB NO.: 9709 FILE: PIER-RT.DGN DATE: 06/14/05
--	---	--