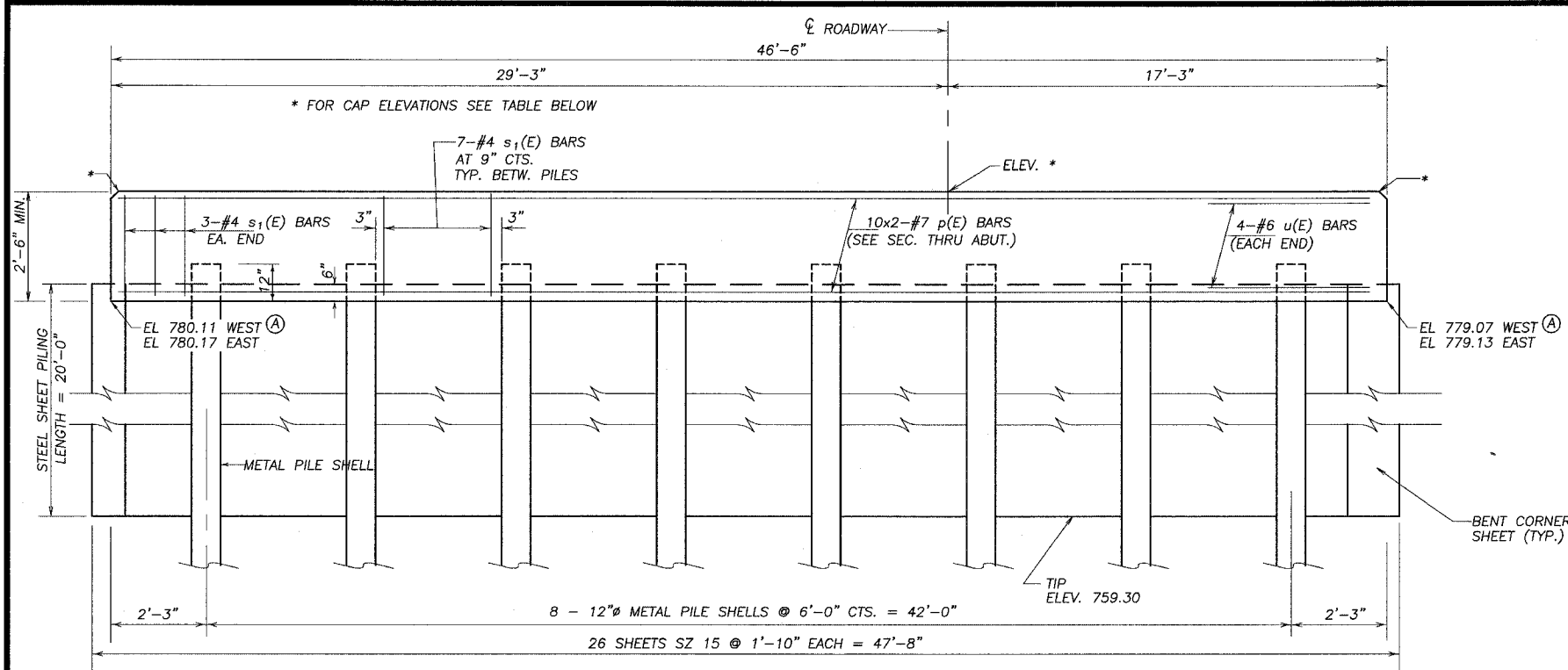


FAS ROUTE NO.	SEC	COUNTY	TOTAL SHEETS	SHEET NO.
—	*	DEKALB	21	17

ILLINOIS PROJECT BR-1122(107)

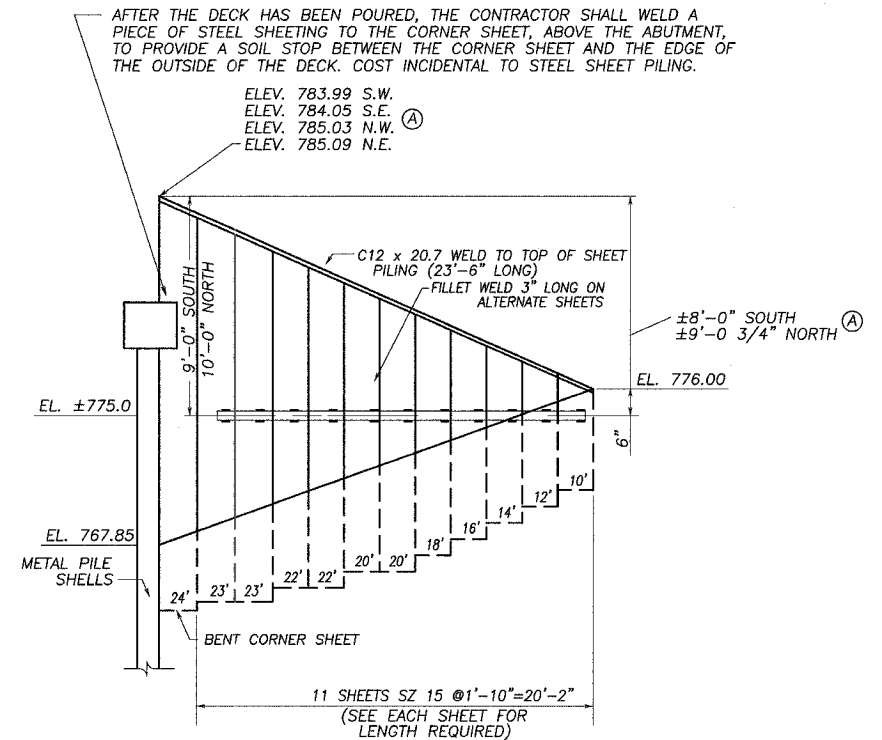
\* 04-00206-00-BR BR. SHEET 3 OF 6

CONTRACT NO. 87316

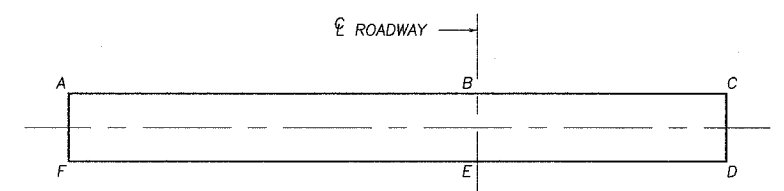


**ELEVATION**

ALL HORIZONTAL DIMENSIONS ARE ALONG CENTERLINE OF CAP  
\*FOR CAP ELEVATIONS, SEE TABLE BELOW



**WINGWALL ELEVATION**

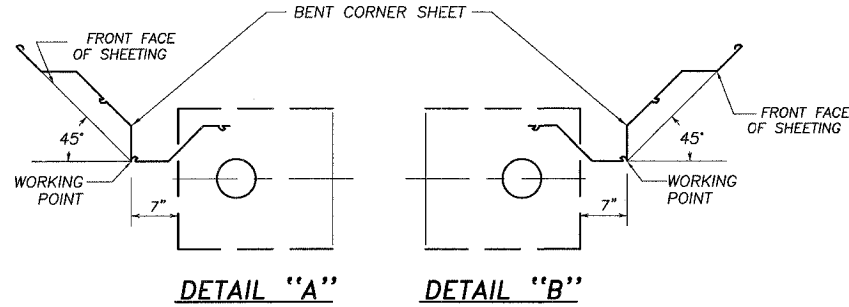


EAST ABUTMENT SHOWN, WEST ABUTMENT OPPOSITE

LOCATION	ELEV.	A	B	C	D	E	F
EAST ABUT.		782.67	782.01	781.63	781.63	782.01	782.67
WEST ABUT.		782.61	781.95	781.57	781.57	781.95	782.61

**ELEVATION TOP OF ABUTMENT CAP**

(LOOKING EAST)



**DETAIL "A"**

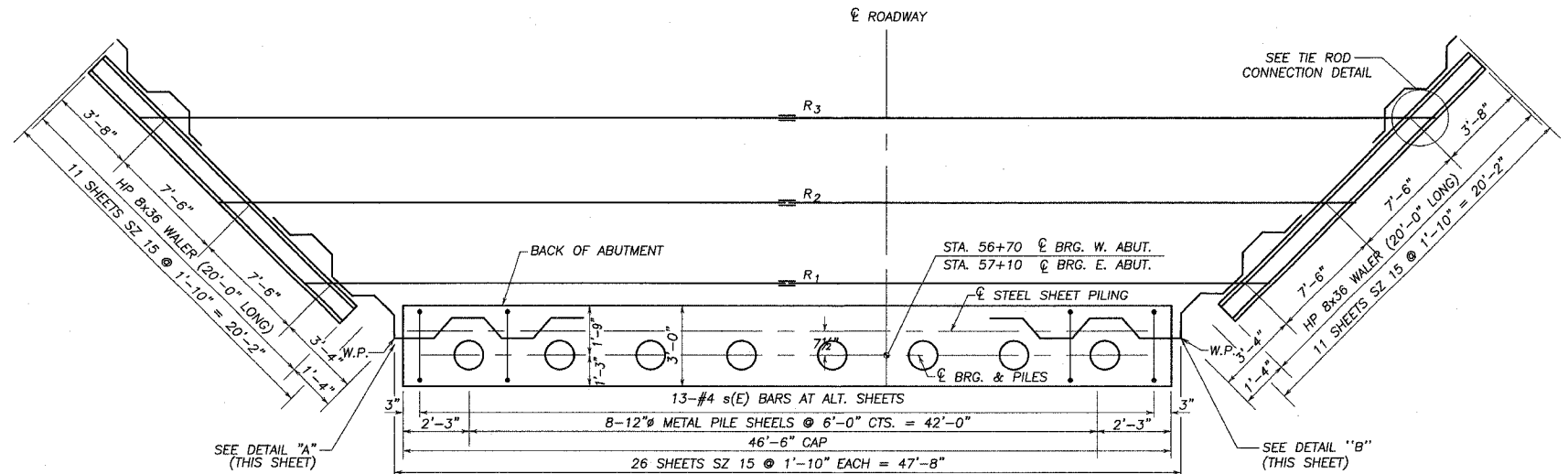
**DETAIL "B"**

**BILL OF MATERIAL - ABUTMENTS**

BAR	NO.	SIZE	LENGTH	SHAPE	
p(E)	40	#7	24'-9"	—	
s(E)	26	#4	6'-10"	⌋	
s1(E)	110	#4	9'-9"	⌋	
u(E)	16	#6	11'-7"	⌋	
CONCRETE STRUCTURES				CU. YD.	25.4
REINFORCEMENT BARS, EPOXY COATED				LBS.	3140
FURNISHING METAL PILE SHELLS - 12"				FOOT	583
TEST PILE METAL PILE SHELLS - 12"				EACH	1
STEEL SHEET PILING				SQ. FT.	3550
HARDWARE				LBS.	3084
FURNISHING AND ERECTING STRUCTURAL STEEL*				LBS.	4826

**PILE DATA**

TYPE : 12"Ø METAL PILE SHELLS  
CAPACITY : 80 KIPS MINIMUM  
NO. REQUIRED : 7+1 TEST PILE - WEST ABUT.  
8 EAST ABUT.  
EST. LENGTH: 41' WEST ABUT.  
37' EAST ABUT.  
MIN. PENETRATION 15' BELOW STEAMBED



**PLAN**

EAST ABUTMENT LOOKING EAST  
WEST ABUTMENT SIMILAR

**SUBSTRUCTURE - ABUTMENTS**  
SECTION 04-00206-00-BR  
CHERRY VALLEY ROAD  
DEKALB COUNTY  
S.N. 019-3061

9-21-07 REVISED CAP ELEVATIONS