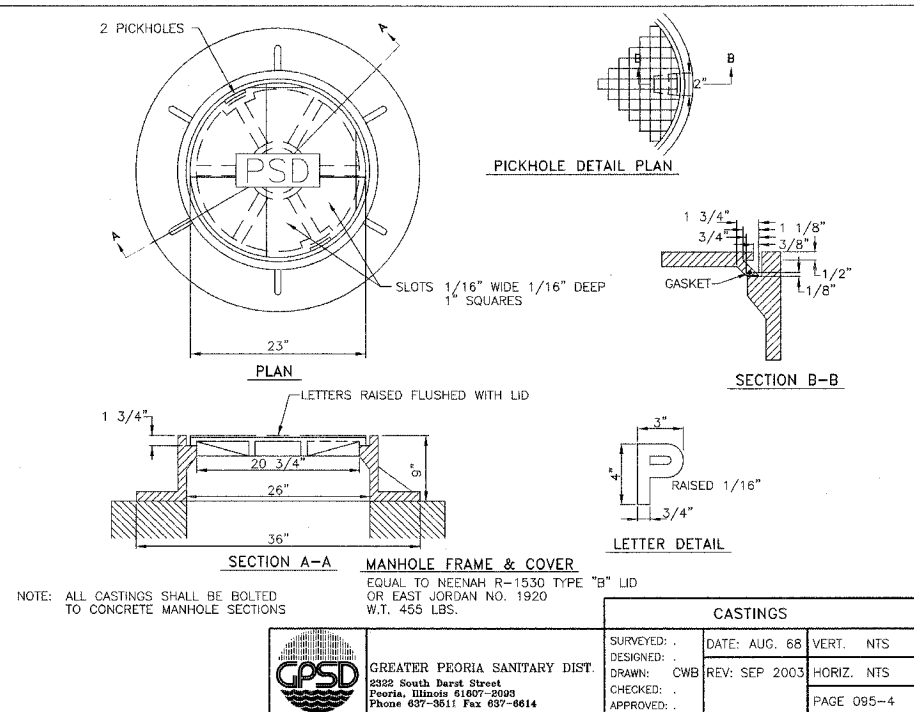
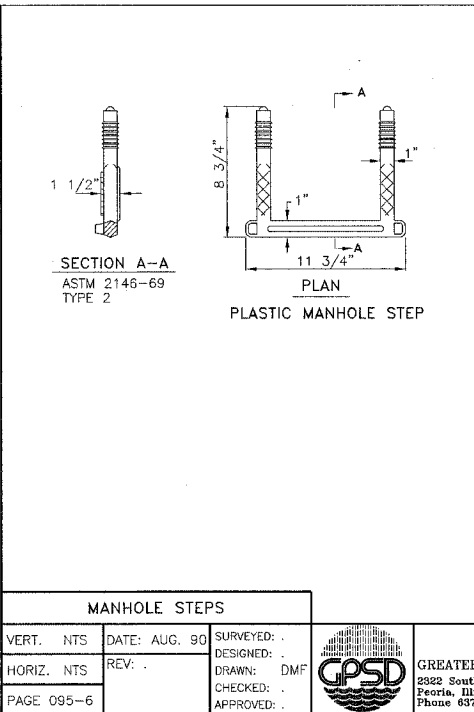


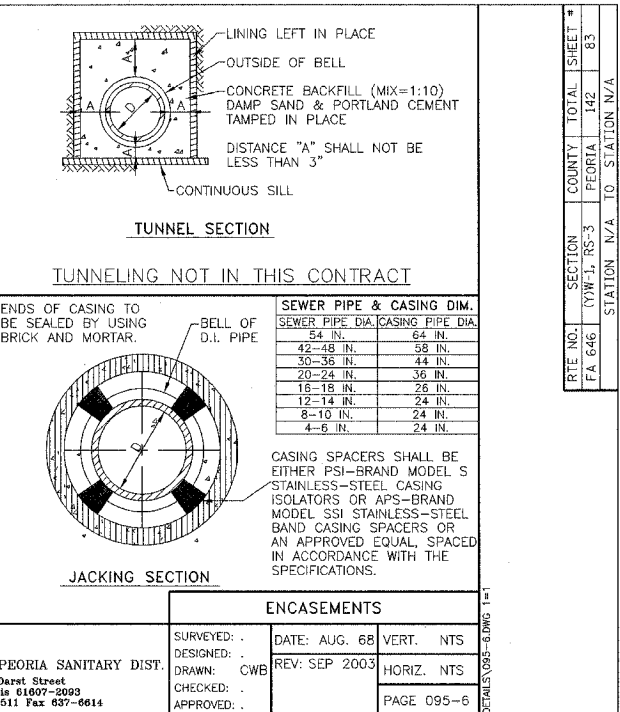
GREATER PEORIA SANITARY DIST.		SURVEYED: .	DATE: AUG. 68	VERT. NTS
2322 South Daret Street Peoria, Illinois 61607-2093 Phone 637-3511 Fax 637-6614		DESIGNED: .	REV: SEP 2003	HORIZ. NTS
CPSD		DRAWN: CWB	APPROVED: .	PAGE 095-1



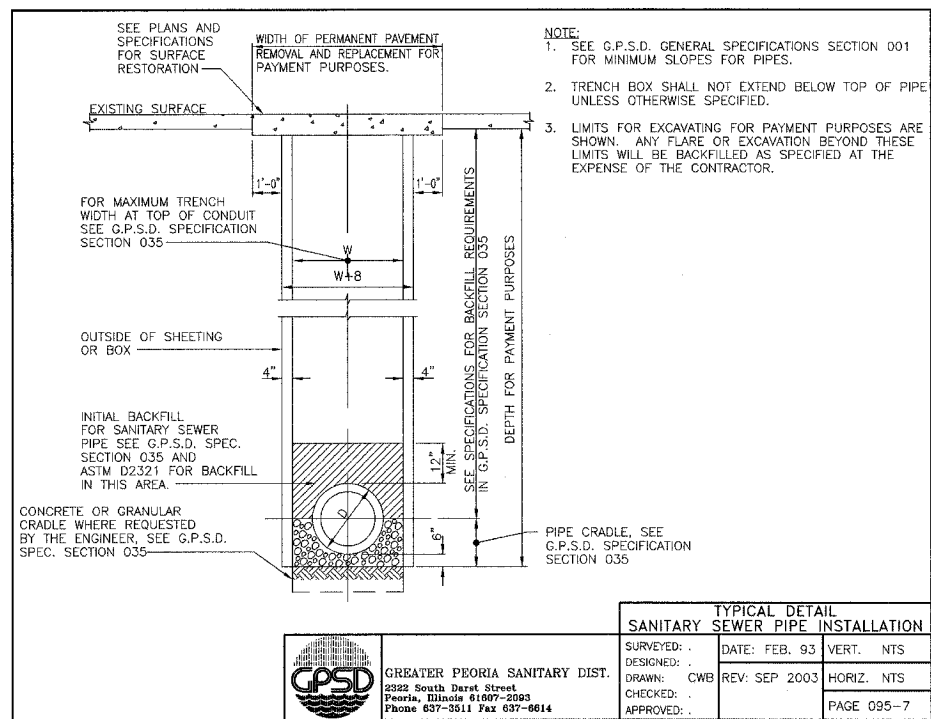
GREATER PEORIA SANITARY DIST.		SURVEYED: .	DATE: AUG. 68	VERT. NTS
2322 South Daret Street Peoria, Illinois 61607-2093 Phone 637-3511 Fax 637-6614		DESIGNED: .	REV: SEP 2003	HORIZ. NTS
CPSD		DRAWN: CWB	APPROVED: .	PAGE 095-4



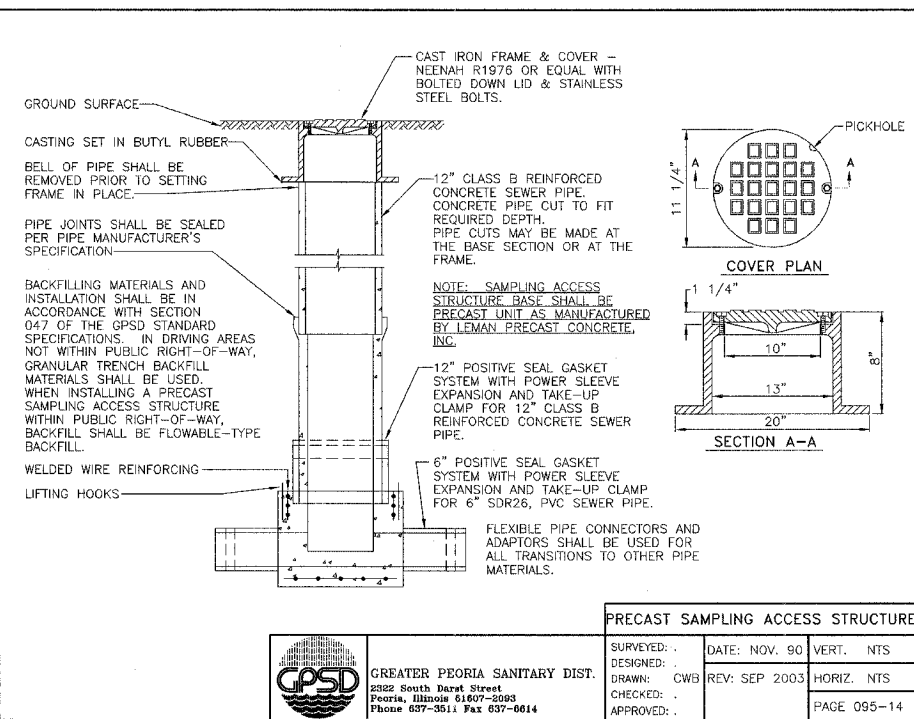
GREATER PEORIA SANITARY DIST.		SURVEYED: .	DATE: AUG. 90	VERT. NTS
2322 South Daret Street Peoria, Illinois 61607-2093 Phone 637-3511 Fax 637-6614		DESIGNED: .	REV: .	HORIZ. NTS
CPSD		DRAWN: DMF	APPROVED: .	PAGE 095-6



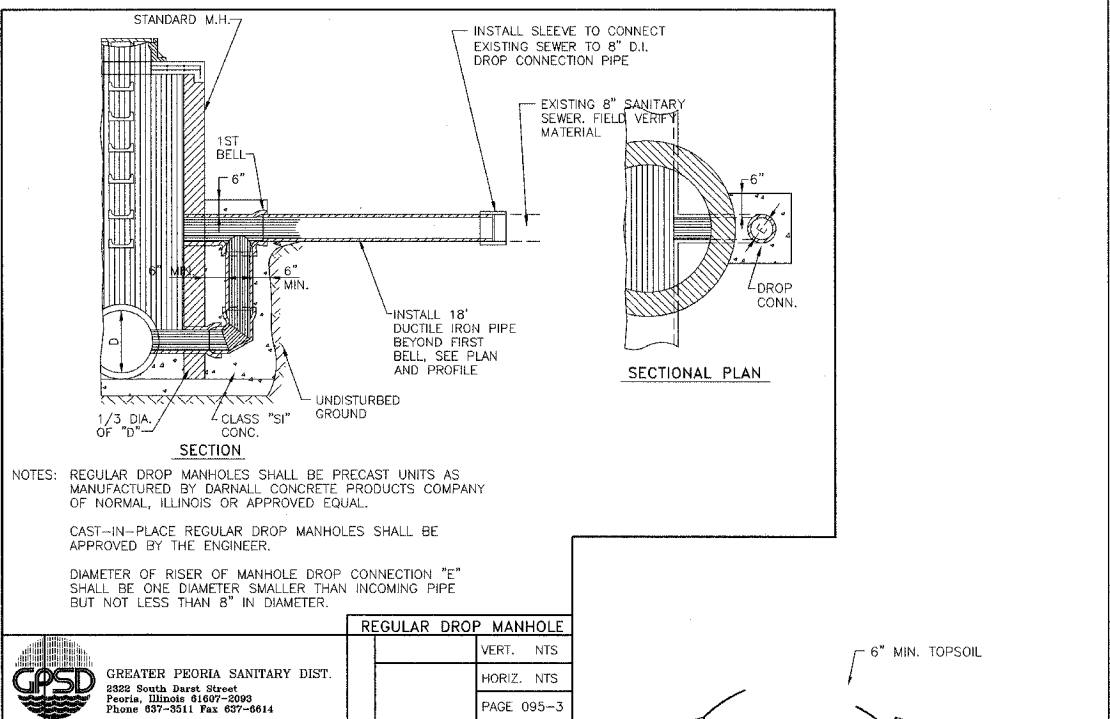
GREATER PEORIA SANITARY DIST.		SURVEYED: .	DATE: AUG. 68	VERT. NTS
2322 South Daret Street Peoria, Illinois 61607-2093 Phone 637-3511 Fax 637-6614		DESIGNED: .	REV: SEP 2003	HORIZ. NTS
CPSD		DRAWN: CWB	APPROVED: .	PAGE 095-8



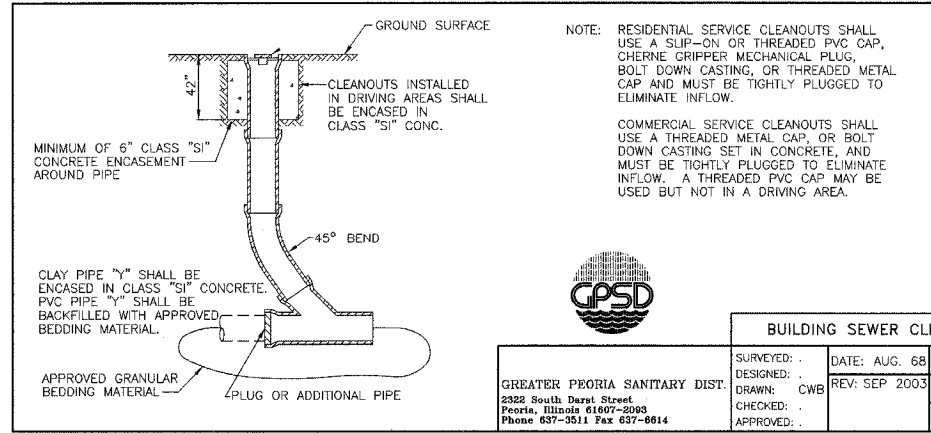
GREATER PEORIA SANITARY DIST.		SURVEYED: .	DATE: FEB. 93	VERT. NTS
2322 South Daret Street Peoria, Illinois 61607-2093 Phone 637-3511 Fax 637-6614		DESIGNED: .	REV: SEP 2003	HORIZ. NTS
CPSD		DRAWN: CWB	APPROVED: .	PAGE 095-7



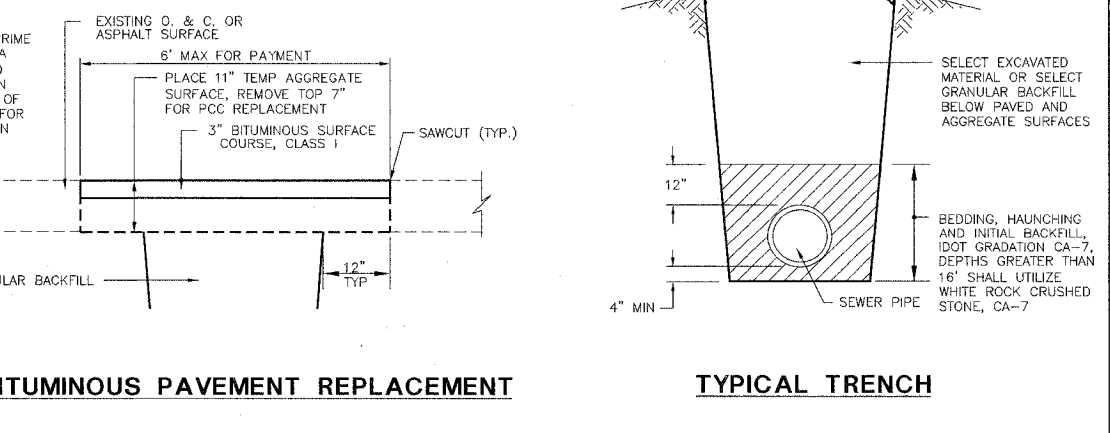
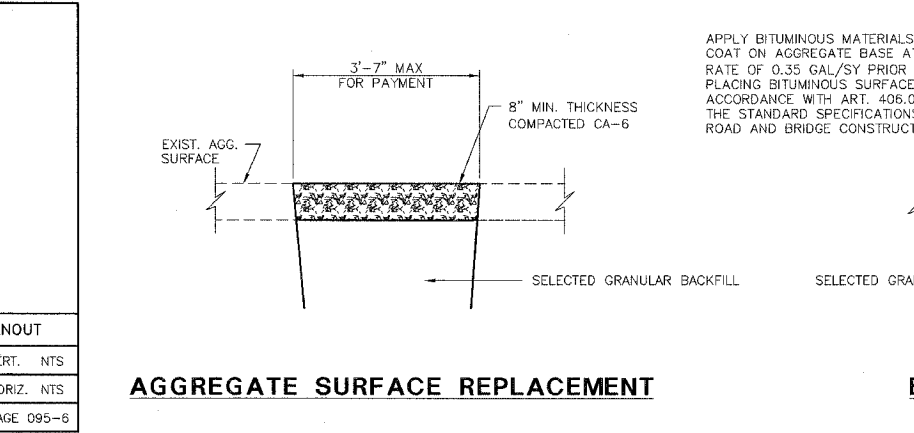
GREATER PEORIA SANITARY DIST.		SURVEYED: .	DATE: NOV. 90	VERT. NTS
2322 South Daret Street Peoria, Illinois 61607-2093 Phone 637-3511 Fax 637-6614		DESIGNED: .	REV: SEP 2003	HORIZ. NTS
CPSD		DRAWN: CWB	APPROVED: .	PAGE 095-14



GREATER PEORIA SANITARY DIST.		SURVEYED: .	DATE: .	VERT. NTS
2322 South Daret Street Peoria, Illinois 61607-2093 Phone 637-3511 Fax 637-6614		DESIGNED: .	REV: .	HORIZ. NTS
CPSD		DRAWN: .	APPROVED: .	PAGE 095-3



GREATER PEORIA SANITARY DIST.		SURVEYED: .	DATE: AUG. 68	VERT. NTS
2322 South Daret Street Peoria, Illinois 61607-2093 Phone 637-3511 Fax 637-6614		DESIGNED: .	REV: SEP 2003	HORIZ. NTS
CPSD		DRAWN: CWB	APPROVED: .	PAGE 095-6



REVISIONS		
NO.	ITEM	DATE
1	REVISED AS PER GPSD & IDOT	3/8/06
2	ADD SERVICE BACK TO PLANS	3/16/06

PLOTTING SCALE:	1" = 1'
DRAWN BY:	JDT
CHECKED BY:	DAW
DATE:	JANUARY 2006

**McCLURE ENGINEERING ASSOCIATES, INC.**

714 East Jackson Street  
(309) 833-4594

Mccomb, Illinois 61455  
FAX (309) 837-4909

Design firm License: #184-000816 Copyright 2006 by McClure Engineering Associates, Inc.

**ALTA ROAD SANITARY SEWER EXTENSION TYPICAL DETAILS PEORIA, ILLINOIS**

PEORIA ILLINOIS

FILE NAME: PEORIA\PEORIA-2005\08-DETAILS.DWG FIELD BOOK No: 2679-A JOB NUMBER: 03-23-05-114