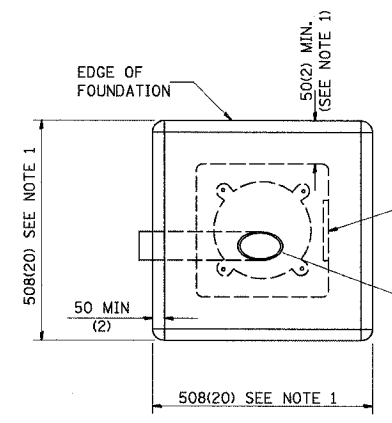


F.A.P. RTE.	SECTION	COUNTY	TOTAL SHEETS	SHEET NO.
646	(Y)W-1, RS-3	PEORIA	142	108
STA. N/A		TO STA. N/A		
FED. ROAD DIST. NO.		ILLINOIS FED. AID PROJECT		

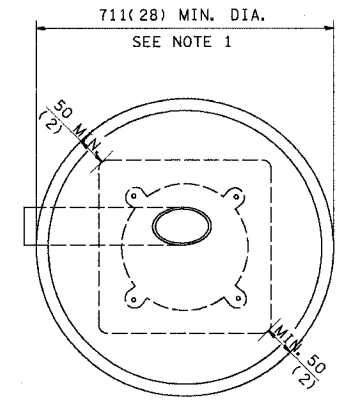
LOW MOUNT DESIGN TABLE

MOUNTING HEIGHT	FOUNDATION DEPTH	BOLT CIRCLE
9.1m(30') OR LESS	1.52m(5'-0")	290(11 1/2)
9.4m-10.7m(31'-35')	1.83m(6'-0")	290(11 1/2)
11.0m-12.2m(36'-40')	2.13m(7'-0")	380(15)
12.5m-13.7m(41'-45')	2.29m(7'-6")	380(15)
14.0m-15.2m(46'-50')	2.44m(8'-0")	380(15)

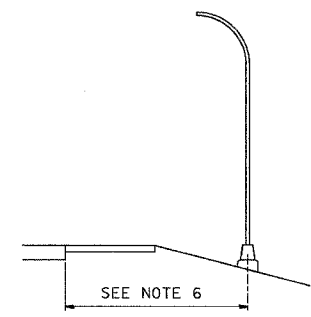


PLACE DOOR ON WIREWAY SIDE. WIREWAY MAY BE ON FRONT, BACK OR SIDE OF FOUNDATION AS REQ'D. BY THE TRENCHING WHICH SHOULD PERMIT UNIT DUCT TO HAVE AS FEW BENDS AS ARE PRACTICAL.

TOP OF FIBER DUCT SHALL BE FLUSH WITH THE TOP OF FOUNDATION FOR DRAINAGE. 127(5) I.D. TYPE I FIBER OR POLYSTYRENE DUCK WIRING WINDOW.

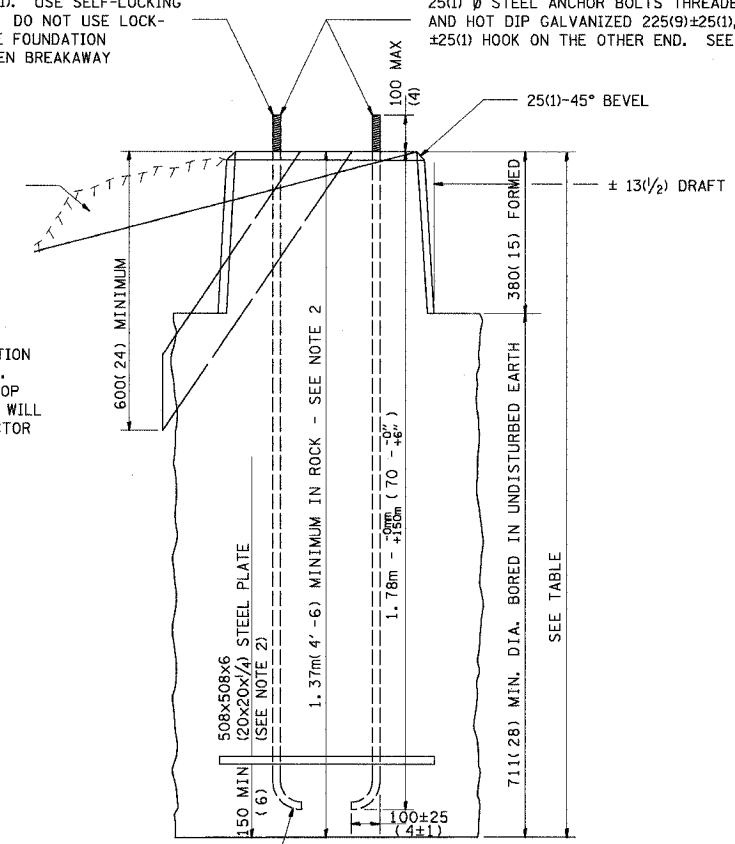


ALTERNATE FOUNDATION



ANCHOR BOLT SHALL EXTEND THROUGH NUT 10 TO 25 (3/8 TO 1). USE SELF-LOCKING NUT AND FLAT WASHER. DO NOT USE LOCK-WASHER. LENGTH ABOVE FOUNDATION SHALL BE ADJUSTED WHEN BREAKAWAY DEVICES ARE USED.

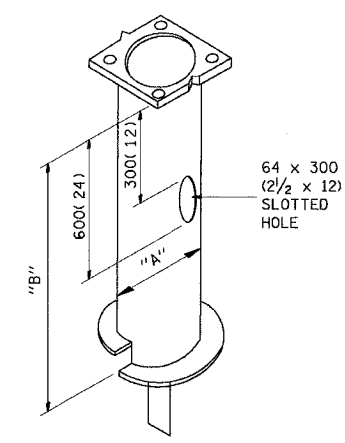
25(1) Ø STEEL ANCHOR BOLTS THREADED 100(4)± AND HOT DIP GALVANIZED 225(9)±25(1),100(4) ±25(1) HOOK ON THE OTHER END. SEE NOTE 3.



NOTE: USE DIRT REMOVED FROM FOUNDATION TO FILL AROUND FOUNDATION TOP. MAKE TOP OF DIRT LEVEL WITH TOP OF CONCRETE. ANY EXCESS DIRT WILL BE DISPOSED OF BY THE CONTRACTOR AT HIS EXPENSE.

DESIGN DATA, STEEL FOUNDATION

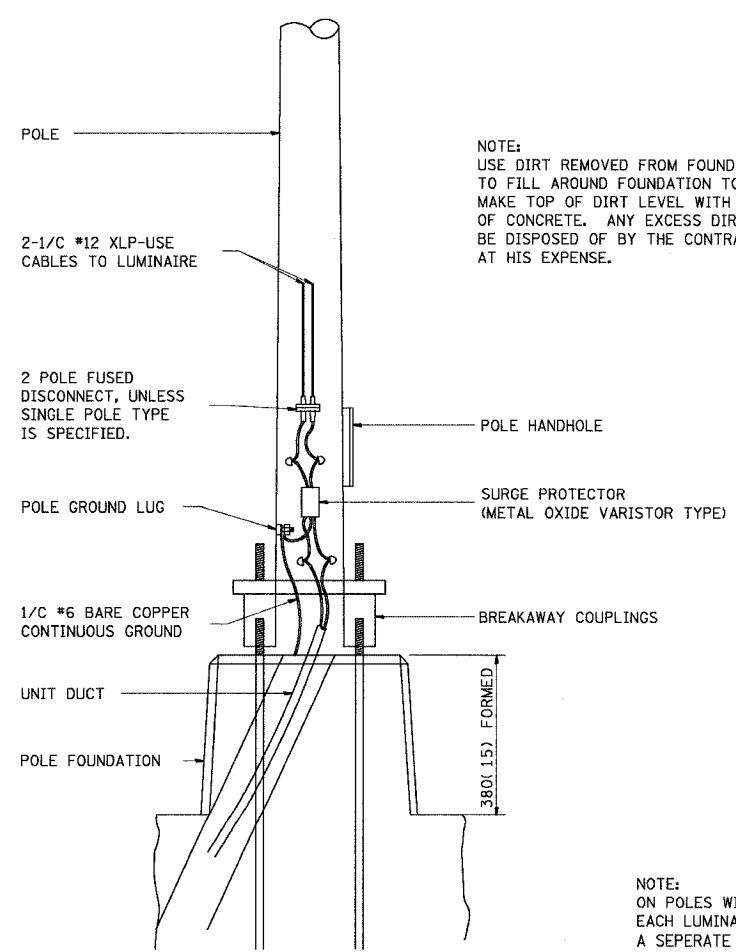
MOUNTING HEIGHT	"A"	"B"	BOLT CIRCLE
1.68m(55')	250(10)	1.83m(6')	380(15)
15.2m(50')	250(10)	1.52m(5')	380(15)
13.7m(45')	200(8)	1.52m(5')	380(15)
10.7m(35')	200(8)	1.52m(5')	290(11 1/2)



POLE FOUNDATION STEEL

GENERAL NOTES

- MINIMUM CLEARANCE FROM THE OUTSIDE EDGE OF FOUNDATION TO ANY PART OF THE POLE BASEPLATE SHALL BE 50(2).
- THE DEPTH OF THE FOUNDATION MAY BE REDUCED 150(6) FOR EVERY FOOT OF ROCK ENCOUNTERED WITH A MINIMUM DEPTH OF 1.37m(4'-6"). WHEN THE DEPTH OF THE FOUNDATION IS DECREASED TO LESS THAN 1.83m(6'-0") THE ANCHOR BOLTS SHALL BE CUT, THREADED, AND A STEEL PLATE 508x508x6(20x20x1/4) SHALL BE INSTALLED ON THE ANCHOR BOLTS 150(6) ABOVE THE BOTTOM OF THE EXCAVATION. THE COST SHALL BE INCIDENTAL TO THE FOUNDATION.
- ON PARAPET WALLS USE 32(1 1/4) Ø ANCHOR BOLTS. USE SELF-LOCKING NUT AND FLAT WASHER. DO NOT USE LOCKWASHER. (FOR DETAILS SEE STANDARD III/2.35 OF BRIDGE DESIGN MANUAL.
- BEND RADIUS SHALL BE FOUR TIMES BOLT DIAMETER.
- CONNECT GROUND WIRES TO POLE BASE GROUND LUG, NOT ANCHOR BOLTS OR TRANSFORMER BASE.
- LOW MOUNT POLE FOUNDATION SETBACK FROM EDGE OF PAVEMENT SHALL BE 6.1m(20') MINIMUM FOR BREAKAWAY BASE POLES; 1.52m(5') BEHIND GUARDRAIL OR OTHER PROTECTIVE BARRIERS UNLESS OTHERWISE SHOWN ON THE PLANS OR AS DIRECTED BY THE ENGINEER.
- AFTER POURING CONCRETE, THE FORM SHALL REMAIN UNDISTURBED OVERNIGHT. THE TOP 380(15) ONLY SHALL BE FORMED. CONCRETE BOUNDED BY UNDISTURBED EARTH ONLY SHALL FILL THE REMAINDER OF THE HOLE.



NOTE: ON POLES WITH TWO LUMINAIRES, EACH LUMINAIRE SHALL HAVE A SEPERATE FUSED DISCONNECT.

All dimensions are in millimeters (Inches) unless otherwise noted.

ILLINOIS DEPARTMENT OF TRANSPORTATION
DISTRICT CADD STANDARD

LIGHT POLE FOUNDATION

CADD STD. NO. 836001-D4
SCALE: NOT DRAWN TO SCALE
DRAWN BY CADD
CHECKED BY
DATE

DATE	REVISIONS	BY
1-1-97	RENUM. E-6.06, METRICS, NEW REVISION BOX, REVISED TITLE BOX, REVISED GENERAL NOTES, ADDED DESIGNER NOTES	T.P.

2. Check with Bureau of Operations

\$\$\$DATE\$\$\$