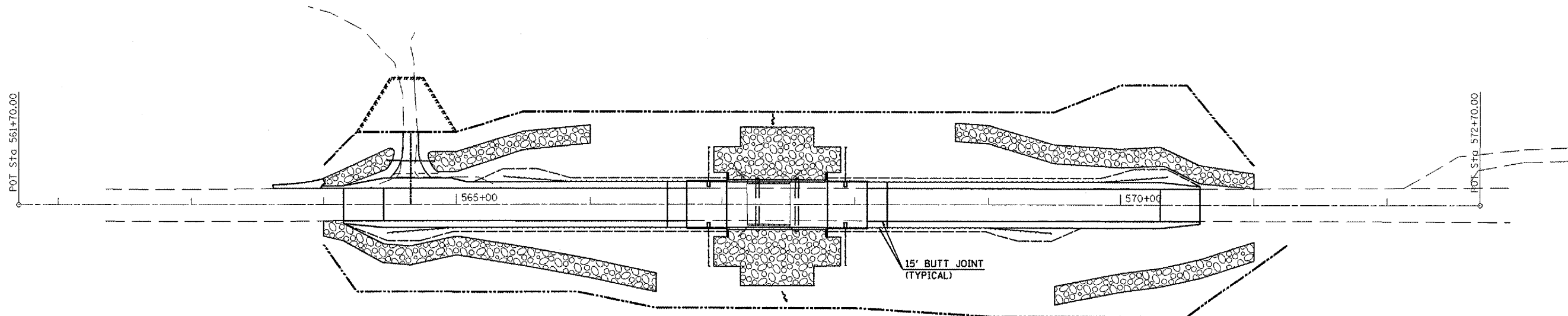


F.A.P. RTE.	SECTION	COUNTY	TOTAL SHEETS	SHEET NO.
310	41-A8R	McDONOUGH	58	16
STA.		TO STA.		
FED. ROAD DIST. NO.		ILLINOIS FED. AID PROJECT		

MAINTENANCE OF TRAFFIC - STAGE III



STAGE III CONSTRUCTION:

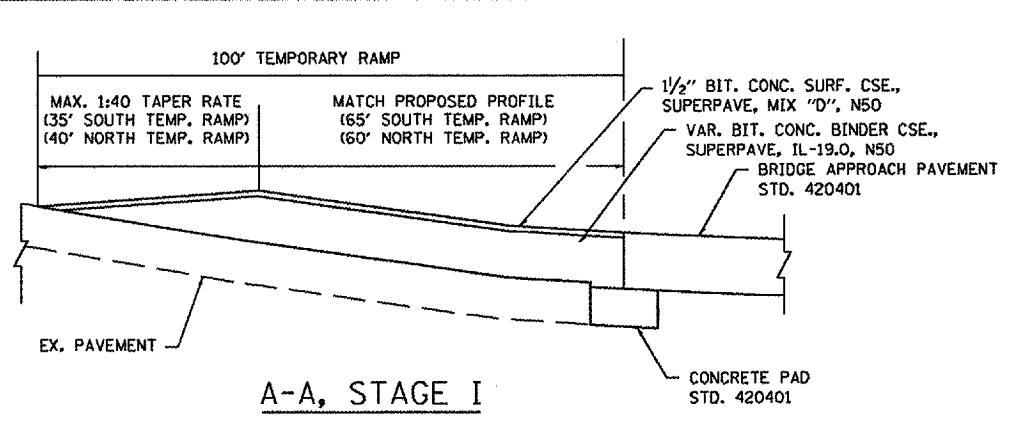
1. CONSTRUCT BINDER, SURFACE COURSES AND BIT. SHOULDERS UNDER STD. 701201.
2. CONSTRUCT PR. ENTRANCE AND MAIL BOX TURNOUT.
3. INSTALL PROPOSED GUARDRAIL.
4. APPLY PERMANENT PAVEMENT MARKINGS UNDER STD. 701311 OR OTHERWISE AS DIRECTED BY THE ENGINEER. COST OF M.O.T. FOR APPLICATION OF P.M. WILL NOT BE PAID FOR SEPARATELY, BUT SHALL BE CONSIDERED AS INCLUDED IN THE UNIT PRICE OF EPOXY PAVEMENT MARKING.

STAGE III NOTES:

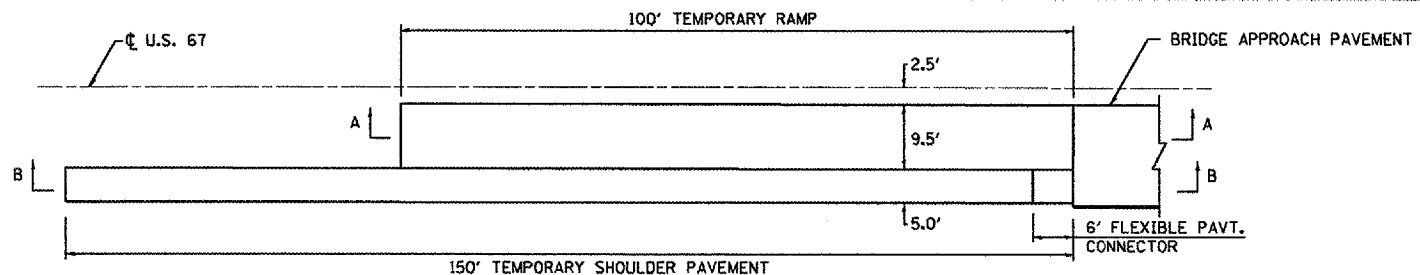
1. AFTER COMPLETION OF A COMPLETE BITUMINOUS LIFT THE EMBANKMENT ADJACENT TO THE ROADWAY WILL BE PLACED TO MAINTAIN DROPOFFS OF 4" OR LESS AND SLOPES NO STEEPER THAN 1:3.
2. DURING PAVING LAYERS, SMOOTH TRANSITIONS SHALL BE PROVIDED FOR U.S 67. LONGITUDINAL LANE DROPS SHALL BE LESS THAN 4".
3. DURING PAVING OPERATIONS, APPLY SHORT TERM PAVEMENT MARKINGS PRIOR TO OPENING TO TRAFFIC AT THE END OF EACH DAY.
4. BUTT JOINTS SHALL BE CONSTRUCTED DURING THE FINAL SURFACING LAYER OF STAGE III.
5. AT LEAST ONE LANE SHALL BE OPEN TO VEHICLES AT ALL TIMES.
6. PRIOR TO THE INSTALLATION OF GUARDRAIL, TYPE II BARRICADES SHOULD BE PLACED AT LOCATIONS AS DIRECTED BY THE ENGINEER.



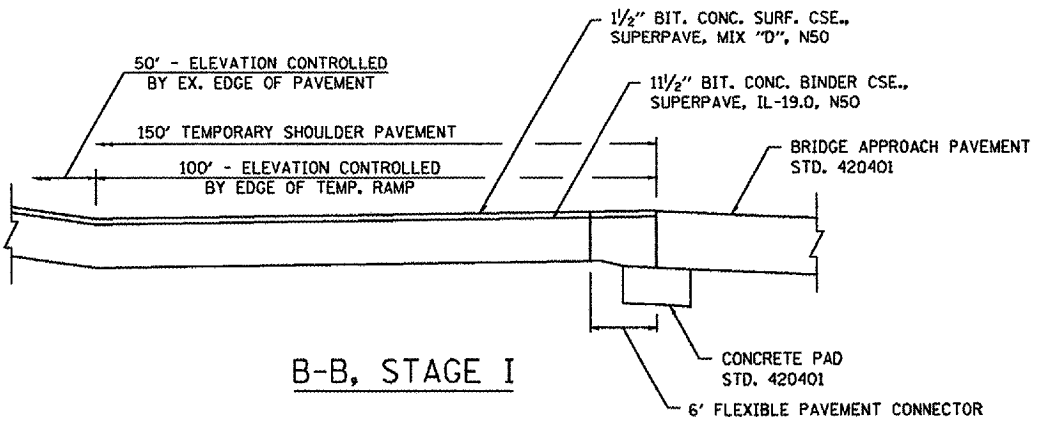
20' 0 20' 40'
SCALE: 1" = 40'



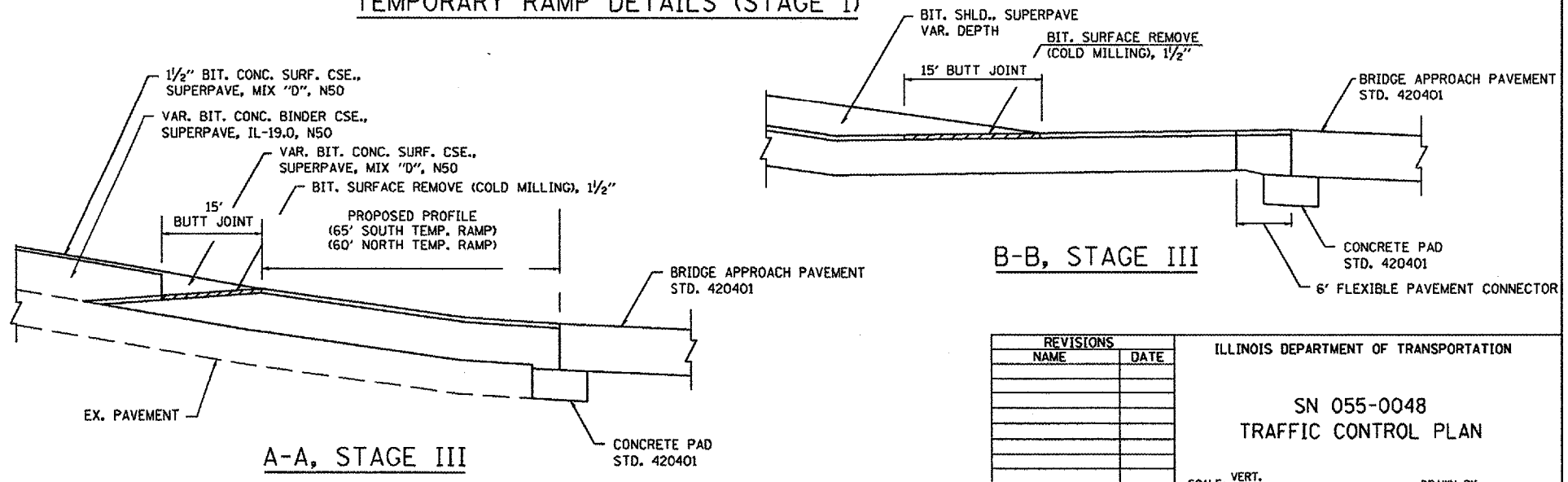
A-A, STAGE I



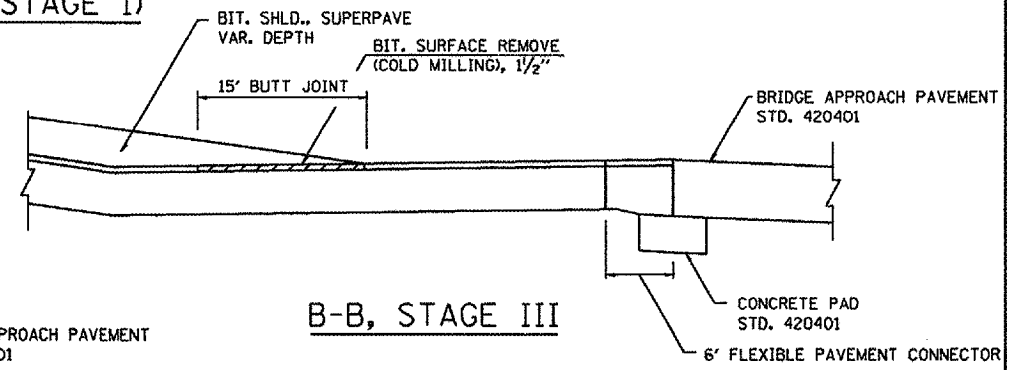
TEMPORARY RAMP DETAILS (STAGE I)



B-B, STAGE I



A-A, STAGE III



B-B, STAGE III

PLOT DATE = 8/16/2005
 PLOT SCALE = 1/8" = 40' / IN.
 USER NAME = hudebalsonm

REVISIONS	
NAME	DATE

ILLINOIS DEPARTMENT OF TRANSPORTATION

SN 055-0048
TRAFFIC CONTROL PLAN

SCALE: VERT. HORIZ.
DATE

DRAWN BY
CHECKED BY