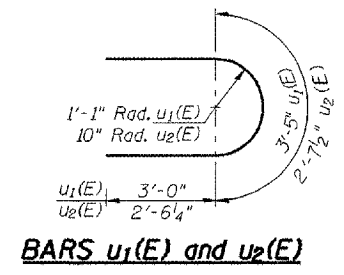
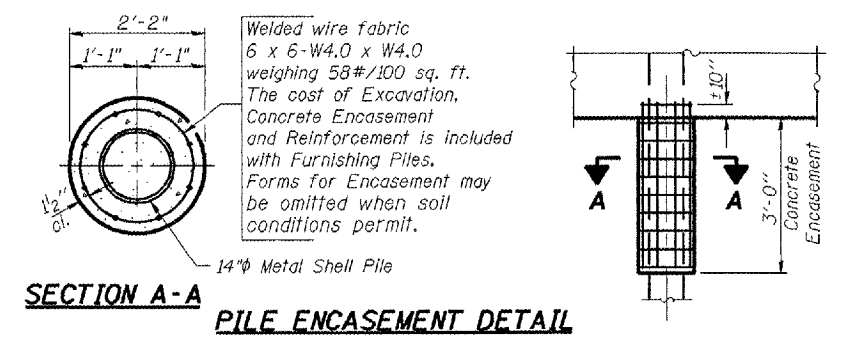
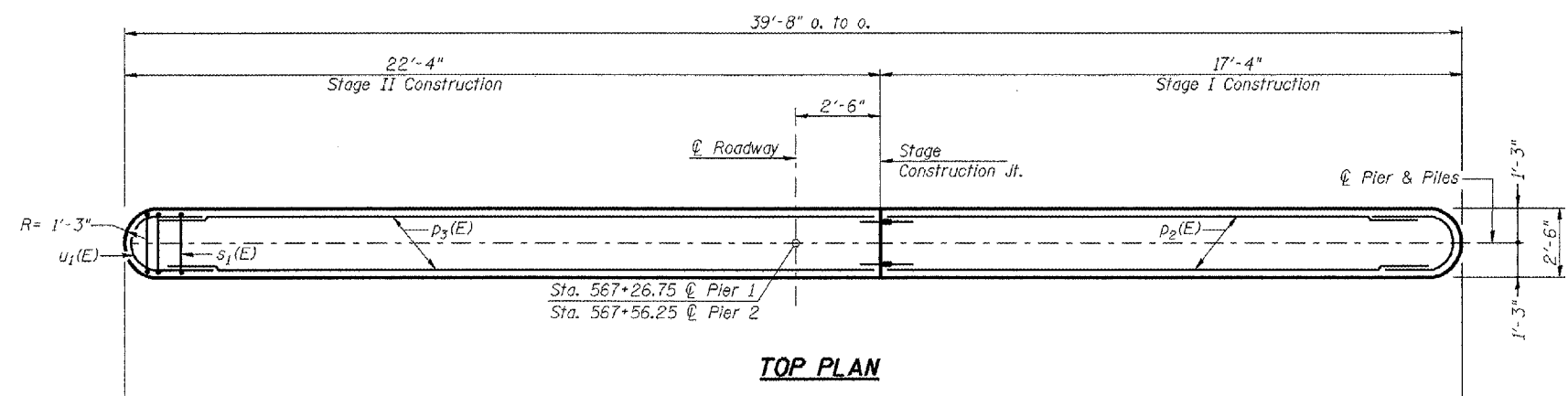


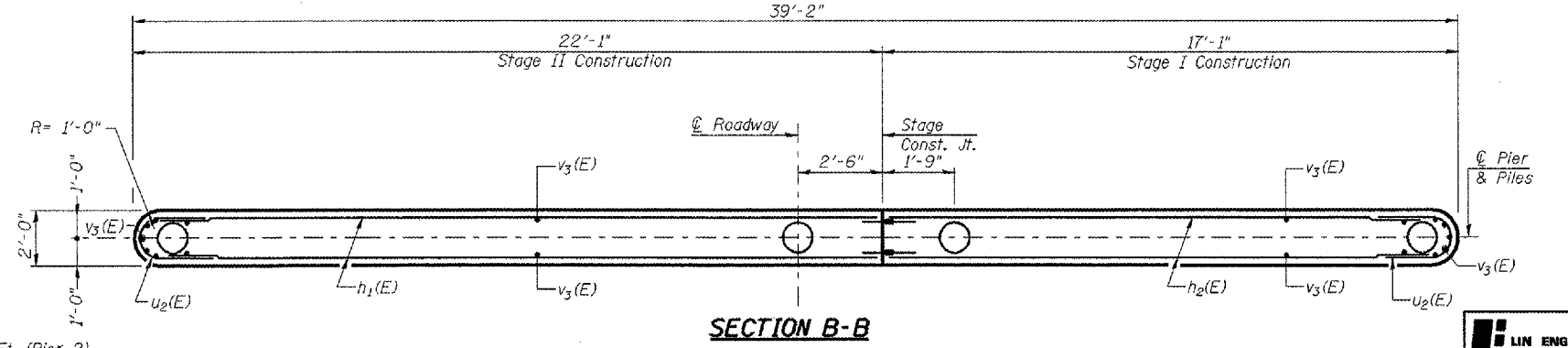
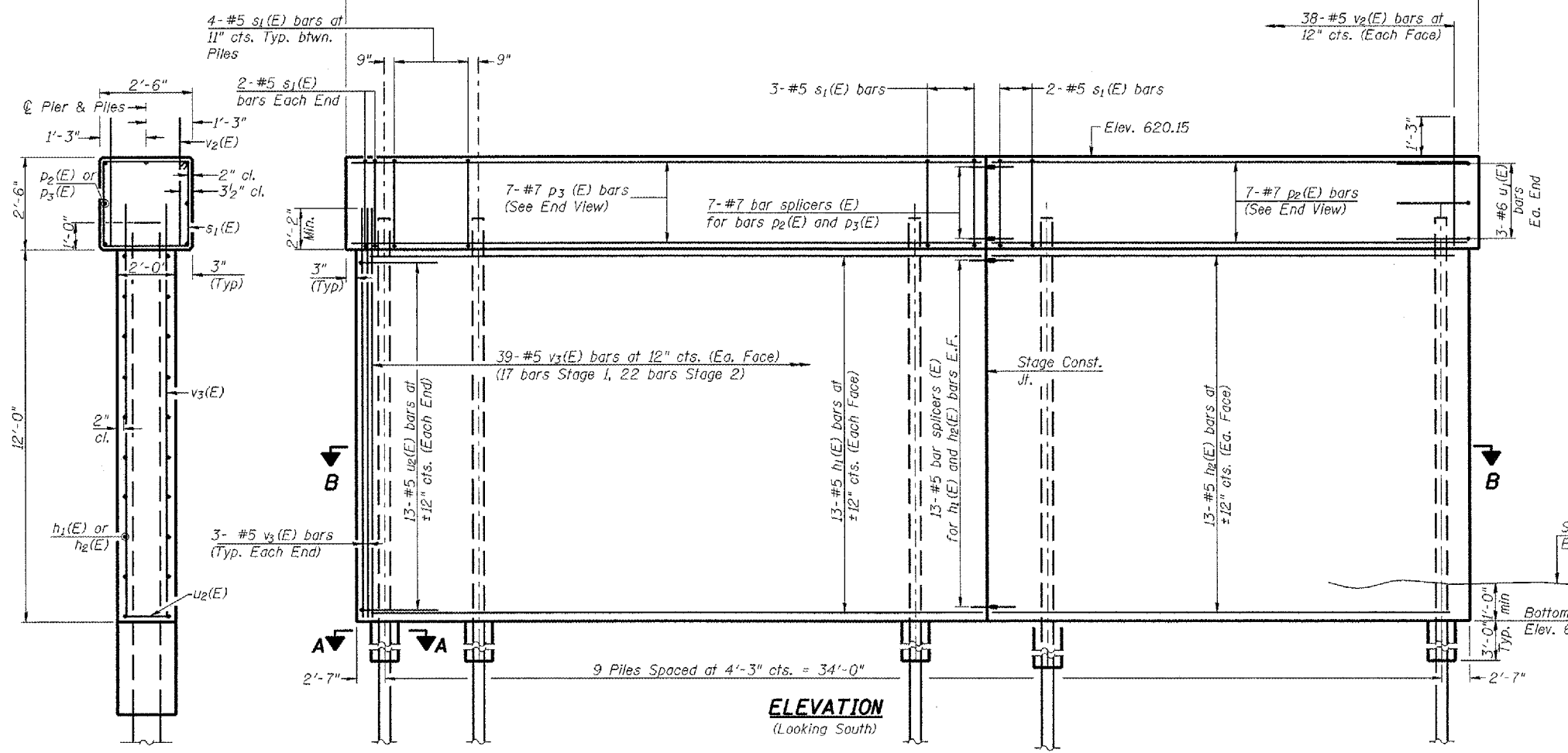
Contract #88939



**BILL OF MATERIAL**  
(Two Piers)

Bar	No.	Size	Length	Shape
$h_1(E)$	52	#5	21'-0"	—
$h_2(E)$	52	#5	16'-0"	—
$p_2(E)$	14	#7	16'-0"	—
$p_3(E)$	14	#7	21'-0"	—
$s_1(E)$	74	#5	9'-7"	□
$u_1(E)$	12	#6	9'-5"	U
$u_2(E)$	52	#5	7'-8"	U
$v_2(E)$	152	#5	3'-5"	—
$v_3(E)$	156	#5	14'-0"	—
Concrete Structures		Cu. Yd.	77.7	
Reinforcement Bars, Epoxy Coated		Pound	7210	
Structure Excavation		Cu. Yd.	69.9	
Furnishing Metal Pile Shells 14"		Foot	1236	
Driving and Filling Shells		Foot	1236	
Test Pile Metal Shells		Each	1	
Underwater Structure Excavation Protection Location 1		Each	1	
Underwater Structure Excavation Protection Location 2		Each	1	

Reinforcement bars designated (E) shall be epoxy coated.



**END VIEW**

**PILE DATA**

Type: 14" Metal Shell  
 Capacity: 50 Ton  
 Est. Length: 68 Ft. (Pier 1), 78 Ft. (Pier 2)  
 No. Req'd: 9 (Pier 1), 8+1 Test Pile (Pier 2)

**LIN ENGINEERING, LTD.**  
 20 N. Chestnut  
 Channahon, Illinois 61515  
 (815) 463-1066  
 FAX: (815) 463-4706  
 Designed By: DLS  
 Checked By: MTH  
 Drawn By: ADG  
 Date: 01/06  
 File: 0250048.dwg

REVISIONS	
NAME	DATE

ILLINOIS DEPARTMENT OF TRANSPORTATION  
**PIERS**  
 F.A.P. ROUTE 310 (US 67)  
 OVER CARTER CREEK  
 SECTION (41A)BR  
 MCDONOUGH COUNTY  
 STA. 567+41.50  
 S.N. 055-0048