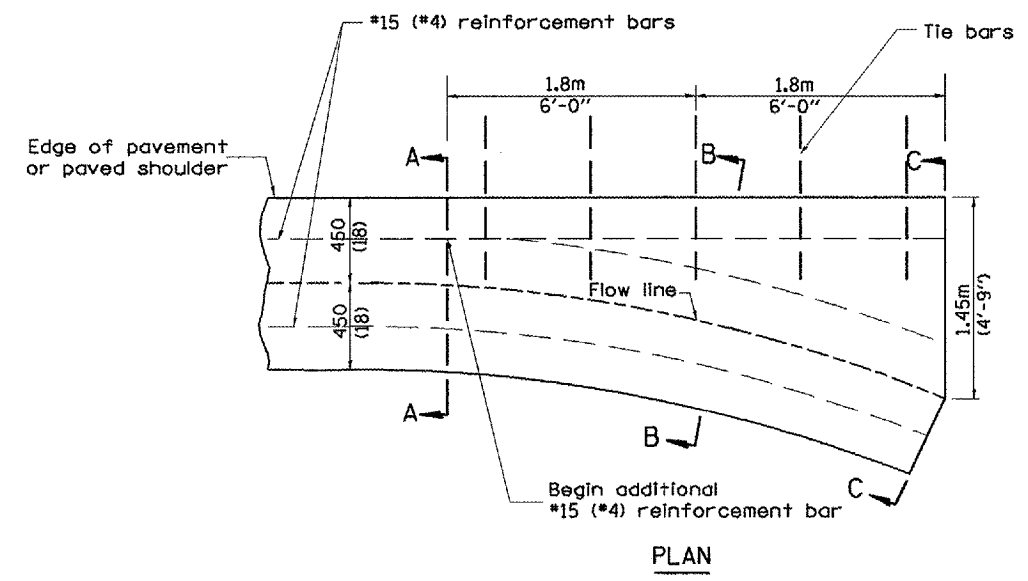
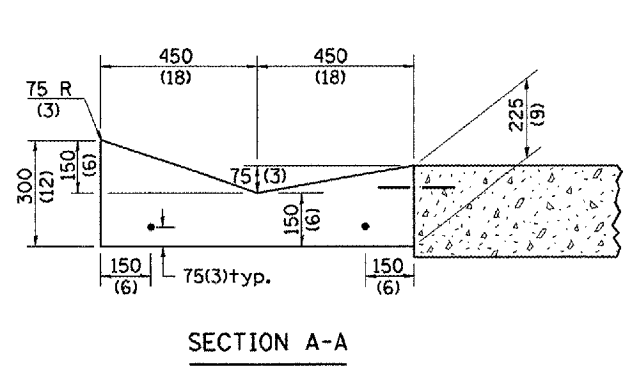
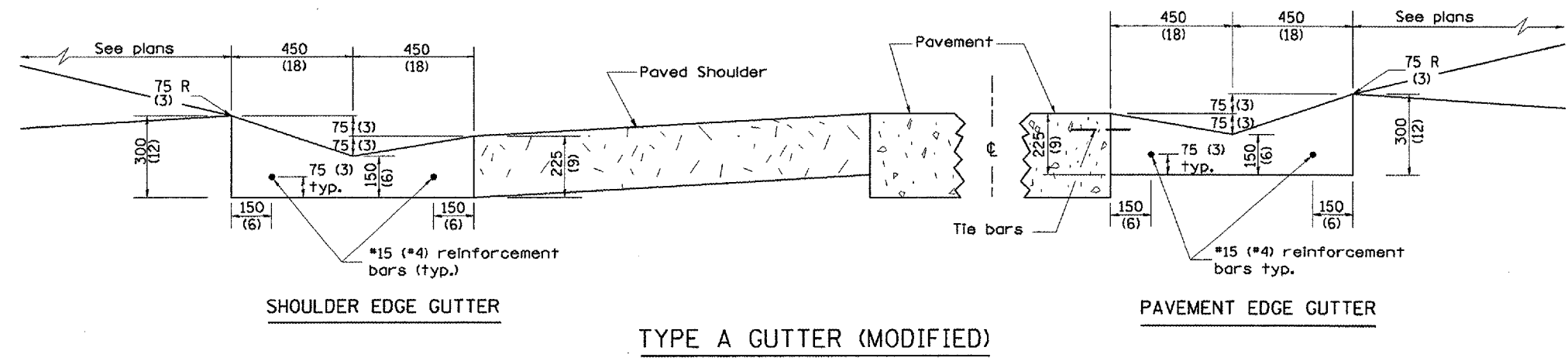


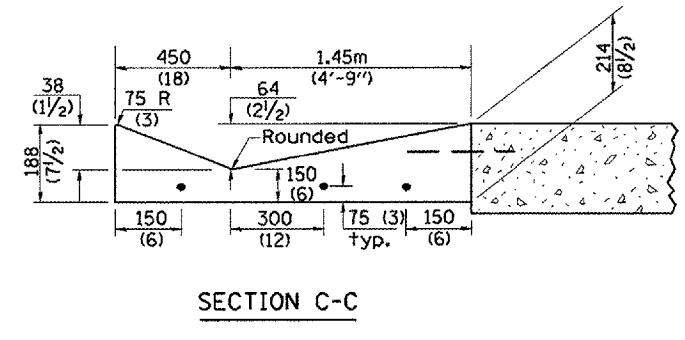
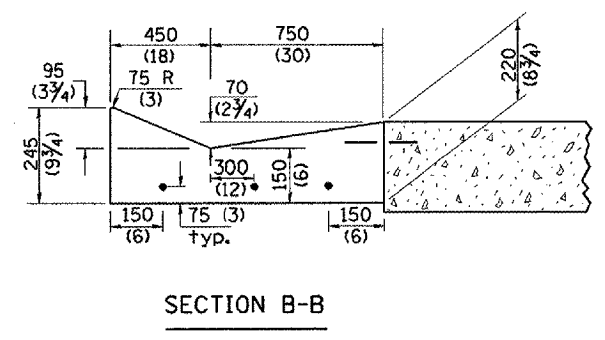
F.A.P. RTE.	SECTION	COUNTY	TOTAL SHEETS	SHEET NO.
310	(41-A)BR	McDONOUGH	58	47
STA.		TO STA.		
FED. ROAD DIST. NO.		ILLINOIS FED. AID PROJECT		



QUANTITY	
Section C-C to A-A	m ³ (cu. yd.) concrete.

GENERAL NOTES:

1. TYPE A GUTTER (MODIFIED) shall conform to the applicable portions of Section 606.
2. Tie bars shall be No. 20 (No. 6) at 600mm (24") centers unless otherwise shown.
3. Gutter, gutter inlets, gutter outlets, and gutter entrances shall be tied to rigid pavement in accordance with details shown on Standard 420001.
4. Joints shall be constructed in accordance with Article 606.06.
5. Welded wire fabric shall conform to Article 1006.10(c)(1), and shall not be less than 2.83 kg/m² (58 lbs/100 sq.ft.).



INLET

DESIGNER NOTE:
1. INCLUDE STATE STANDARD 420001.
2. INCLUDE DISTRICT SPECIAL PROVISION.

QUANTITIES	
CALC. BY: _____	DATE: _____
CHECKED BY: _____	DATE: _____
QUANTITY CALCULATIONS ARE ON FILE AT THE DISTRICT 4 OFFICE; BUREAU OF PROJECT IMPLEMENTATION; DOCUMENTATION SECTION	

All dimensions are in millimeters (inches) unless otherwise noted.

ILLINOIS DEPARTMENT OF TRANSPORTATION		
DISTRICT CADD STANDARD		
TYPE A GUTTER, (MODIFIED)		
(INLET, OUTLET & ENTRANCE)		
CADD STANDARD 606101-D4		SHEET 1 OF 3
SCALE: NOT DRAWN TO SCALE		DRAWN BY CADD
		CHECKED BY

DATE	REVISIONS	BY
1-1-97	RENUM. A-1.02, NEW REVISION BOX, ELIMINATED EXPANSION ANCHOR TIES.	T.P.
2-28-02	ENTRANCE TYPICALS REVISED	M.A.