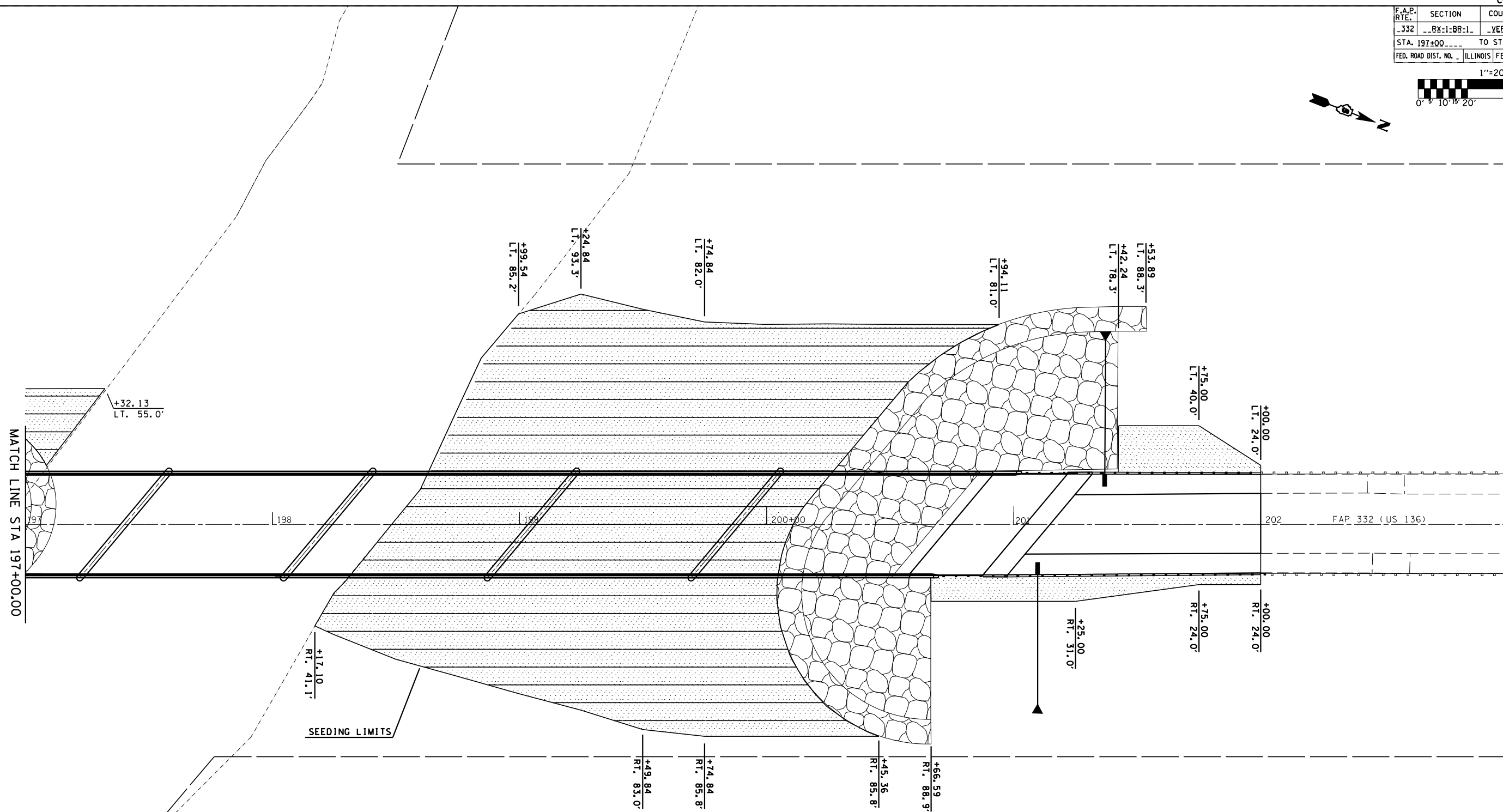


F.A.P. RTE.	SECTION	COUNTY	TOTAL SHEETS	SHEET NO.
.332	..8X-1-BB-1	..VERMILION	140	39
STA. 197±00		TO STA. 203±00		
FED. ROAD DIST. NO.		ILLINOIS FED. AID PROJECT		



- SEEDING, CLASS 2
- SEEDING, CLASS 4B

REVISIONS	
NAME	DATE

ILLINOIS DEPARTMENT OF TRANSPORTATION

SEEDING PLANS

SCALE: VERT. \_\_\_\_\_  
HORIZ. \_\_\_\_\_

DATE \_\_\_\_\_ DRAWN BY \_\_\_\_\_  
CHECKED BY \_\_\_\_\_

PLOT DATE = 8/26/2006  
 FILE NAME = c:\projects\90841\136\136\_seeding20.dgn  
 PLOT SCALE = 42,352%  
 USER NAME = stults,j