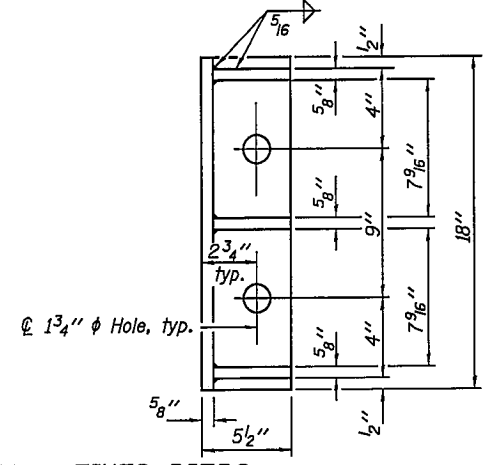
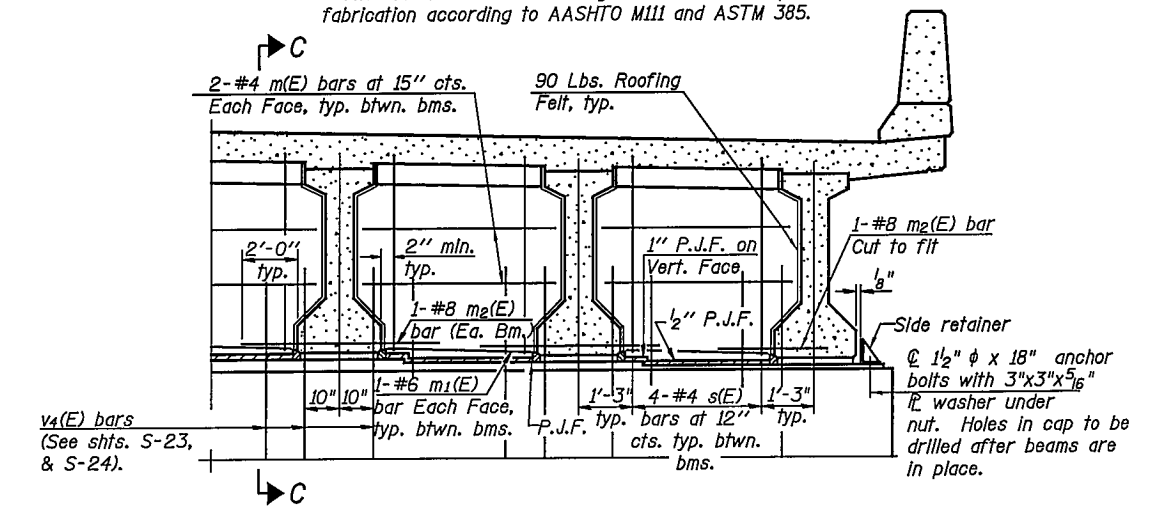
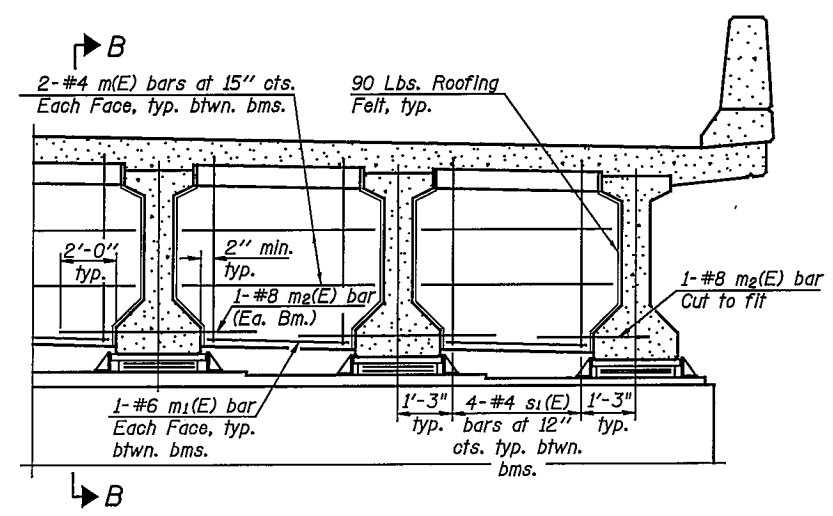
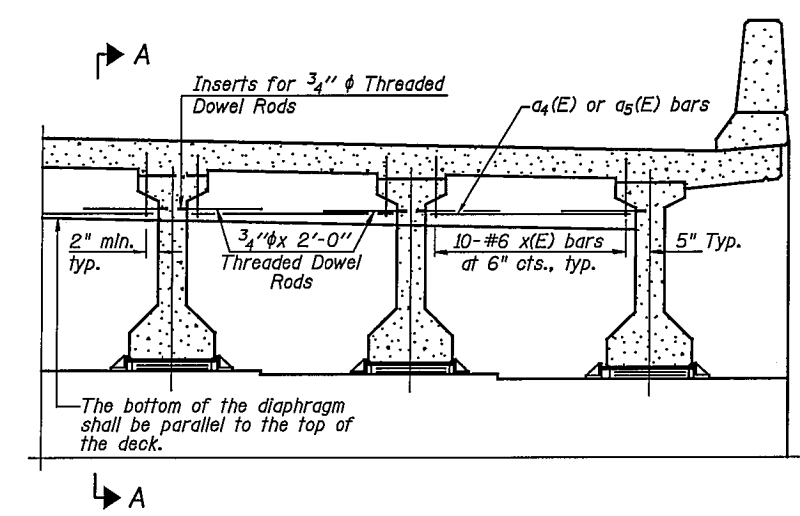


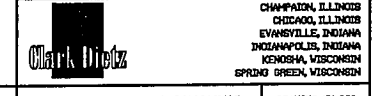
Notes:
 Reinforcement bars in diaphragm are billed with superstructure on sheet S-9.
 Concrete in diaphragm is included with Concrete Superstructure on sheet S-9.
 The s(E), s₁(E) and x(E) bars shall be placed parallel to the beams. Spacing for these bars shall be at right angles to the beams.
 Cost of 90 Lb. roofing felt is included with Concrete Superstructure. See sheet 28 for anchor bolt details.
 Horizontal dimensions for Sec. B-B and Sec. C-C are along φ of beam unless otherwise noted.



SIDE RETAINER @ FIXED PIERS
 Cost included with Concrete Structure.
 Equivalent rolled angle with stiffeners will be allowed in lieu of welded plates.
 The side retainers shall be galvanized after shop fabrication according to AASHTO M111 and ASTM 385.



DIAPHRAGM DETAILS
 U.S. ROUTE 136/IL. ROUTE 1 OVER NORTH FORK VERMILION RIVER
 F.A.P. ROUTE 332 SEC. RX-1-BR-1 VERMILION COUNTY
 STATION 198+63.75
 STRUCTURE NO. 092-0205



REVISIONS	NAME	DATE

NOTES: DIMENSIONAL DATA TO BE OBTAINED BY FIELD AND PORTION OF THIS DRAWING.

DRAWING NO.	DATE	PROJECT NO.
CHECKED BY	DATE	
APPROVED BY		

DRAWING NUMBER: S-10