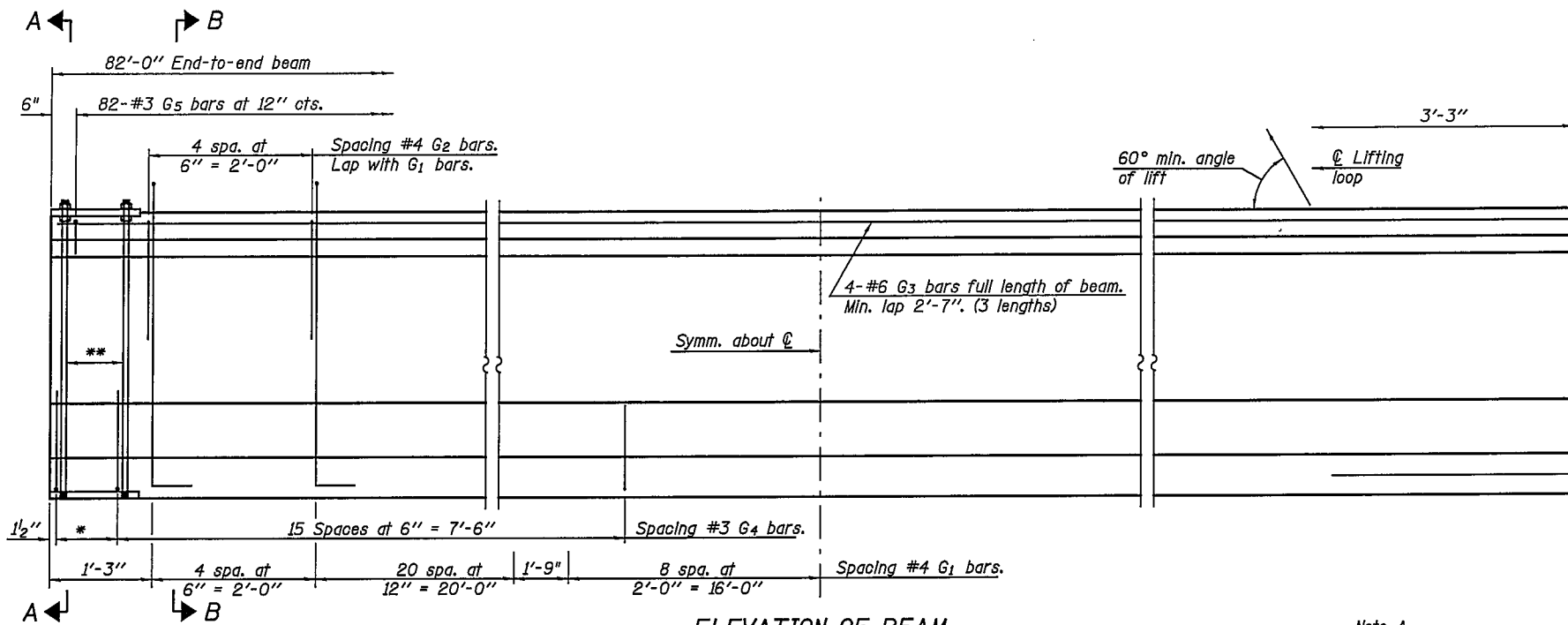


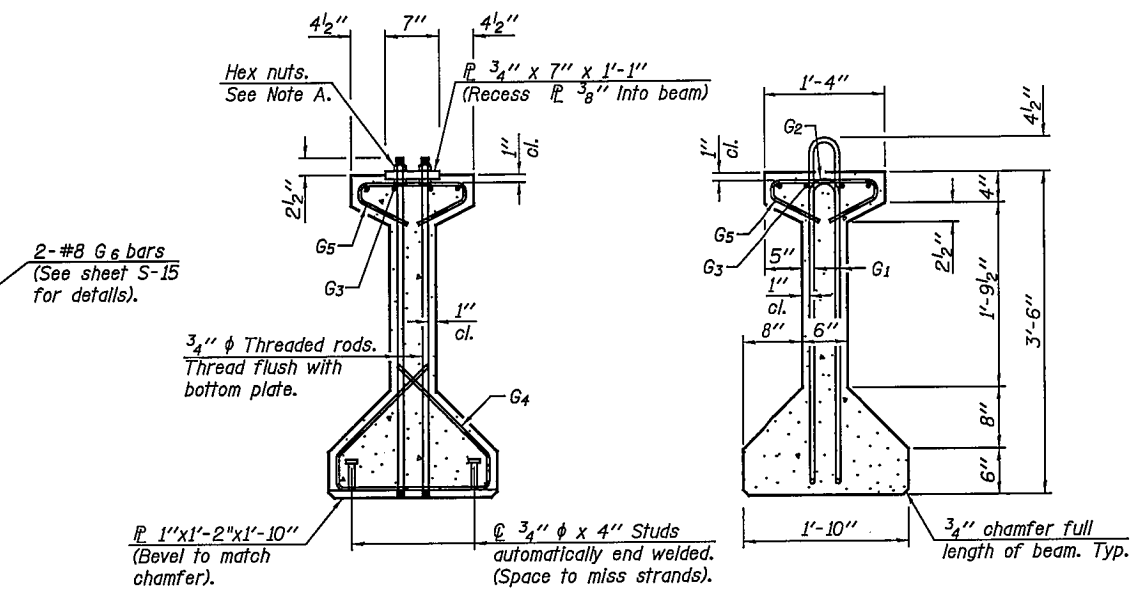
| | | | | |
|-----------------------|---------|-----------|-------------------|-------|
| ROUTE NO. | SECTION | QUALITY | DATE | SHEET |
| F.A.P. 332 | (W) | VERMILION | 1/40 | 53 |
| PUBLISHED DATE, NO. 7 | | ILLINOIS | PUBLISHED PROJECT | |

Contract #90841



ELEVATION OF BEAM
(Showing reinforcement & dimensions)

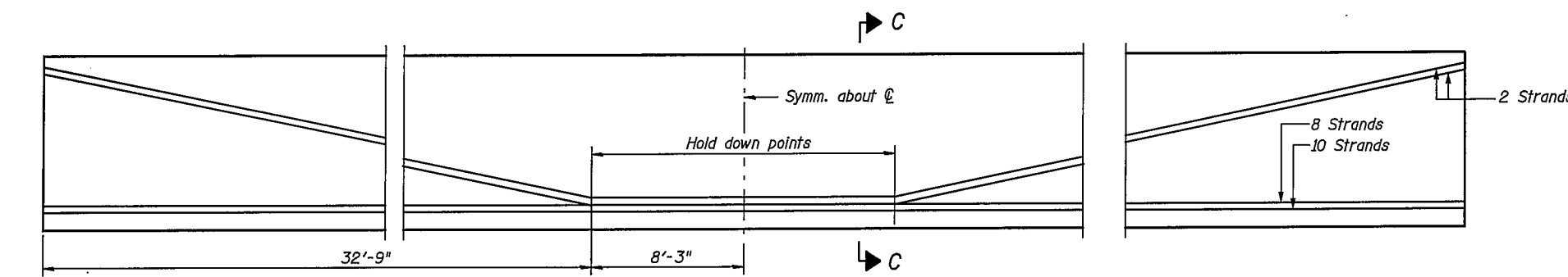
* 3 spaces at 3" = 9".
** 4-3/4" φ threaded dowel rods at 3" cts., each face.



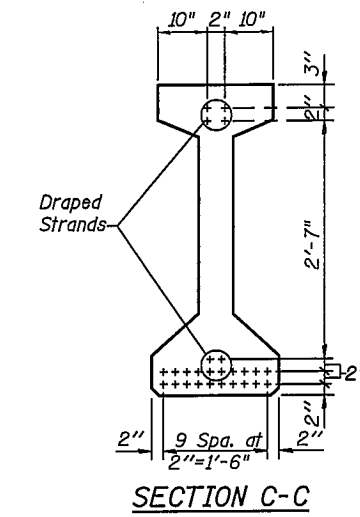
SECTION A-A

SECTION B-B

Note A:
Hex nuts (top and bottom) with lock washers (top). Only tighten sufficiently to compress lock washers.



ELEVATION OF BEAM
(Showing Prestressing Steel)



SECTION C-C

**BAR LIST
ONE BEAM ONLY**

| Bar | No. | Size | Length | Shape |
|-----|-----|------|--------|-------|
| G1 | 67 | #4 | 8'-5" | ∩L |
| G2 | 10 | #4 | 4'-4" | ∩ |
| G3 | 12 | #6 | 29'-0" | — |
| G4 | 38 | #3 | 4'-11" | ∩ |
| G5 | 82 | #3 | 2'-6" | ∩ |
| G6 | 4 | #8 | 3'-9" | ∩ |

Notes:
See sheet S-15 for additional details and Bill of Material.
Required release strength, f'cl, shall be 5,000 psi.

PPC I-BEAMS
SPANS 2, 3 & 4
U.S. ROUTE 136/IL. ROUTE 1 OVER
NORTH FORK VERMILION RIVER
F.A.P. ROUTE 332 SEC. RX-1-BR-1
VERMILION COUNTY
STATION 188+63.75
STRUCTURE NO. 092-0205



| REVISIONS | NAME | DATE | DESCRIPTION |
|-----------|------|------|-------------|
| | | | |
| | | | |
| | | | |
| | | | |