

Bench Mark: Sta. 52+79.1, 11.7' Rt. Illinois waterway tablet in S.W. corner of existing bridge.
Elev. 479.10

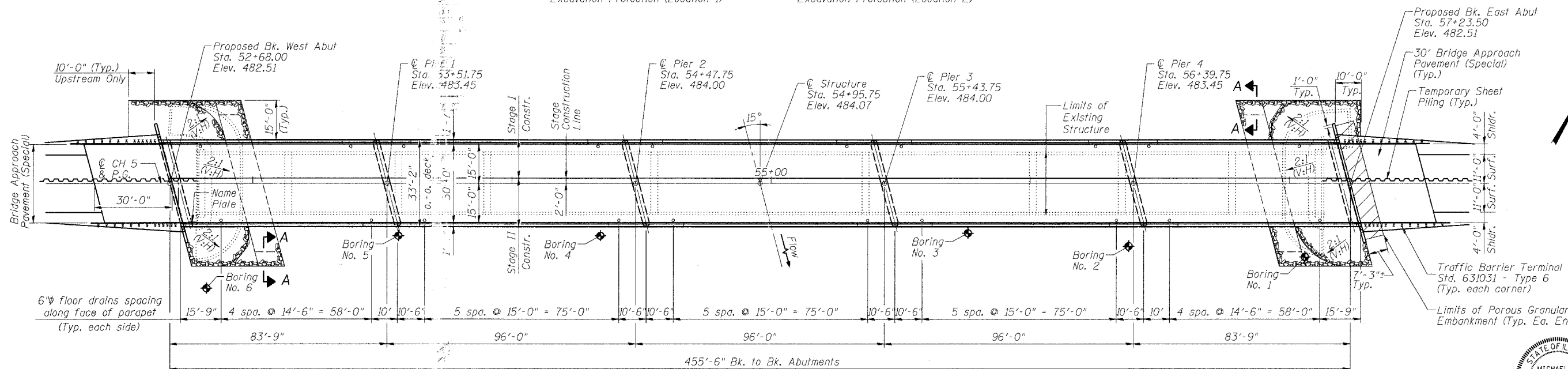
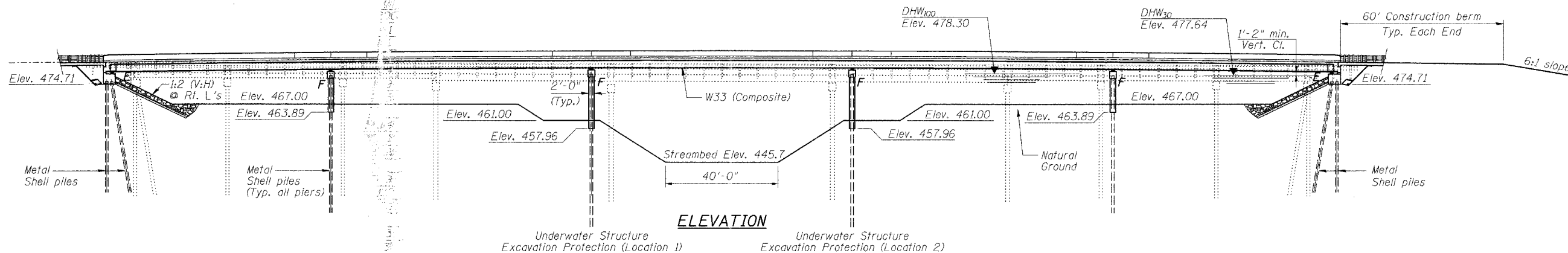
Existing Structure: Structure No. 085-3052. Nine span steel beam, 435'-2" back to back abutments by 24'-0" out to out deck. To be replaced by a five span reinforced concrete deck composite with continuous rolled steel beams on reinforced concrete abutments. Existing structure to be removed in Stages to maintain one lane of traffic at all times.

No Salvage.

STATE OF ILLINOIS
DEPARTMENT OF TRANSPORTATION

ROUTE NO.	SECTION	COUNTY	SHEETS	SHEET NO.
FAS 583	*	SCHUYLER	56	20
FED. ROAD DIST. NO.	ILLINOIS	FED. AID PROJECT-		

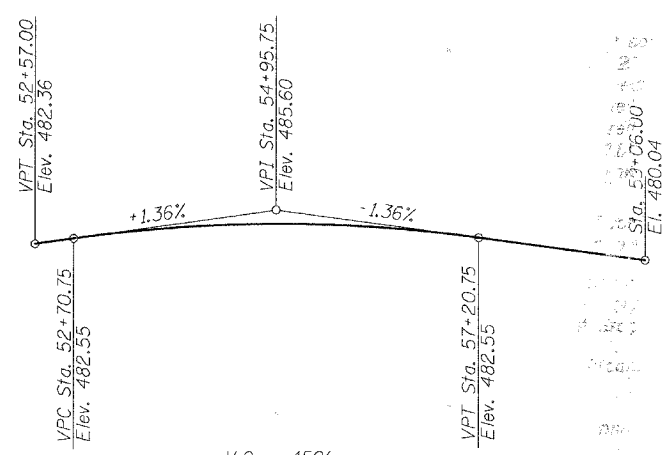
* 02-00067-00-BR
Contract # 93A25



Expires: 11/30/06

I certify that to the best of my knowledge, information and belief, this bridge design is structurally adequate for the design loading shown on the plans. The design is an economical one for the style of structure and complies with requirements of the current A.A.S.H.T.O. Standard Specifications for Highway Bridges.

Michael J. Trello
Signed 9/25/06 Dated



LOADING HS20-44
Allow 25#/sq. ft. for future wearing surface

DESIGN SPECIFICATIONS
2002 AASHTO and Interims

DESIGN STRESSES
 $f'_c = 3,500$ psi
 $f_y = 60,000$ psi (reinforcement)
 $f_y = 50,000$ psi (M270 Gr. 50 structural steel)

SEISMIC DATA
 Seismic Performance Category (SPC) = A
 Bedrock Acceleration Coefficient (A) = 0.059g
 Site Coefficient (S) = 1.0

NAME PLATE
See Std. 515001

FAS ROUTE 583 OVER
LAMOINE RIVER
SCHUYLER COUNTY
SECTION 02-00067-00-BR
SN 085-3054 LOADING HS 20
BUILT 200_ STA. 54+95.75



REVISIONS	
NAME	DATE

ILLINOIS DEPARTMENT OF TRANSPORTATION
GENERAL PLAN AND ELEVATION

FAS 583 (CH5) OVER LAMOINE RIVER
SECTION 02-00067-00-BR
SCHUYLER COUNTY
STATION 54+95.75
S.N. 085-3054

SCALE: VERT. DRAWN BY: LANDREY
 HORIZ. DESIGNED BY: MATHUR
 DATE: 6/7/05 CHECKED BY: TRELLO

GREENE & BRADFORD, INC.
OF SPRINGFIELD

COMPUTER FILE NO.
SN0853054_GPE

PROJECT 02157
9/25/06-MML

FILE NAME: I:\PROJECT\DRAWINGS\SN085-3054\SN0853054_GPE.dgn
 PLOT SCALE: 20,000 V. DIM = XLS-8850-ENG-BRIDGE.PLT
 PLOT DATE: 9/25/2006
 PLOT TIME: 3:44:15 PM
 OPERATOR: mchrell@id