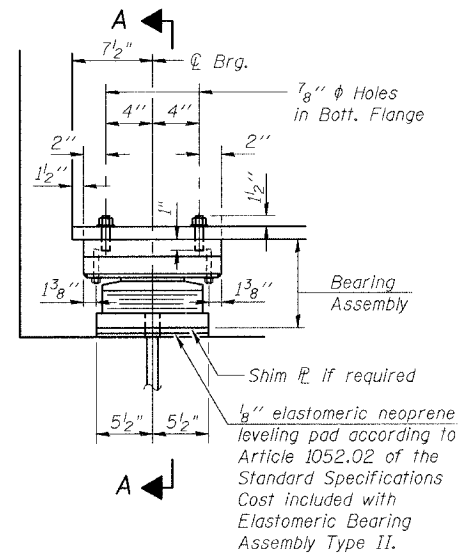


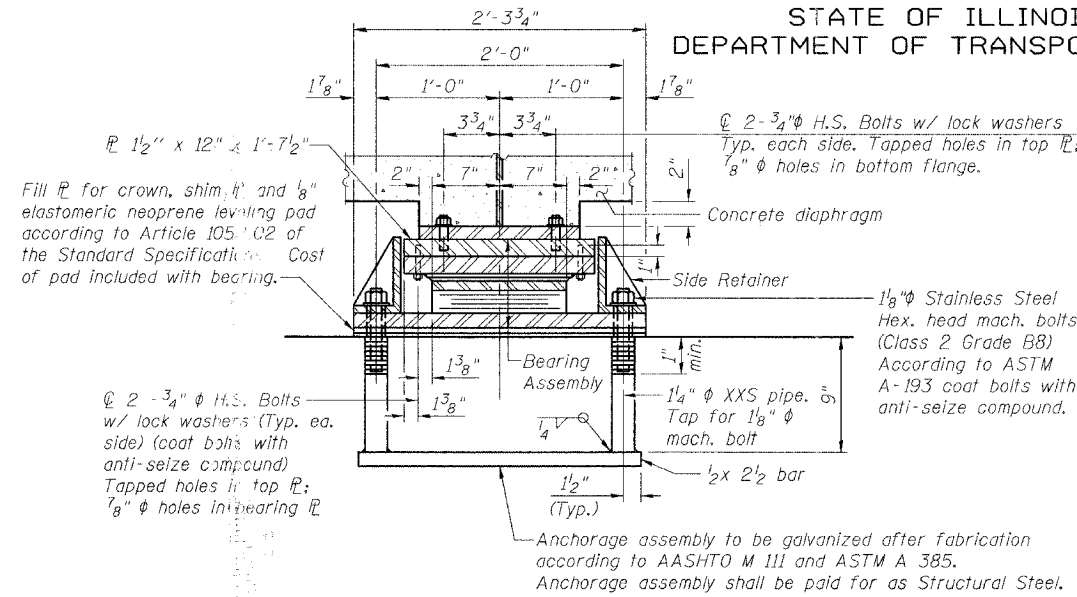
STATE OF ILLINOIS  
DEPARTMENT OF TRANSPORTATION

ROUTE NO.	SECTION	COUNTY	SHEETS	SHEET NO.	SHEET NO. 14
FAS 583	*	SCHUYLER	56	33	26 SHEETS
FED. ROAD DIST. NO.	ILLINOIS	FED. AID PROJECT-			

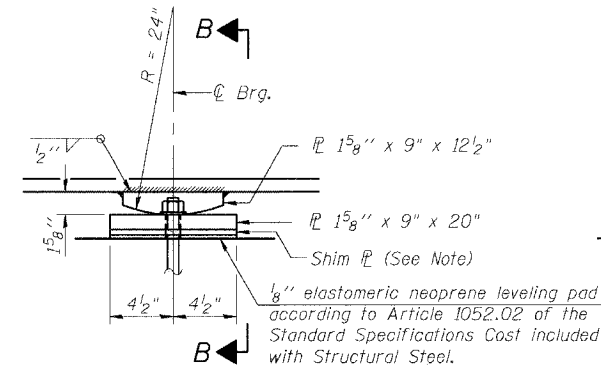
\* 02-00067-00-BR  
Contract # 93425



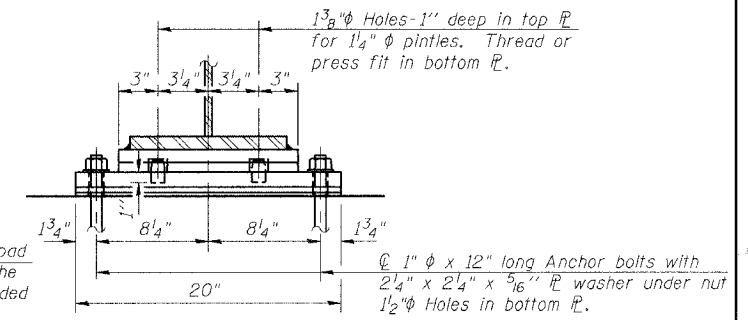
ELEVATION AT ABUT.



SECTION A-A



ELEVATION AT PIER



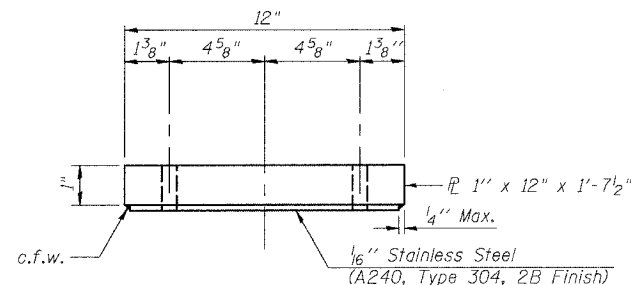
SECTION B-B

FIXED BEARING  
24 - Required

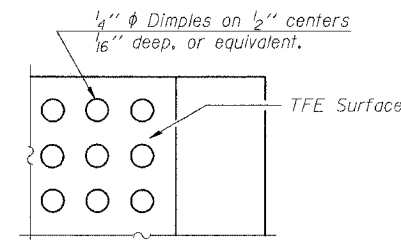
Note:  
8"x9"x20" Shim plate at  
Beam 4 - Pier 1 and  
Beam 3 - Pier 4.

TYPE II ELASTOMERIC EXP. BRG.

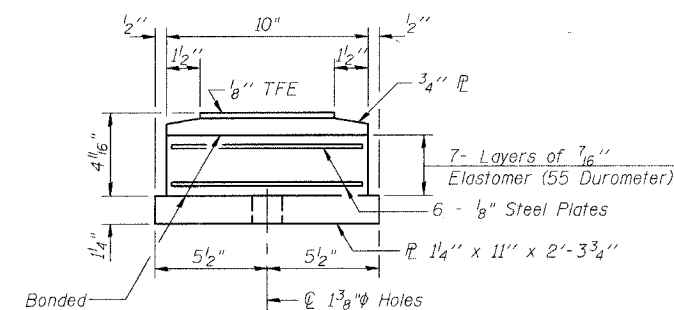
12 - Required



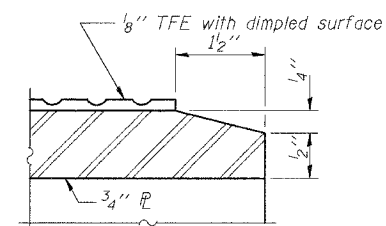
TOP BEARING ASSEMBLY



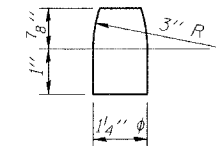
PLAN-TFE SURFACE



BOTTOM BEARING ASSEMBLY

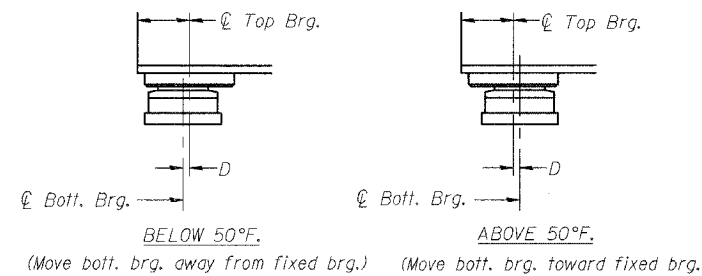


SECTION THRU TFE



PINTLE

Notes:  
See Sheet 20 of 26 for Anchor  
Bolt installation.



SETTING ANCHOR BOLTS AT EXP. BRG.

D=1/8" per each 100' of expansion for every 15° temp. change from the normal temp. of 50°F.

BILL OF MATERIAL

Item	Unit	Total
Elastomeric Bearing Assembly Type II	Each	12

ILLINOIS DEPARTMENT OF TRANSPORTATION

BEARING DETAILS

FAS 583 (CHS) OVER LAMOINE RIVER  
SECTION 02-00067-00-BR  
SCHUYLER COUNTY  
STATION 54+95.75  
S.N. 085-3054

SCALE: VERT. HORIZ. DATE: 6/7/05	DRAWN BY: LANDREY DESIGNED BY: MATHUR CHECKED BY: TRELLO	COMPUTER FILE NO. SN0820305.BRG
		PROJECT 02157 9/25/06-MML

REVISIONS	
NAME	DATE

FILE NAME = J:\D2157\DRAWINGS\SN085-3054\SN0853054\_BRG.dgn  
PLOT SCALE = 0.0000  
PLOT TIME = 3:42:37 PM  
OPERATOR = michellel

I-2-E2

10-22-04