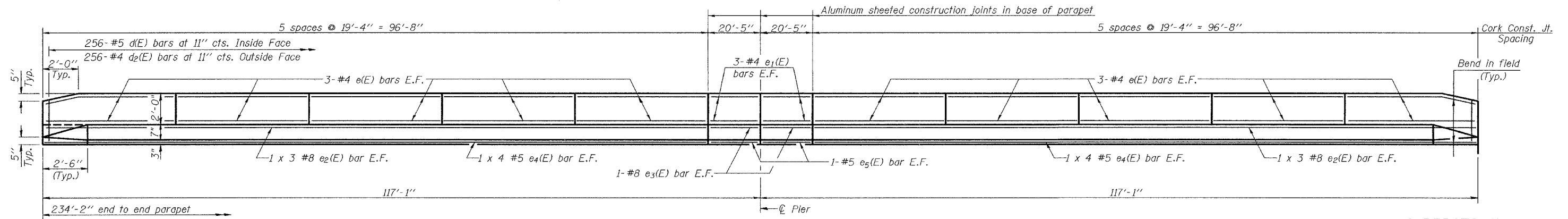


STATE OF ILLINOIS
DEPARTMENT OF TRANSPORTATION

ROUTE NO. F.A.I. 70	SECTION 25-4HB- 1B	COUNTY EFFINGHAM	SHEETS 67	SHEET NO. 32	SHEET NO. 6 18 SHEETS
FED. ROAD DIST. NO. 7		ILLINOIS		FED. AID PROJECT-	

Contract #94785

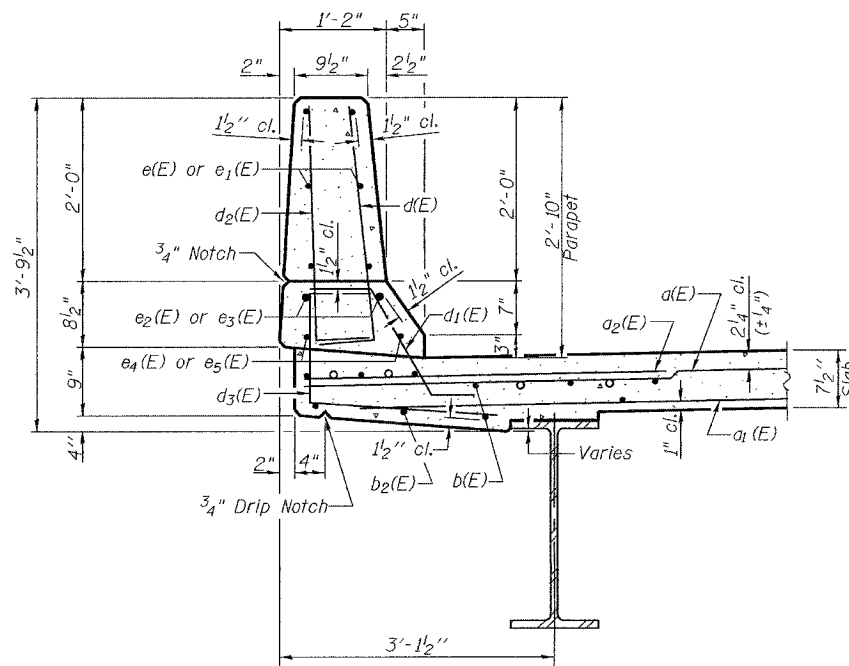


INSIDE ELEVATION OF WEST PARAPET

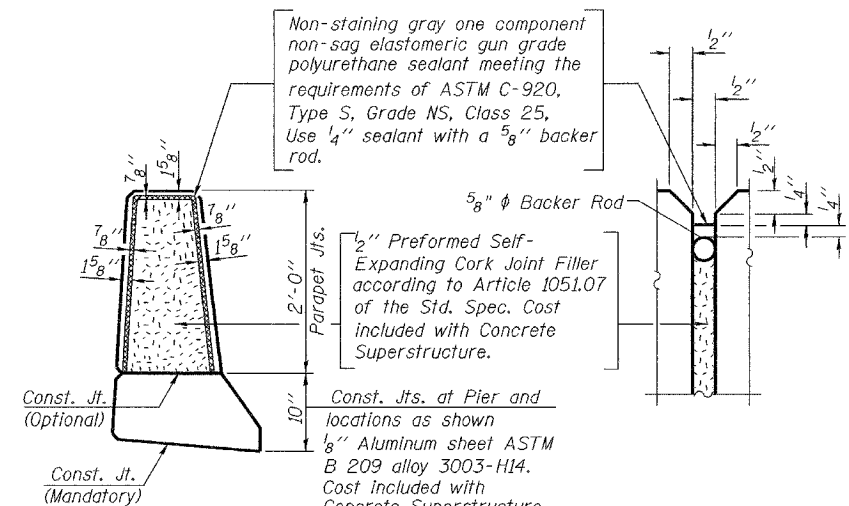
SUPERSTRUCTURE
BILL OF MATERIAL

Bar	No.	Size	Length	Shape
a(E)	375	#5	39'-0"	—
a1(E)	281	#5	37'-4"	—
a2(E)	375	#6	6'-0"	—
a3(E)	4	#5	39'-11"	—
b(E)	392	#5	30'-9"	—
b1(E)	120	#6	26'-1"	—
b2(E)	324	#5	27'-6"	—
c(E)	256	#5	3'-0"	┌
c1(E)	250	#5	2'-5"	└
c2(E)	256	#4	3'-10"	┌
c3(E)	256	#4	3'-10"	└
c4(E)	6	#5	2'-2"	┌
c5(E)	256	#6	4'-4"	└
c6(E)	256	#4	6'-0"	┌
c7(E)	56	#4	2'-0"	└
d(E)	234	#5	2'-5"	—
d1(E)	232	#5	5'-9"	—
d2(E)	2	#5	5'-10"	—
e(E)	120	#4	19'-0"	—
e1(E)	24	#4	20'-2"	—
e2(E)	12	#8	34'-5"	—
e3(E)	4	#8	20'-2"	—
e4(E)	16	#5	25'-5"	—
e5(E)	4	#5	20'-2"	—
m(E)	4	#6	39'-0"	—
m1(E)	6	#6	40'-1"	—
m2(E)	24	#6	9'-0"	—
m3(E)	10	#6	6'-5"	—
m4(E)	4	#6	3'-3"	—
s(E)	72	#5	6'-11"	┌
s1(E)	72	#4	12'-1"	└
v(E)	76	#5	3'-8"	┌
Reinforcement Bars, Epoxy Coated	Pound		69780	
Concrete Superstructure	Cu. Yds.		350.1	

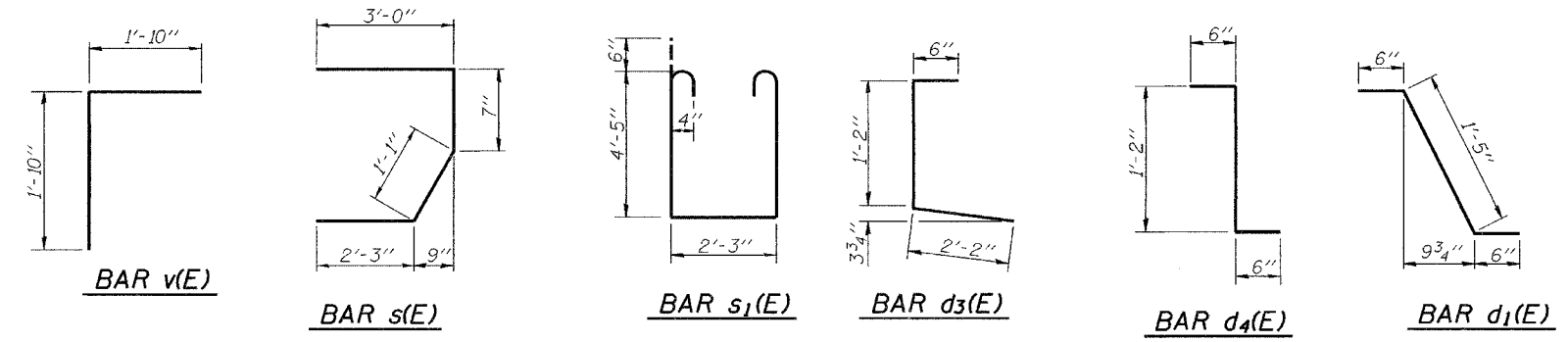
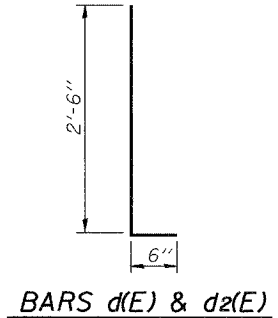
MIN. BAR LAPS
#5 bar = 1'-8"
#8 bar = 3'-5"



SECTION THRU WEST PARAPET



PARAPET JOINT DETAILS



DESIGNED *Dhruv Narielwala*
CHECKED *Steve Ryan*
DRAWN *R. Sommer*
CHECKED *DPN/SMR*

September 28, 2006
EXAMINED *Thomas J. Domagalaki*
PASSED *Ralph E. Anderson*
ENGINEER OF BRIDGES AND STRUCTURES

SUPERSTRUCTURE DETAILS
F.A.I. RT. 70 SEC. (25-4HB-1B)
EFFINGHAM COUNTY
STATION 49+98.84
STRUCTURE NO. 025-0102