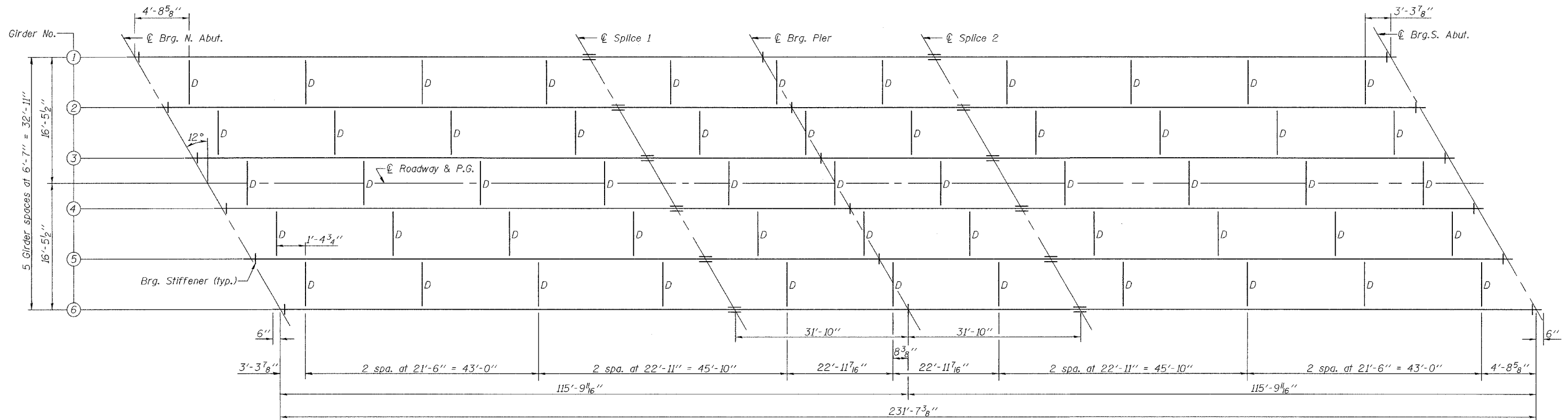


STATE OF ILLINOIS
DEPARTMENT OF TRANSPORTATION

ROUTE NO.	SECTION	COUNTY	STATION	SHEET	SHEET NO. 10 18 SHEETS
F.A.I. 70	25-4HB-1B	EFFINGHAM	67	36	
FED. ROAD DIST. NO. 7	ILLINOIS	FED. AID PROJECT-			

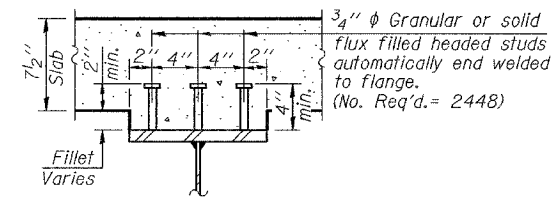
Contract #94785



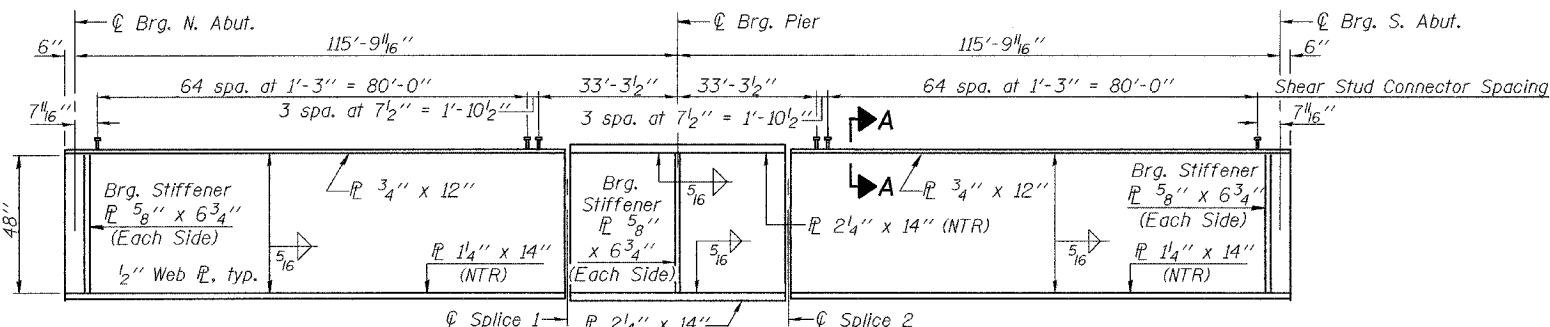
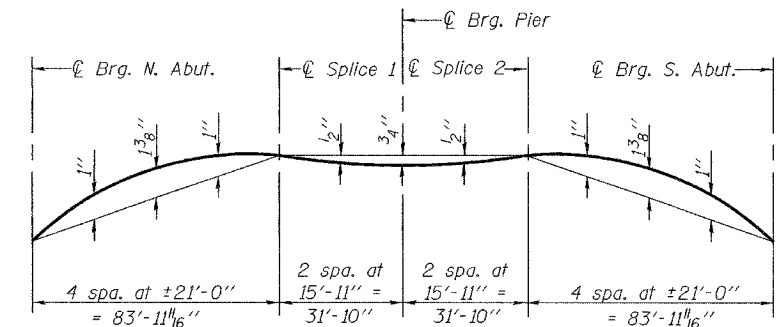
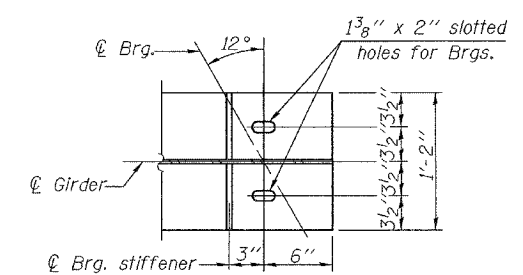
*TOP OF WEB ELEVATIONS

Location	℄ Brg. N. Abut.	℄ Splice 1	℄ Brg. Pier	℄ Splice 2	℄ Brg. S. Abut.
Girder 1	623.80	624.20	624.15	624.22	623.86
Girder 2	623.94	624.33	624.27	624.34	623.97
Girder 3	624.06	624.44	624.38	624.44	624.06
Girder 4	624.07	624.44	624.37	624.43	624.05
Girder 5	623.98	624.34	624.27	624.33	623.93
Girder 6	623.87	624.22	624.15	624.20	623.79

*For fabrication only.



FRAMING PLAN

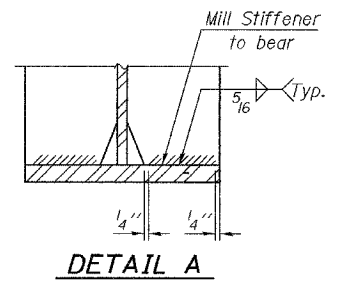
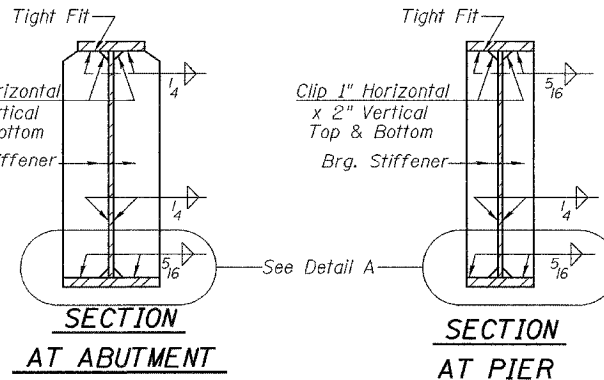


"NTR" denotes plates to which Notch Toughness Requirements are applicable. Bearing Stiffener Plates shown. Connection plates not shown. All plates, including Bearing Stiffeners, are AASHTO M270 Gr. 50.

DESIGNED	Dhruv Narielwala
CHECKED	Sreya Ryan
DRAWN	R. Sommer
CHECKED	DPN/SMR

September 28, 2006
EXAMINED Thomas J. Domagalaki
PASSED Ralph E. Anderson

Note: For remainder of structural steel details see sheet 11 of 18.



STRUCTURAL STEEL
F.A.I. RT. 70 SEC. (25-4HB-1B)
EFFINGHAM COUNTY
STATION 49+98.84
STRUCTURE NO. 025-0102