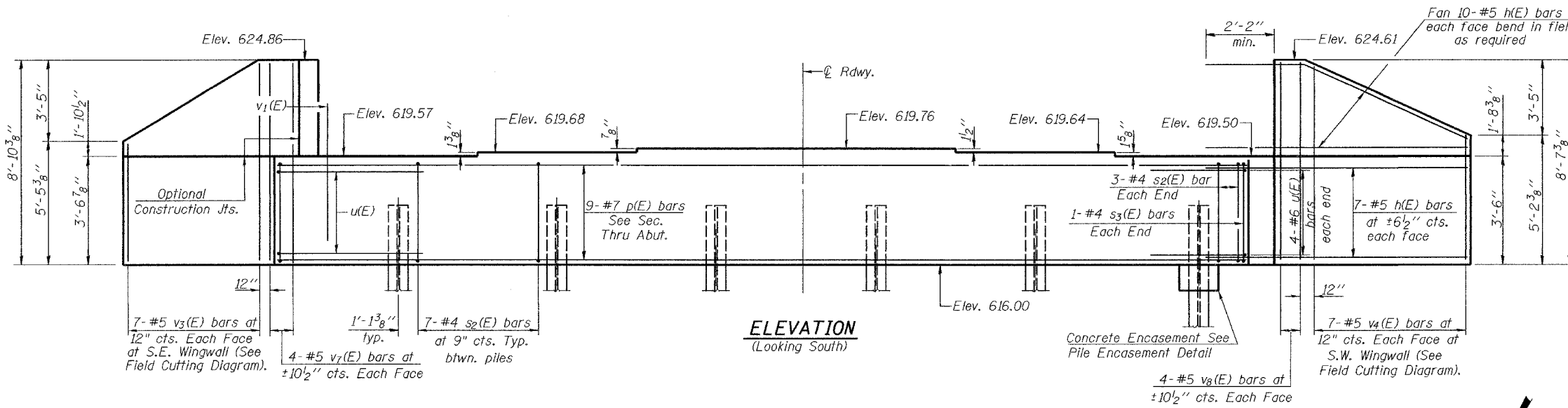


Notes: Four steps monolithically with cap.
 Reinforcement bars designated (E) shall be epoxy coated.
 Space reinforcement in cap to miss anchor bolts.
 For anchor bolt installation details see sheet 12 of 18.

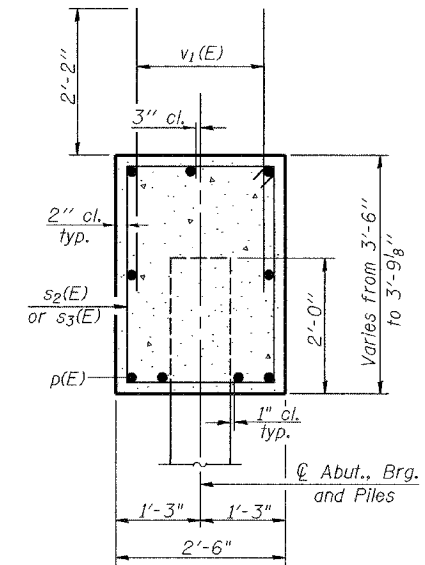
STATE OF ILLINOIS
 DEPARTMENT OF TRANSPORTATION

ROUTE NO.	SECTION	COUNTY	TOTAL SHEETS	SHEET NO.	SHEET NO. 14 18 SHEETS
F.A.I. 70	25-4HB-1B	EFFINGHAM	67	40	
FED. ROAD DIST. NO. 7		ILLINOIS		FED. AID PROJECT	

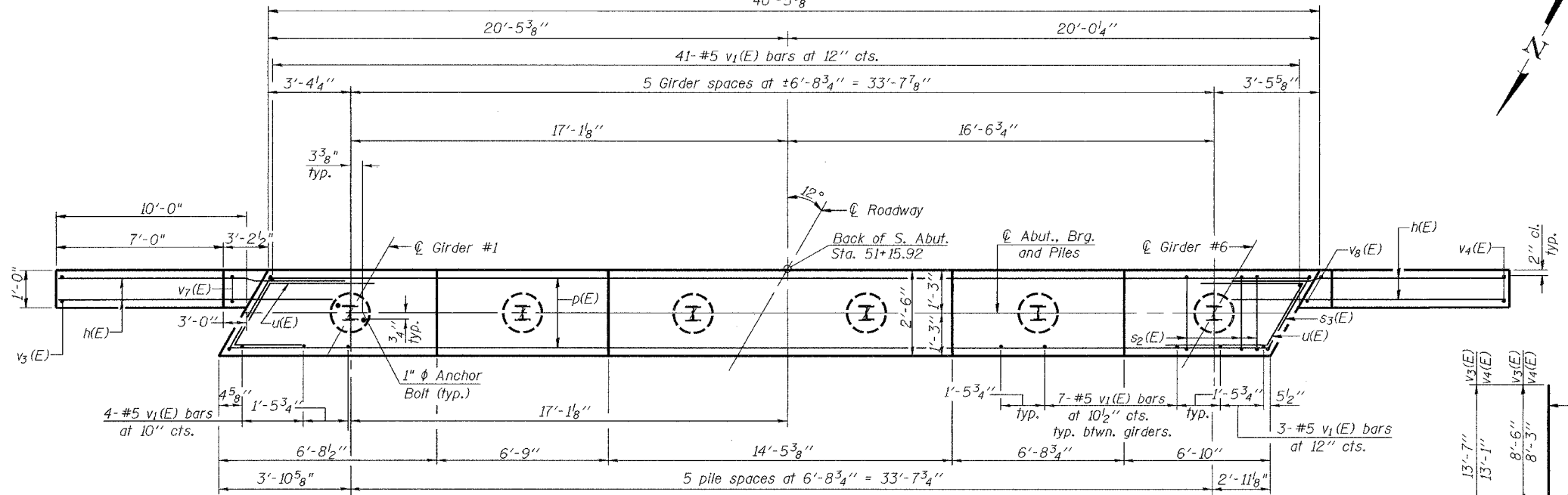
Contract #94785



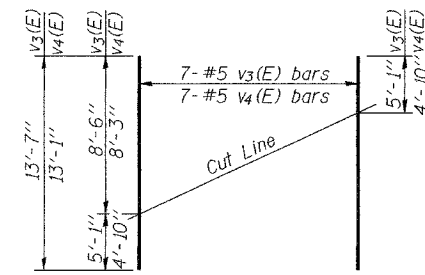
ELEVATION
 (Looking South)



SEC. THRU ABUT.



PLAN



FIELD CUTTING DIAGRAM

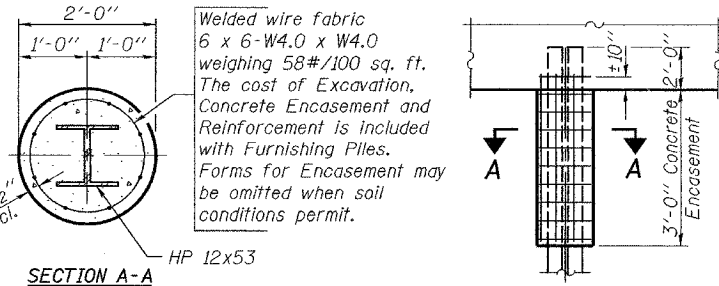
Order v3(E) and v4(E) bars full length. Cut as shown and use remainder of bars in opposite face.

BILL OF MATERIAL

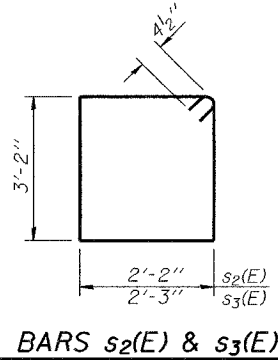
Bar	No.	Size	Length	Shape
h(E)	68	#5	13'-2"	—
p(E)	9	#7	40'-2"	—
s2(E)	41	#4	11'-5"	□
s3(E)	2	#4	11'-7"	□
u(E)	8	#6	7'-3"	┘
v1(E)	84	#5	4'-3"	—
v3(E)	7	#5	13'-7"	—
v4(E)	7	#5	13'-1"	—
v7(E)	8	#5	8'-6"	—
v8(E)	8	#5	8'-3"	—
Concrete Structures		Cu. Yd.	19.0	
Reinforcement Bars		Pound	2790	
Epoxy Coated				
Structure Excavation		Cu. Yd.	75.8	
Furnishing Steel		Foot	285	
Piles HP12x53		Foot	285	
Driving Piles		Foot	285	
Pile Shoes		Each	6	
Test Pile Steel HP 12x53		Each	1	

PILE DATA

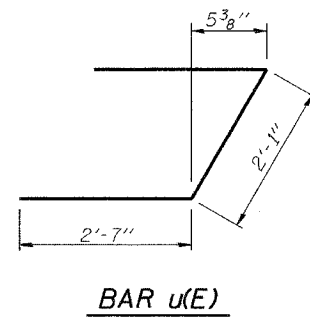
Type & Size: Steel HP 12x53 with Pile Shoes
 Nominal Required Bearing: 400 kips
 Factored Resistance Available: 200 kips
 Estimated Pile Length: 57 feet
 Number of Production Piles: 5
 Number of Test Piles: 1



PILE ENCASEMENT DETAIL



BARS s2(E) & s3(E)



BAR u(E)

DESIGNED	Dhruv Narielwala
CHECKED	Steve Ryan
DRAWN	R. Sommer
CHECKED	DPN/SMR

September 28 2006
 EXAMINED *Thomas J. Domagalaki*
 ENGINEER OF BRIDGE DESIGN
 PASSED *Ralph E. Anderson*
 ENGINEER OF BRIDGES AND STRUCTURES

SOUTH ABUTMENT
F.A.I. RT. 70 SEC. (25-4HB-1B)
EFFINGHAM COUNTY
STATION 49+98.84
STRUCTURE NO. 025-0102