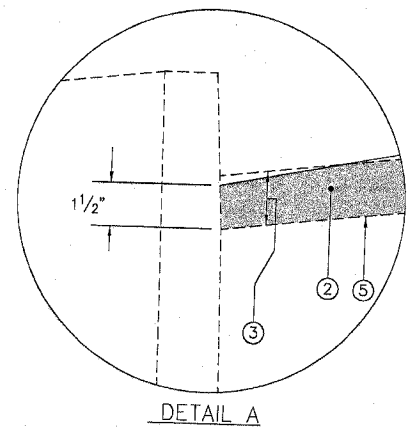
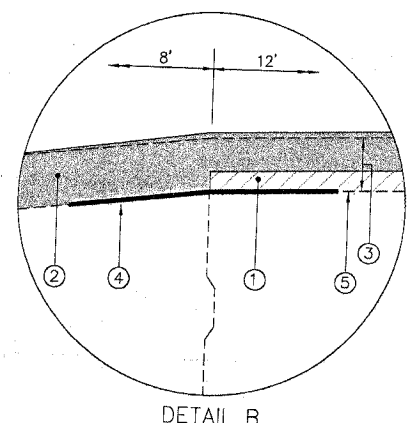


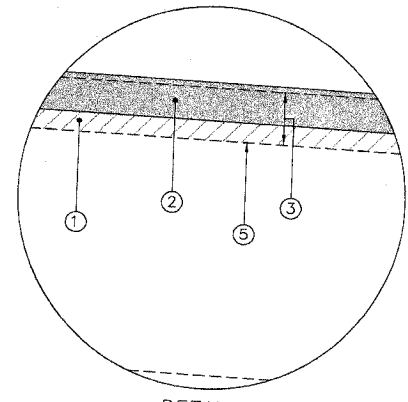
SECTION NO.	COUNTY HIGHWAY	COUNTY	SHEET OF SHEETS
05-00215-00-RS	N/A	ST. CLAIR	4 OF 9
	ILLINOIS	FEDERAL AID PROJECT	
		CONTRACT NO. 97283	



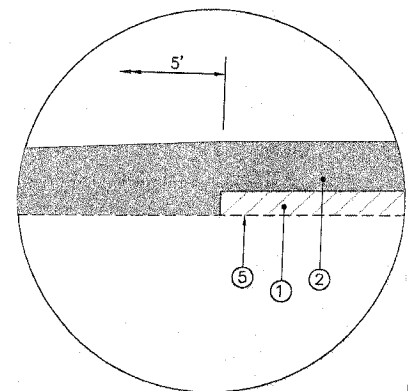
DETAIL A



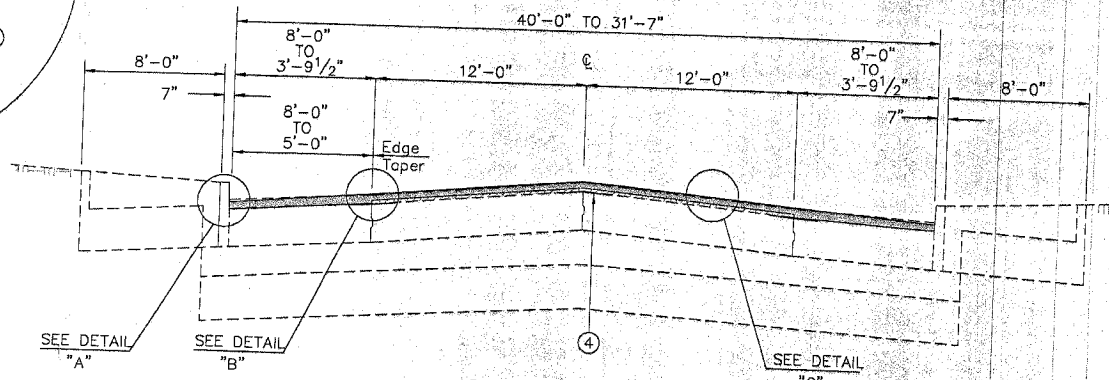
DETAIL B



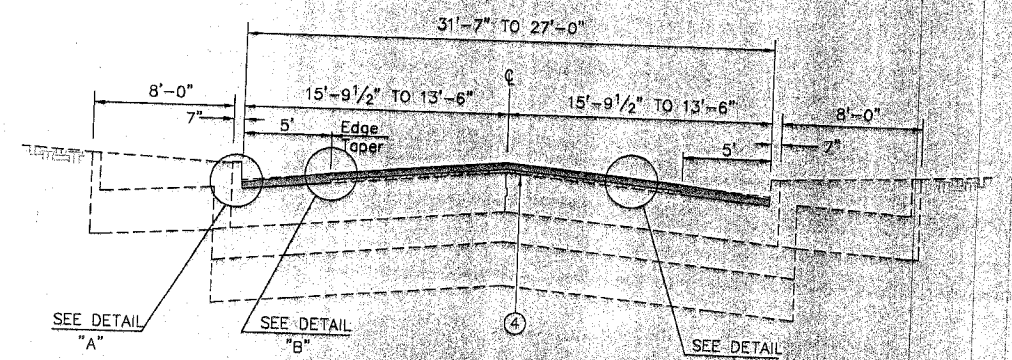
DETAIL C



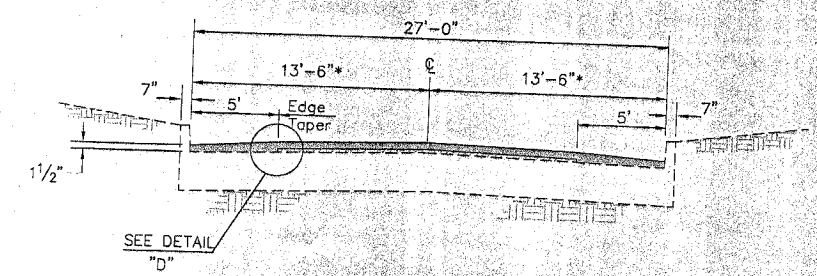
DETAIL D



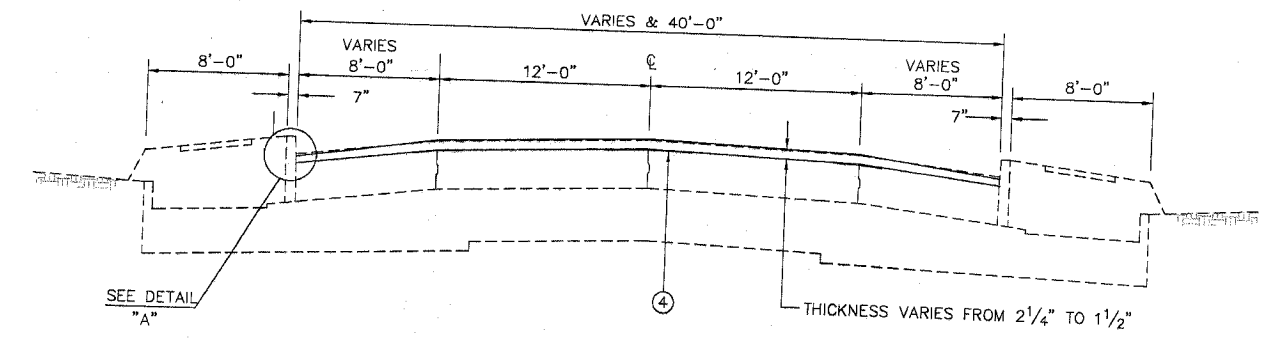
PROPOSED TYPICAL SECTION
STA. 7+10.9 - STA. 9+41.2



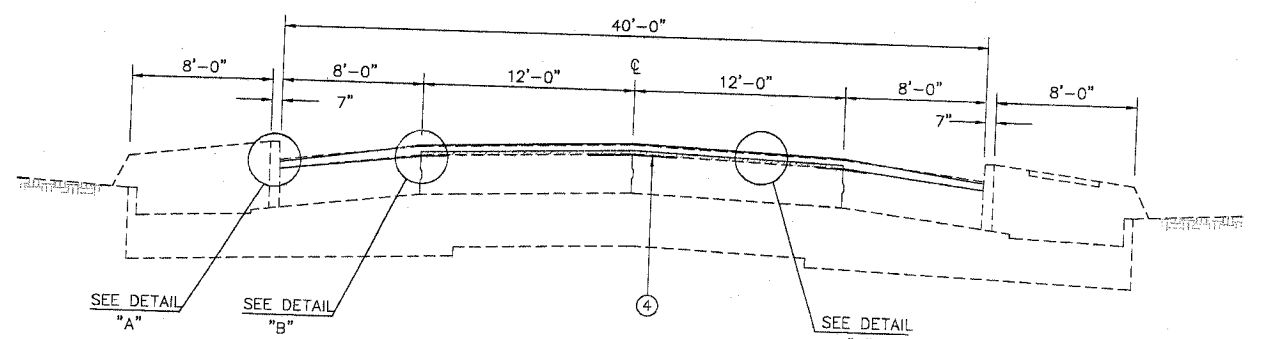
PROPOSED TYPICAL SECTION
STA. 9+41.2 - STA. 10+17.3



PROPOSED TYPICAL SECTION
STA. 10+17.3 - STA. 21+46.6
* : WIDTH VARIES FROM STA. 21+13.60 TO STA. 21+46.6



PROPOSED TYPICAL SECTION
STA. 0+20.7 - STA. 0+68.6



PROPOSED TYPICAL SECTION
STA. 0+68.6 - STA. 7+10.9

NOTE: SEE PLAN SHEETS FOR ADDITIONAL INFORMATION REGARDING AREA REFLECTIVE CRACK CONTROL TREATMENT

- LEGEND**
- ① LEVELING BINDER (MACHINE METHOD), SUPERPAVE N70, 3/4 INCH
 - ② BITUMINOUS CONCRETE SURFACE COURSE, SUPERPAVE, MIX "C", N50, 1 1/2 INCH
 - ③ BITUMINOUS CONCRETE SURFACE REMOVAL, 1 3/4
 - ④ STRIP REFLECTIVE CRACK CONTROL TREATMENT
 - ⑤ BITUMINOUS MATERIALS (PRIME COAT)/AGGREGATE (PRIME COAT)

	INITIALS	DATE
DESIGNED	RGEORGEN	8/05
CHECKED		
DRAWN	DSENNE	8/05
CHECKED	R GEORGEN	12/05
PREPARED BY ST. CLAIR COUNTY		
DRAWING FILE: TYPSECTIONS		

PROPOSED TYPICAL SECTIONS