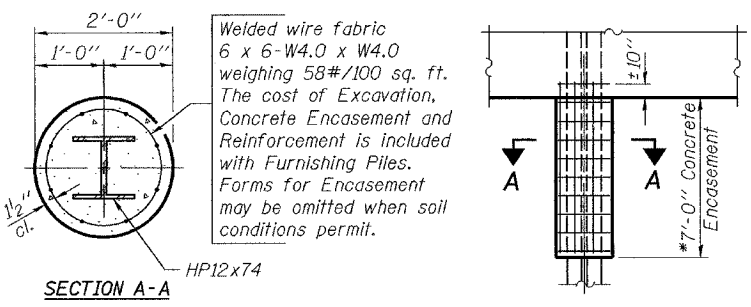


STATE OF ILLINOIS
DEPARTMENT OF TRANSPORTATION

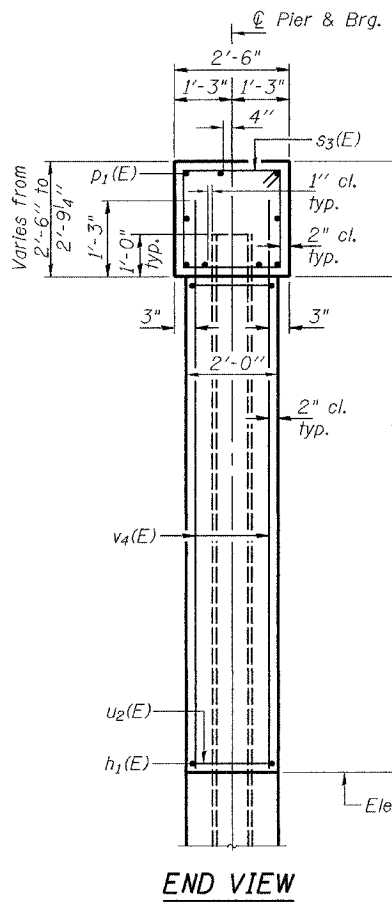
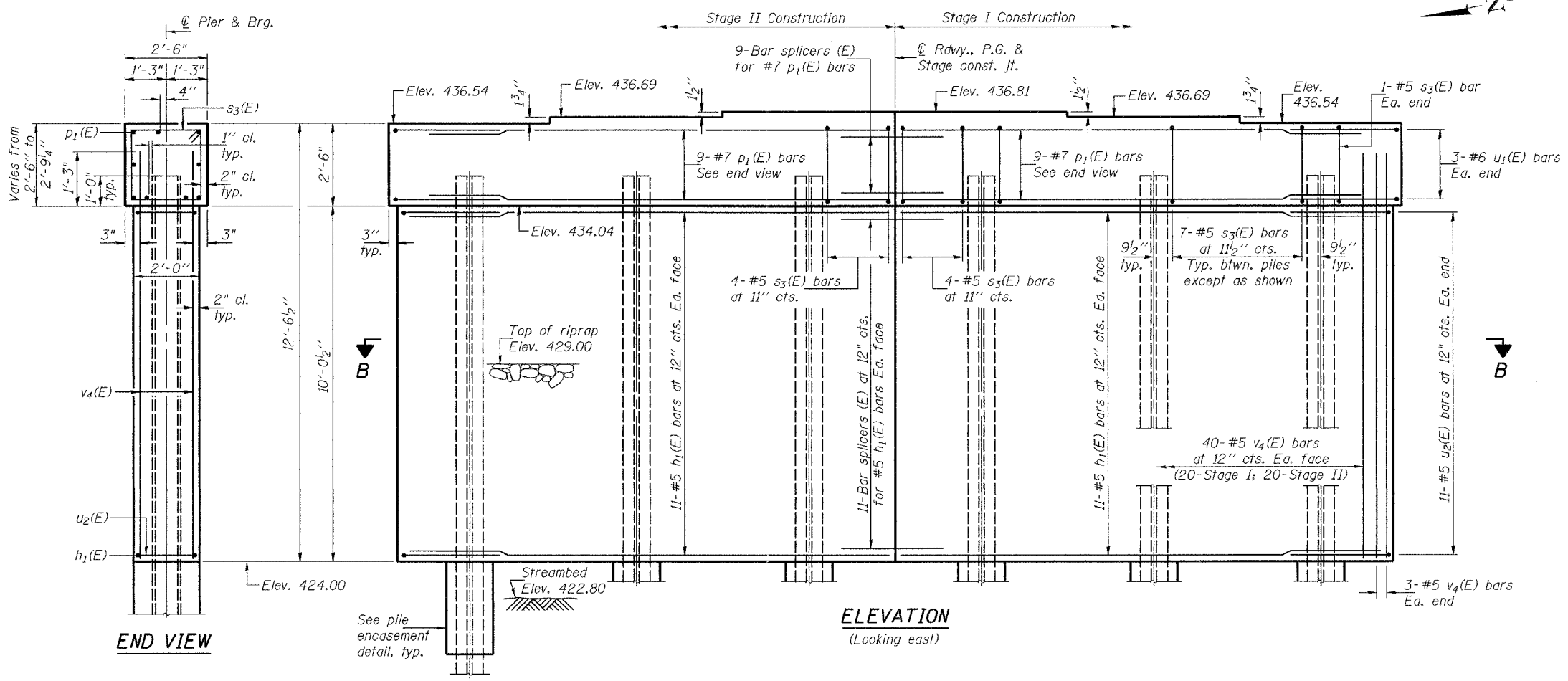
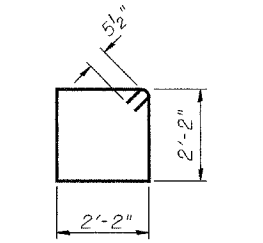
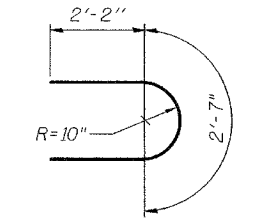
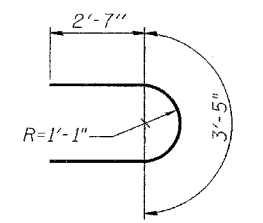
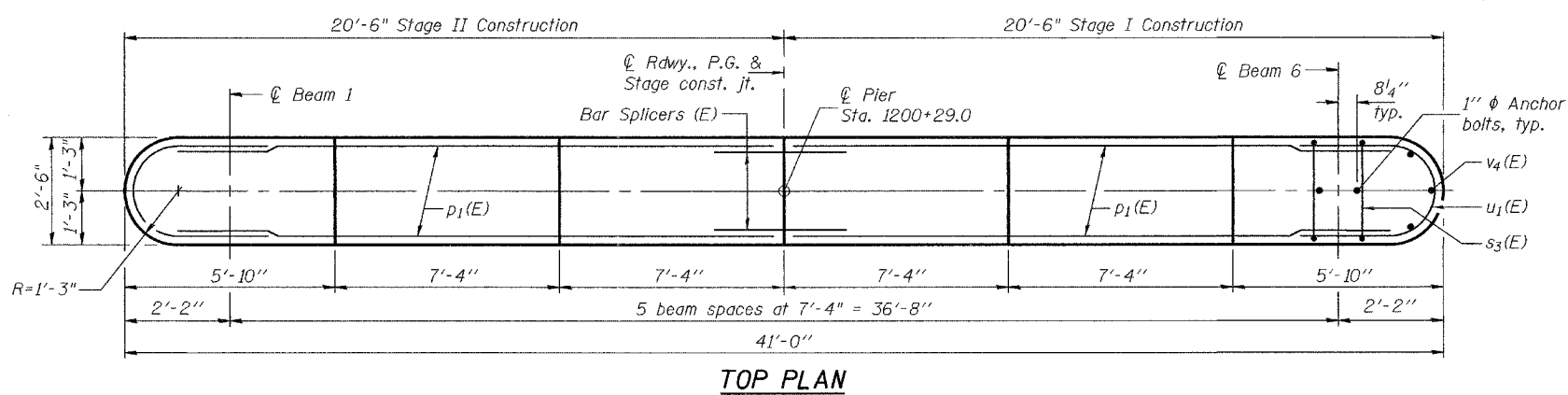
ROUTE NO.	SECTION	COUNTY	TOTAL SHEETS	SHEET NO.	SHEET NO. 14
FAP 821	13B-1	JEFFERSON	39	27	17 SHEETS
FED. ROAD DIST. NO. 7	ILLINOIS	FED. AID PROJECT-			

Contract #98957



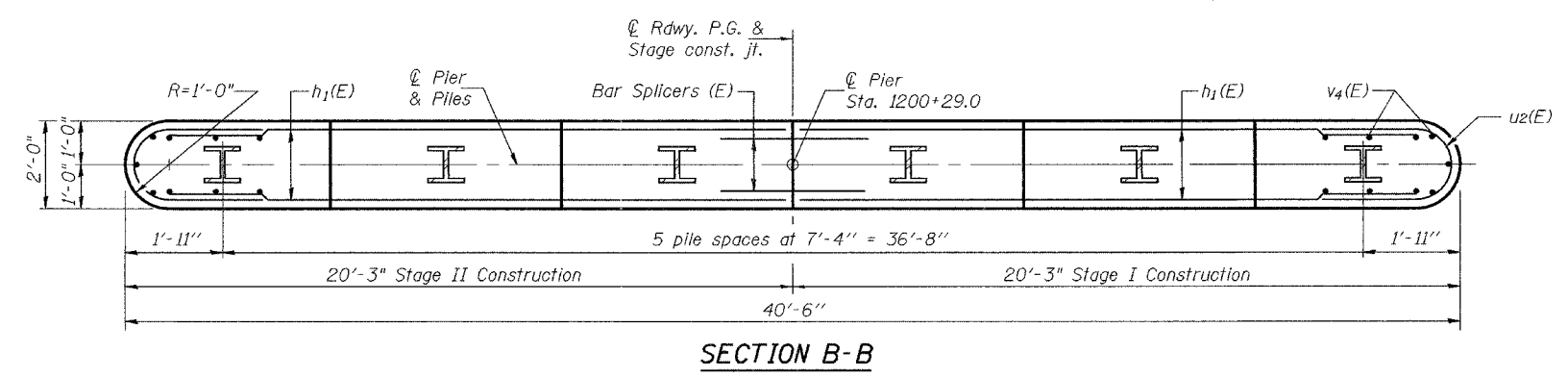
PILE DATA

Type: HP12x74
Nominal Required Bearing: 589 Kips
Factored Resistance Available: 294 Kips
Estimated Pile Length: 48.5'
No. Required: 6



* Forms shall be placed below Elev. 424.00 after excavation for pier wall. Reinforcement and concrete encasement shall be poured underwater into forms. The cost of concrete encasement, reinforcement, form excavation, and furnishing and placing form is included with Furnishing Piles. If a portion of the pier wall is under water, concrete shall be tremied under water into forms according to Article 503.08 of the Standard Specifications. Concrete shall be tremied to an elevation 1'-0" above the water level at the time of construction.

Notes: Pour steps monolithically with cap.
For bar splicer details, see sheet 15 of 17.
For anchor bolt installation details, see sheet 11 of 17.



BILL OF MATERIAL

Bar	No.	Size	Length	Shape
h1(E)	44	#5	19'-1"	—
p1(E)	18	#7	19'-1"	—
s3(E)	38	#5	9'-7"	□
u1(E)	6	#6	8'-7"	U
u2(E)	22	#5	6'-11"	U
v4(E)	86	#5	11'-2"	—
Concrete Structures	Cu. Yd.		39.6	
Reinforcement Bars, Epoxy Coated	Pound		3200	
Structure Excavation	Cu. Yd.		31	
Furnishing Steel Piles HP12x74	Foot		291	
Driving Piles	Foot		291	
Underwater Structure Excavation Protection, Location 1	Each		1	

Reinforcement Bars designated (E) shall be epoxy coated.

PIER
F.A.P. RT. 821 - SECTION 13B-1
JEFFERSON COUNTY
STATION 1200+35.00
STRUCTURE NO. 041-0106

DESIGNED	R.L. Tharp
CHECKED	P.R. Litchfield
DRAWN	h.t. duong
CHECKED	RLT/PRL

Aug. 31, 2006
EXAMINED *Thomas J. Damagala*
PASSED *Ralph E. Anderson*
ENGINEER OF BRIDGE DESIGN
ENGINEER OF BRIDGES AND STRUCTURES