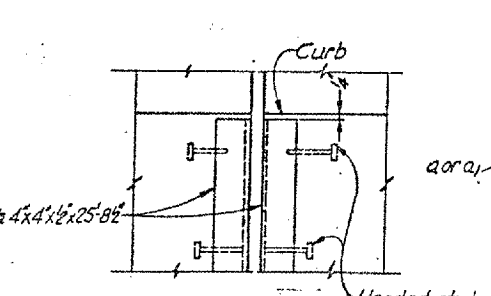
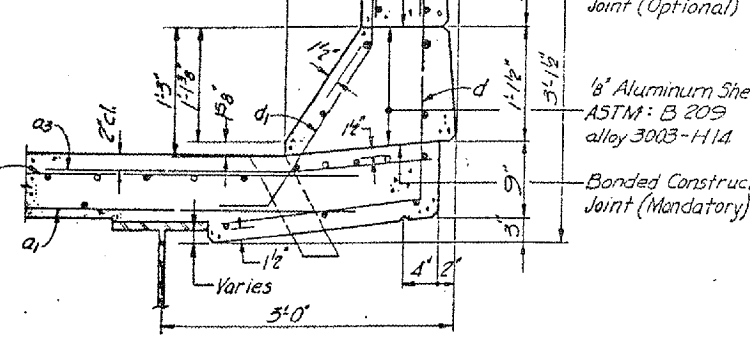


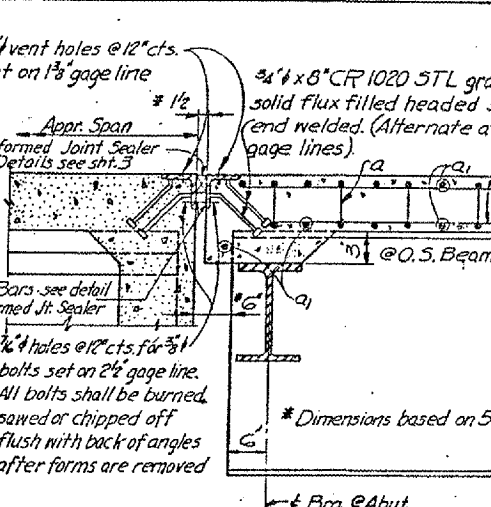
FLOOR DRAIN



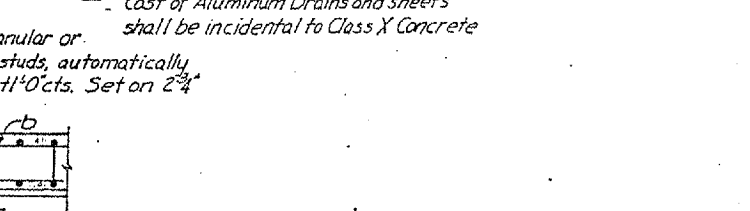
SECTION C-C



SECTION A-A



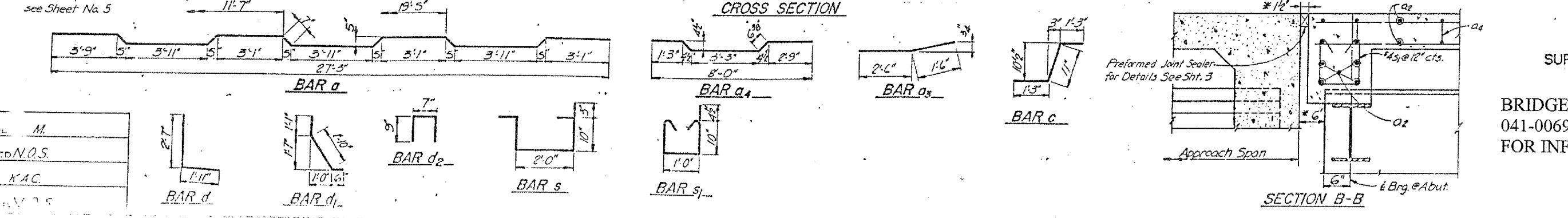
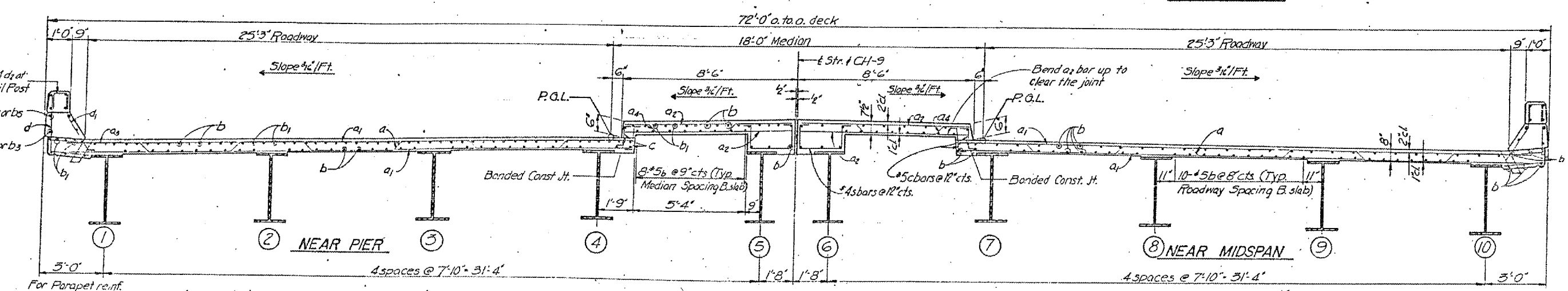
MEDIAN CURB GEOMETRICS



**SPANS 1 & 2
BILL OF MATERIAL**

Bar	Na	Size	Length	Shape
a	434	#5	28'-3"	—
a ₁	872	#5	27'-3"	—
a ₂	744	#5	8'-0"	—
a ₃	436	#6	4'-0"	—
a ₄	362	#5	8'-4"	—
b	850	#5	37'-3"	—
b ₁	66	#6	34'-0"	—
b ₂	16	#5	38'-0"	—
b ₃	8	#5	13'-2"	—
b ₄	16	#8	38'-0"	—
b ₅	8	#8	13'-2"	—
c	728	#5	3'-5"	└
d	364	#4	4'-6"	└
d ₁	364	#5	3'-5"	└
d ₂	80	#4	2'-1"	└
s	364	#4	4'-2"	└
s ₁	24	#4	3'-5"	└
Reinforcement Bars				Lbs. 94,820
Class X Concrete				Cu. Yds. 372.0

The lengths and quantities of longitudinal reinforcement and Class X Concrete in parapets are not included in above quantities. See Sheet No. 5



BRIDGE NO. 3
041-0069
FOR INFORMATION ONLY