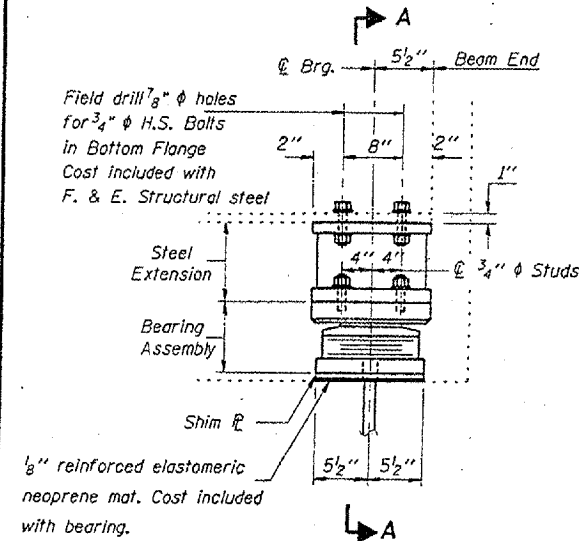
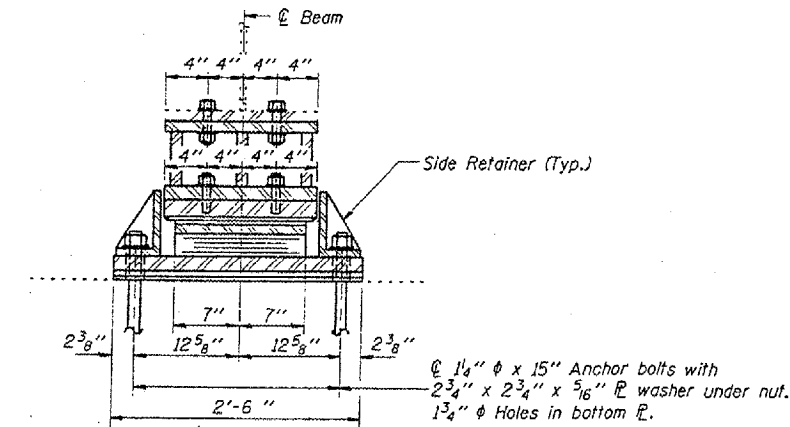


GIRDER REACTIONS

RP	(K)	45.4
R <sub>L</sub>	(K)	45.3
Imp.	(K)	11.0
R (Total)	(K)	101.7



ELEVATION AT ABUTMENTS



SECTION A-A

Notes:

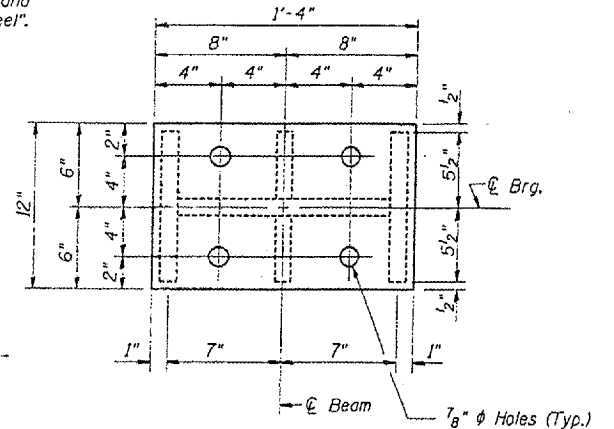
Existing diaphragm removal and new diaphragm erection shall be coordinated with drilling holes in bottom flange for bearing attachment, if necessary, to provide clearance for the drill.

New steel extensions, side retainers, connection bolts, Shim  $\rho$ 's and anchor bolts are included in "Furnishing and Erecting Structural Steel".

See sheet 9 of 10 for Anchor Bolt installation.

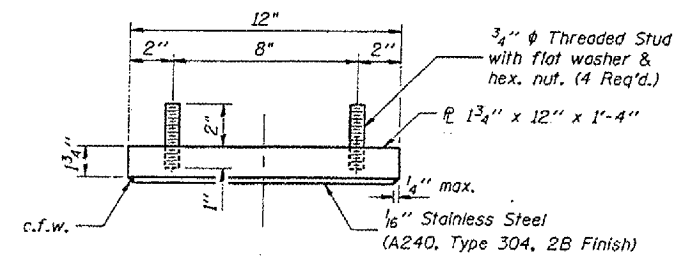
Prior to ordering any material, the Contractor shall verify in the field all bearing height and shim thickness dimensions.

The minimum jack capacity required is 56 Tons.

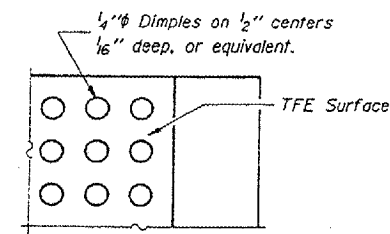


PLAN-TOP & BOTTOM PLATE

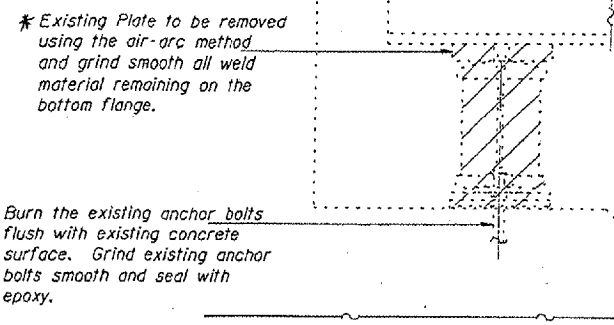
TYPE II TFE ELASTOMERIC EXP. BRG.



TOP BEARING ASSEMBLY



PLAN-TFE SURFACE

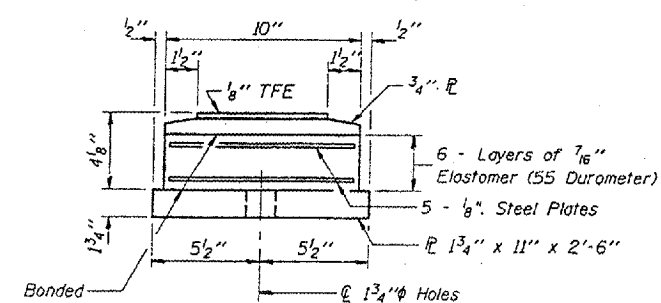


EXISTING BEARING REMOVAL DETAIL

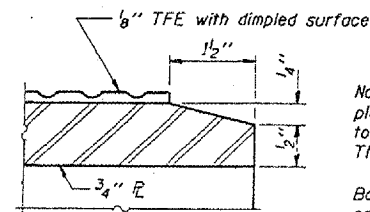
\* Cost is included with Jack and Remove Existing Bearings

Note: The  $\frac{1}{8}$ " TFE sheet shall be bonded directly to the top steel plate with a two-component, medium viscosity epoxy resin, conforming to the requirements of the Federal Specification MMM-A-134, Type I. The bond agent shall be applied on the full area of the contact surfaces.

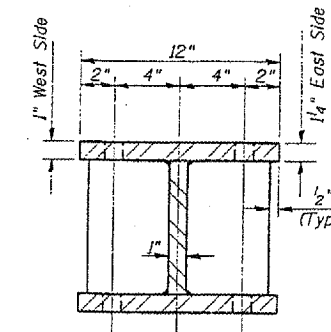
Bonding of  $\frac{1}{8}$ " TFE sheet during vulcanizing process will be permitted provided the process and method of adjusting assembly height is approved by the Engineer.



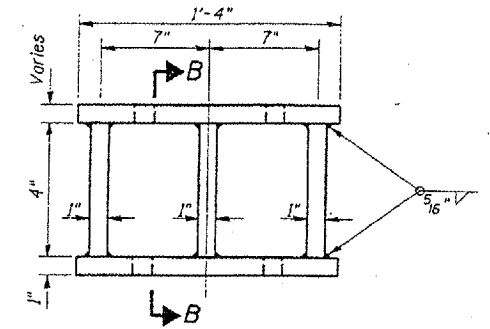
BOTTOM BEARING ASSEMBLY



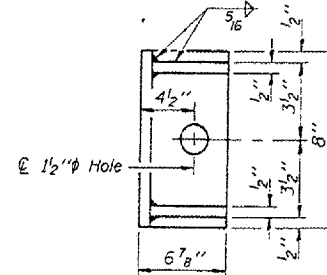
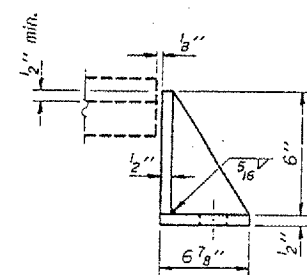
SECTION THRU TFE



SECTION B-B

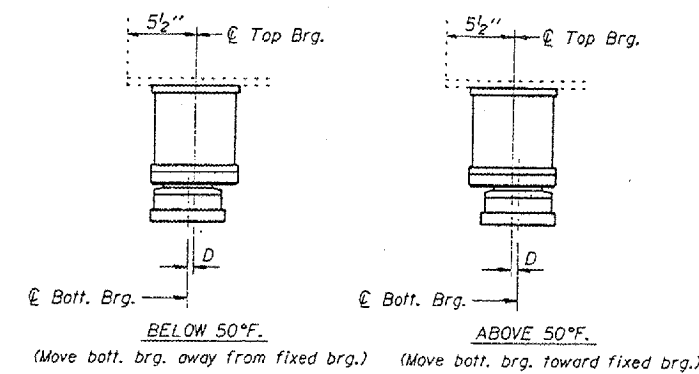


STEEL EXTENSION DETAIL



SIDE RETAINER

Equivalent rolled angle with stiffeners will be allowed in lieu of welded plates.



SETTING ANCHOR BOLTS AT EXP. BRG.

$D = \frac{1}{8}$ " per each 100' of expansion for every 15° temp. change from the normal temp. of 50°F.

BILL OF MATERIAL

Item	Unit	Total
Elastomeric Bearing Assembly Type II	Each	12
Jack and Remove Existing Bearings	Each	12

DESIGNED	T. Wayne Halstead
CHECKED	Mike Stephenson
DRAWN	T. Wayne Halstead
CHECKED	TWH MAS CMW