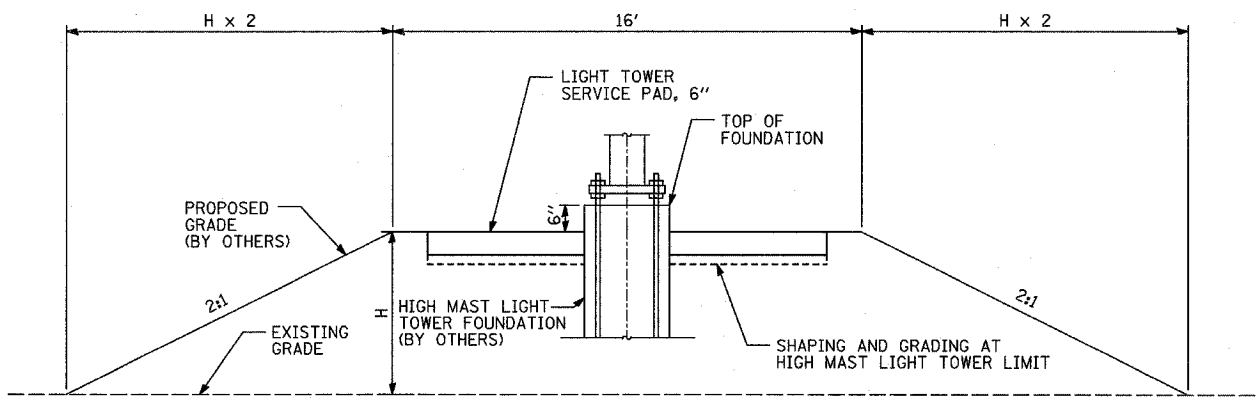
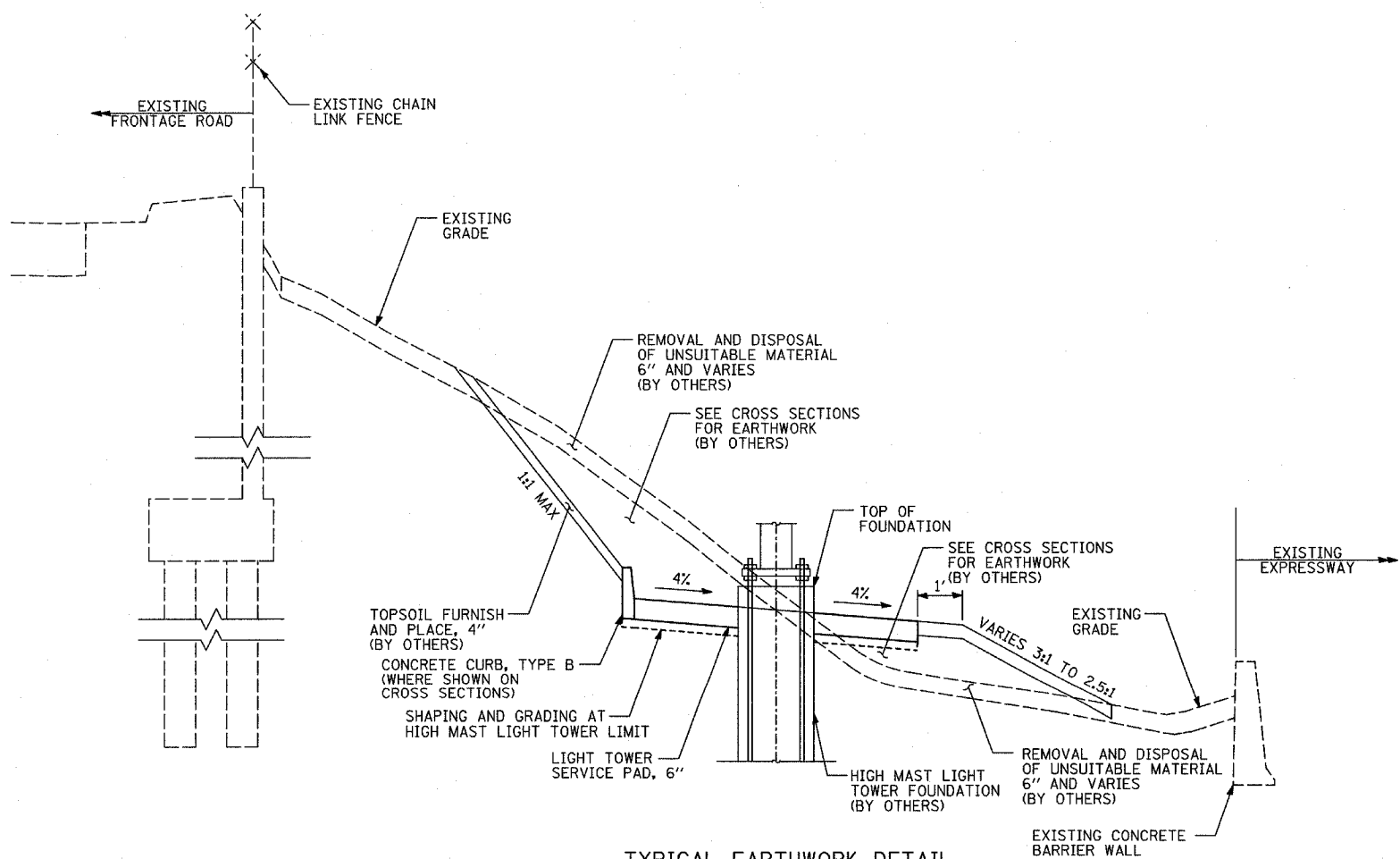


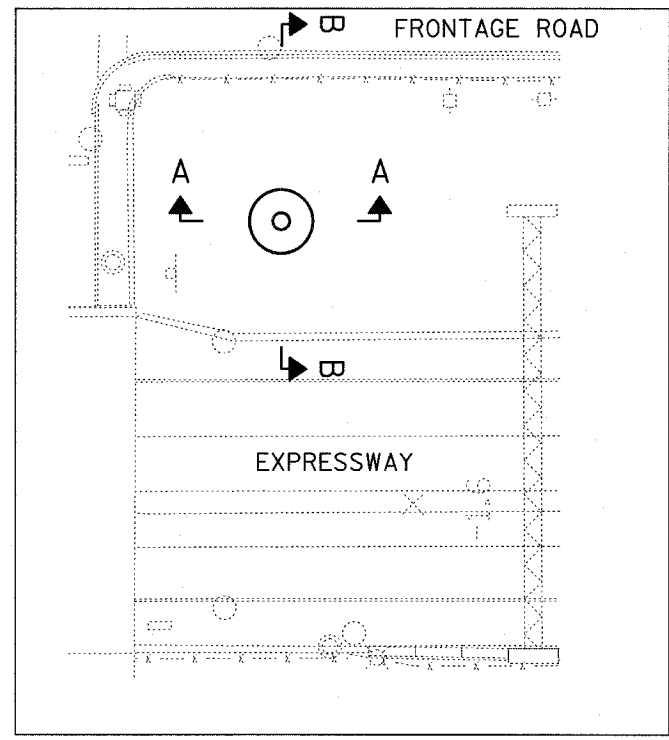
CUT GRADING DETAIL SECTION A-A



FILL GRADING DETAIL SECTION A-A



TYPICAL EARTHWORK DETAIL SECTION B-B



TYPICAL PLAN

REVISIONS	
NAME	DATE

ILLINOIS DEPARTMENT OF TRANSPORTATION
 F.A.I. 94 (DAN RYAN EXPRESSWAY)
 I-57 TO 71st STREET
 HIGH MAST LIGHT TOWER SERVICE
 PAD GRADING DETAIL

SCALE: 1"=20'
 DATE: AUGUST 19, 2005
 DRAWN BY: RTM
 CHECKED BY: TGB