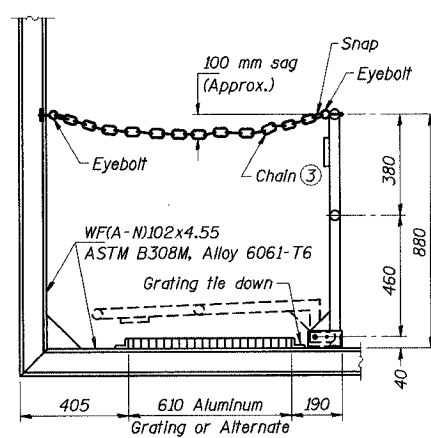


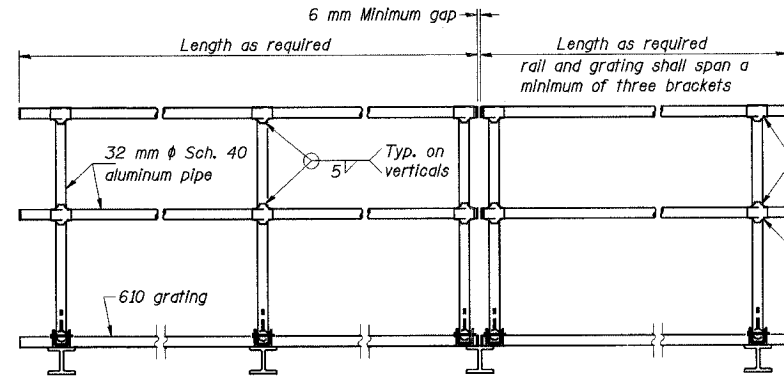
STATE OF ILLINOIS
DEPARTMENT OF TRANSPORTATION

ROUTE NO.	SECTION	COUNTY	TOTAL SHEETS	SHEET NO.
F. A. I. 80/94	*	COOK	870	323
FED. ROAD DIST. NO. 1		ILLINOIS	FED. AID PROJECT-	
* (0203.1 & 0312-708M) R3		CONTRACT NO. 62108		



SIDE ELEVATION

(Showing safety chain w/o sign)

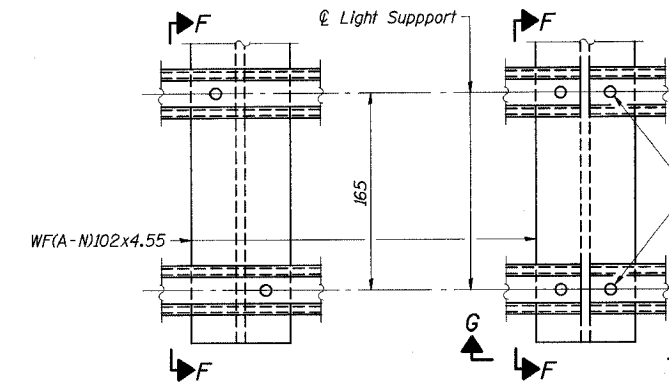


FRONT ELEVATION

HANDRAIL DETAILS

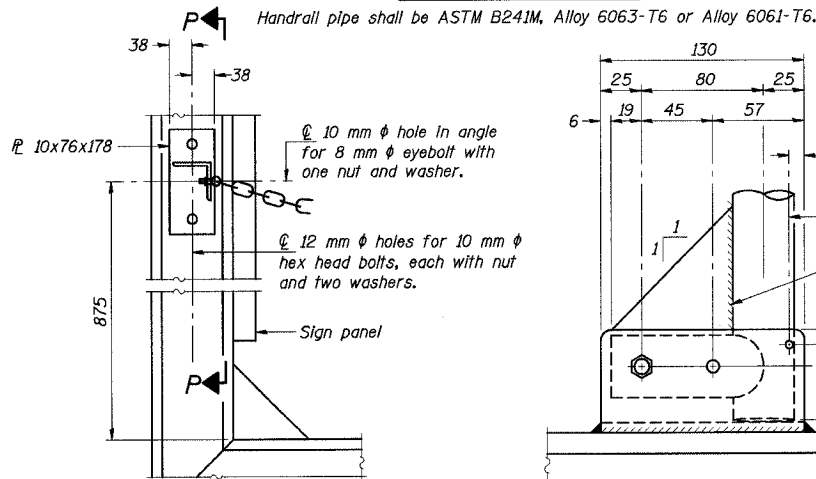
① Install standard force-fit end caps or weld 3 mm end plates with 3 mm c.f.w. and grind smooth. (All rail ends)

② Horizontal handrail member shall be continuous thru fitting. Provide 12 mm hole in fitting for 10 mm bolt. Field drill 12 mm hole in horizontal rail member. Provide locknut and two stainless steel washers for bolt. (Use 8 mm eyebolts in 12 mm holes on top rail at ends only.)



DETAIL F

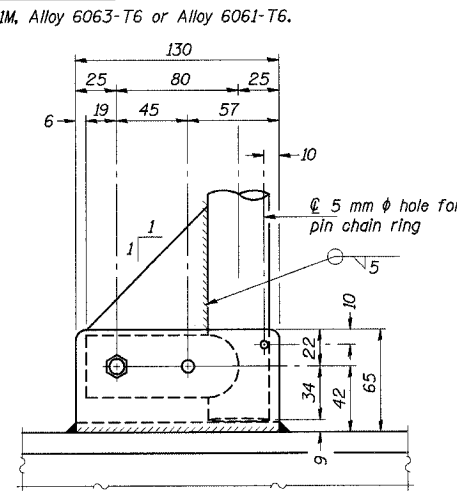
DETAIL G



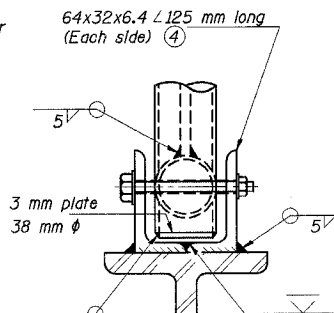
ALTERNATE SAFETY CHAIN ATTACHMENT

(With Sign Present)

Items not shown same as "Side Elevation" of "Handrail Details"

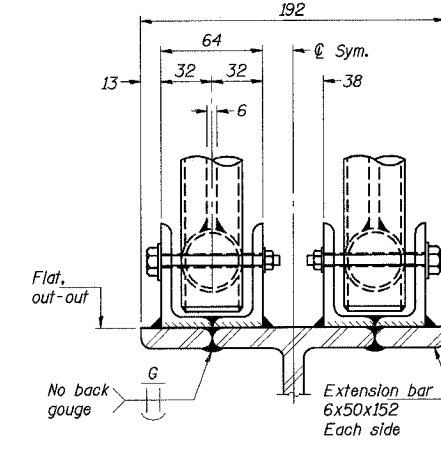


SIDE ELEVATION



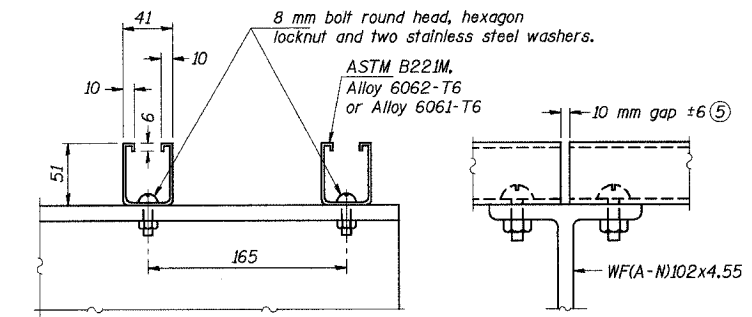
FRONT ELEVATION

See "ELEVATION" at right for dimensions.



ELEVATION AT HANDRAIL JOINT

Details not shown same as "FRONT ELEVATION"

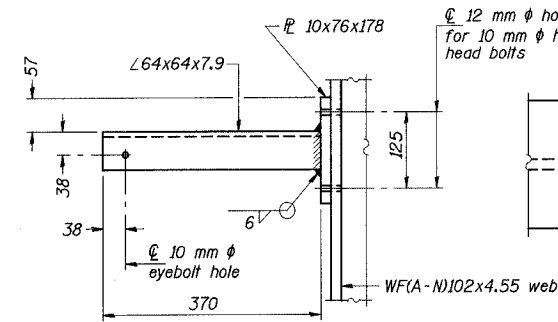


SECTION F-F

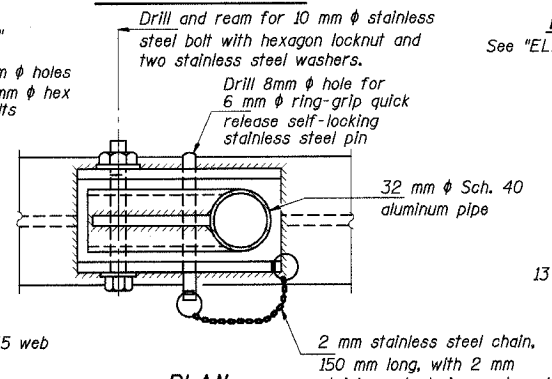
SECTION G-G

LIGHTING FIXTURE MOUNTS (IF REQUIRED)

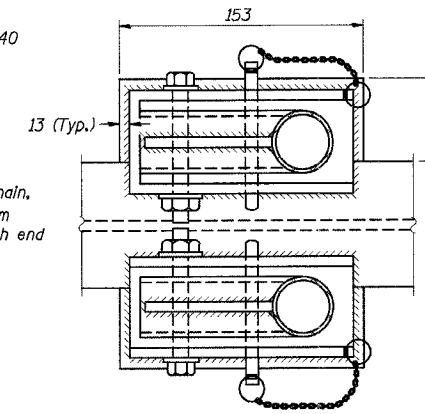
⑤ Field cut ends of light support channels shall be free of burrs or hazardous projections and coated with zinc-rich primer or equivalent.



SECTION P-P

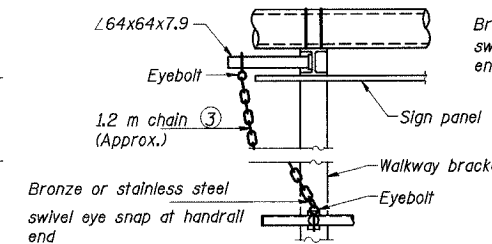


PLAN DETAIL E HANDRAIL HINGE



PLAN AT HANDRAIL JOINT

Details not shown same as "PLAN"

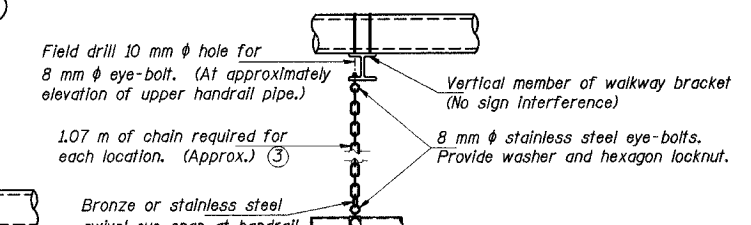


ALTERNATE SAFETY CHAIN ATTACHMENT

Details not shown similar to "Safety Chain" Details (Walkway omitted for clarity)

③ 5 mm galvanized steel chain, approximately 40 links per meter. Chain to be hot dip galvanized after manufacture and suitable for prolonged exterior exposure. Alternate materials may be substituted with the Engineer's approval.

④ Extrusions may be used in lieu of the details shown, with approval of the Engineer.



SAFETY CHAIN

One required for each end of each walkway.

Note: All eyebolts, bolts, nuts and washers shall be stainless steel. For material, see General Notes.

NUMBER	REVISION	DATE

DESIGNED	PY
CHECKED	DD
DRAWN	LK
CHECKED	DD

OS-A-11(M)

11/1/2002

ILLINOIS DEPARTMENT OF TRANSPORTATION
I-80/94/JUS 6 (KINGERY EXPRESSWAY)

OVERHEAD SIGN STRUCTURES
ALUMINUM HANDRAIL DETAILS

DATE: JUL 18, 2005
SCALE: ---

HNTB

JBeauchamp
E:\34562\CAUD\bl\Signa\Contract19\cda\sa190344a.dgn
08-JUL-2005 15:32