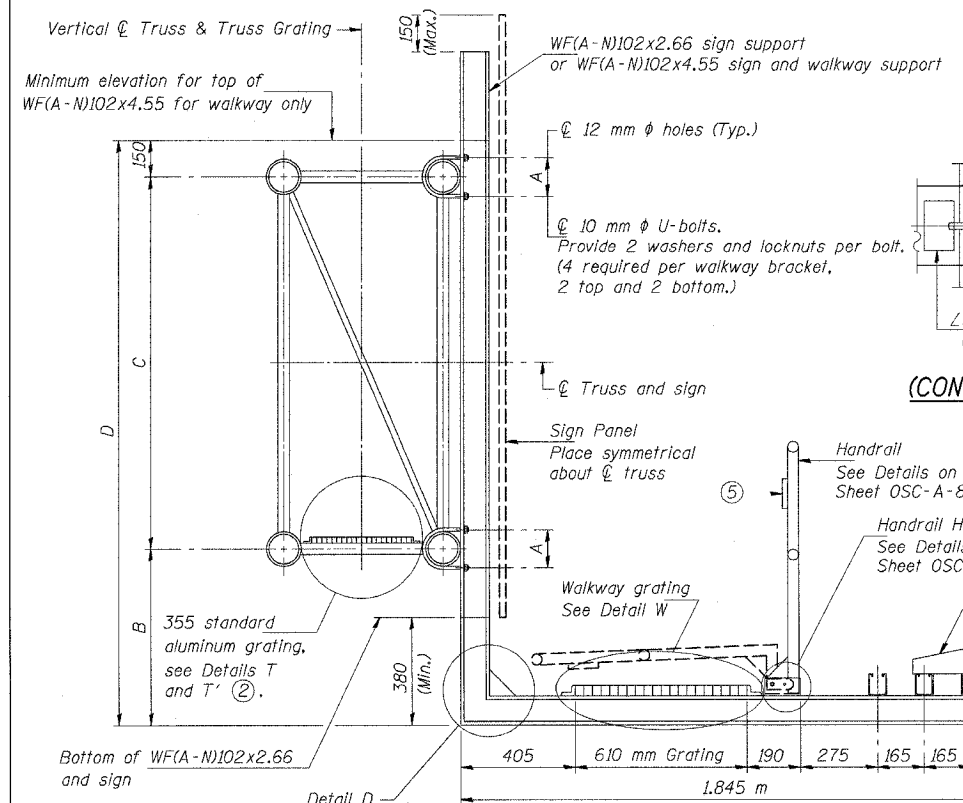
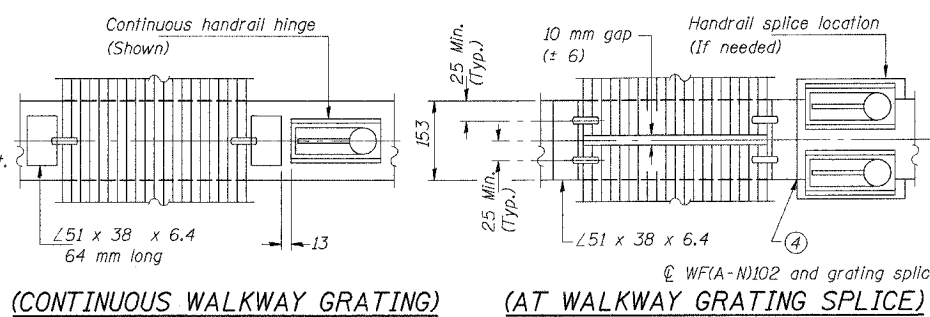


F.A.I. RTE.	SECTION	COUNTY	TOTAL SHEETS	SHEET NO.
80/94		COOK	870	341
STA.		TO STA.		
FED. ROAD DIST. NO. 1		ILLINOIS	FED. AID PROJECT	
• (0203.1 & 0312-708W) R-3 CONTRACT # 62108				



SECTION B-B



(CONTINUOUS WALKWAY GRATING) (AT WALKWAY GRATING SPLICE)
SECTION W-W

SPECIFICATIONS FOR STANDARD ALUMINUM GRATING

Main Bearing Bars (MBB) shall be 5 mm x 38 mm on 30 mm centers and conform to ASTM B211 Alloy 6061-T6.

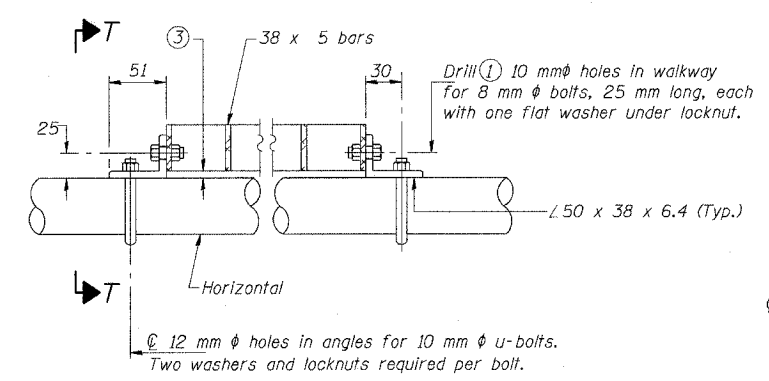
Cross bars (CB) shall be 5 mm x 38 mm on 102 mm centers and conform to ASTM B221 Alloy 6063-T5 or 6061-T6.

OR

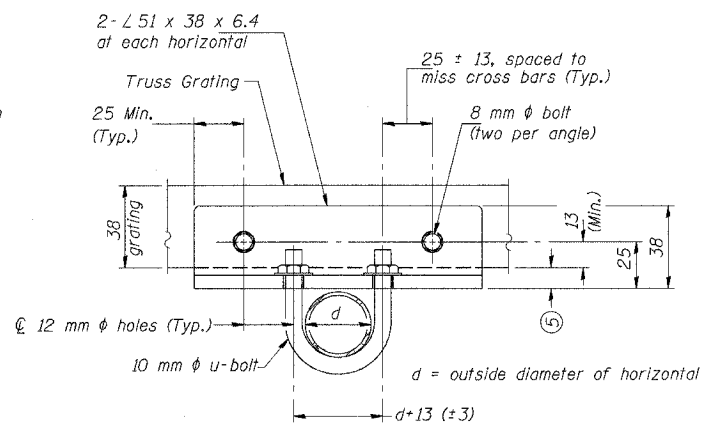
Aluminum Grating with modified "T" sections for main bearing bars shall meet the following requirements:

Main bars shall conform to ASTM B221 Alloy 6061-T6 and have a minimum section modulus equal to $1.16 \times 10^3 \text{ mm}^3$ per bar, a depth of 38 mm, spaced on 30 mm centers.

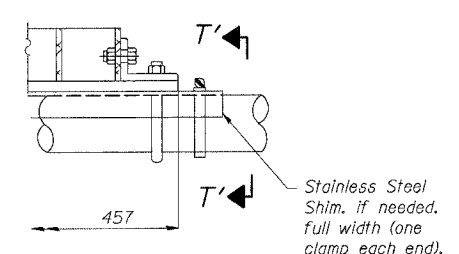
Cross bars shall conform to ASTM B221 Alloy 6063-T5 or T-42 and spaced on 100 mm centers.



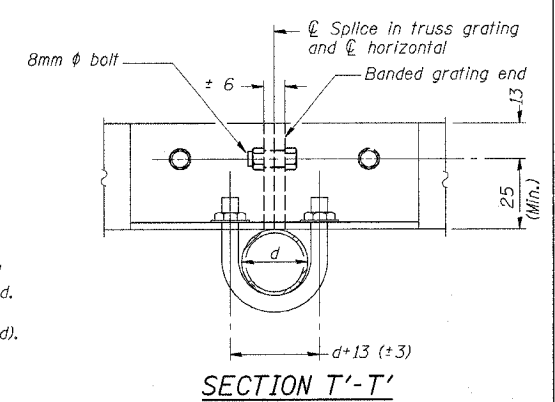
DETAIL T
(Truss grating at horizontal)



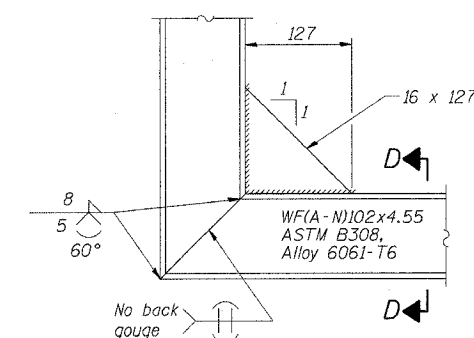
SECTION T-T



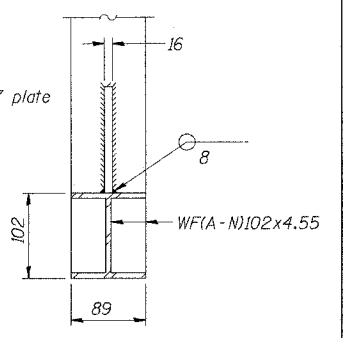
DETAIL T'
(Truss grating splice)
Details not shown same as Detail T.
Alternate materials may be used subject to the Engineer's review and approval.



SECTION T'-T'



DETAIL D



SECTION D-D

NUMBER	REVISION	DATE

- Drilling holes in grating may be done in shop or field, based on Contractor's preference and subject to accurate alignment.
- When truss grating must be spliced, use suggested detail or other methods subject to the Engineer's review and approval. Locate splice to avoid interference between cross bars and bolt locations.
- If Handrail Joint present, weld angle to WF(A-N)102 and 6 mm extension bars. (See Base Sheet OSC-A-8(M).)
- 3 mm x 13 mm x 50 mm welded to handrail posts to protect locations that contact grating.
- Tube to grating gap may vary from 0 to 13mm (Max.) to align walkway, allow for camber, etc. Continuous Truss Grating

Structure Number	Station	A	B	C	D
1C0161094L074.2	30+786	178	0.807	1.68	2.637
1C0161094R074.3	20+935	178	1.612	1.68	3.442

**CANTILEVER SIGN STRUCTURES
WALKWAY DETAILS
ALUMINUM TRUSS & STEEL POST**

REVISIONS		ILLINOIS DEPARTMENT OF TRANSPORTATION F.A.I. ROUTE 80/94 (INTERSTATE 80/294) OVERHEAD SIGN STRUCTURES I-94 WB & I-94 EB COOK COUNTY SECTION (0203.1 & 0312.708W) R-3
NAME	DATE	

DESIGNED BY _____ DRAWN BY _____
DATE: March 1, 2005 CHECKED BY _____

McDonough Associates Inc.
Engineers / Architects