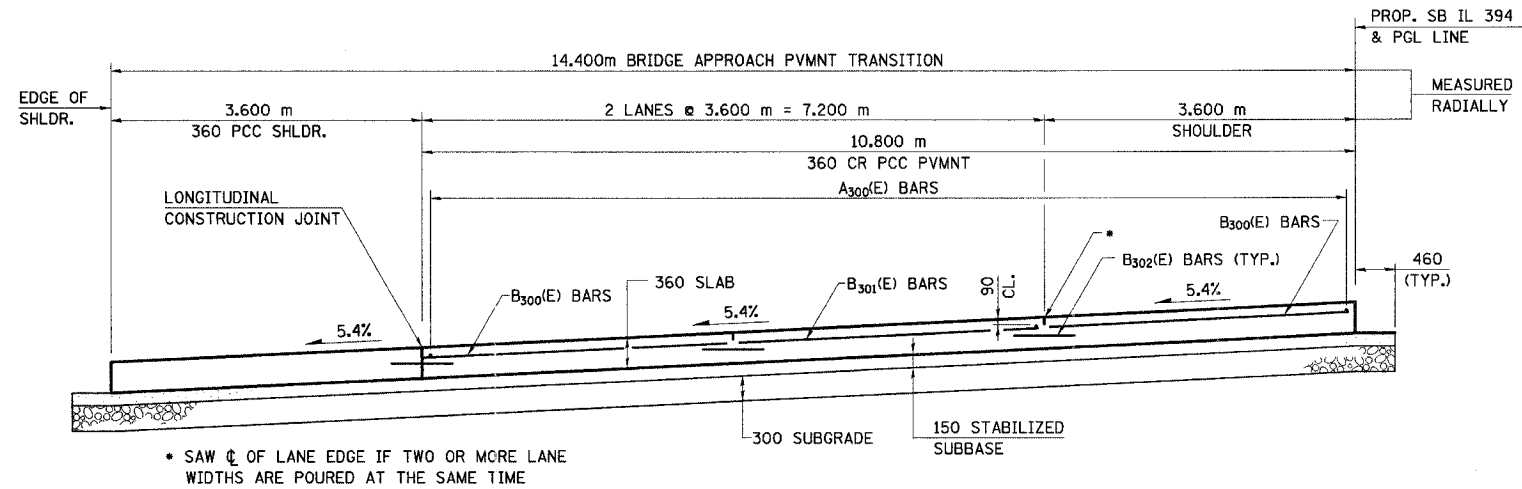
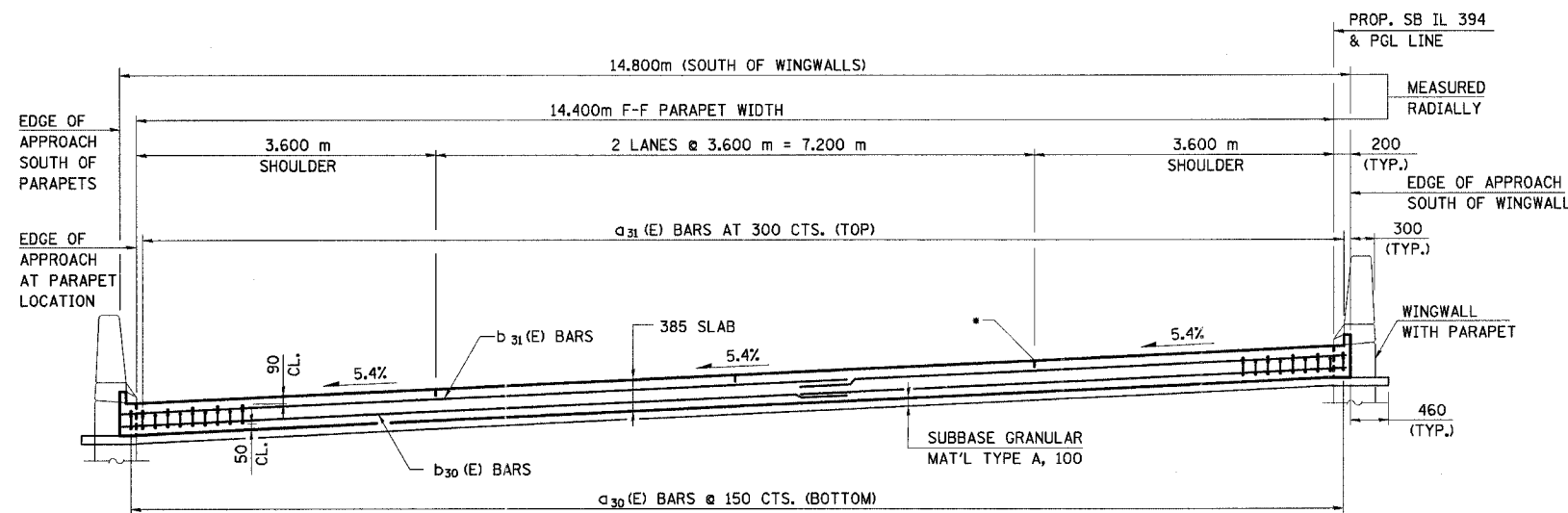


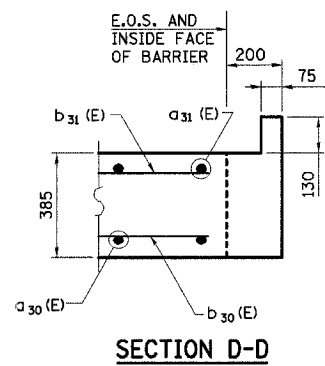
FBI RTE	SECTION	COUNTY	TOTAL SHEETS	SHEET NO.
80/94		COOK	870	473
STA.		TO STA.		
FED ROAD DIST. NO.		ILLINOIS FED. AID PROJECT		



**SECTION A-A**



**SECTION B-B**



**SECTION D-D**

**NOTES:**

WORK THIS SHEET WITH SHEET NO. 472 OF 870

ILLINOIS DEPARTMENT OF TRANSPORTATION  
 I-94 EAST BOUND / IL 394 SOUTH BOUND  
**BRIDGE APPROACH PAVEMENT (SPECIAL)  
 & PAVEMENT TRANSITION**  
 NB IL RTE 394 OVER INTERSTATE 80  
 STRUCTURE NO. 2796  
 SOUTH APPROACH - 2 OF 2

HORIZ SCALE:  
 VERT SCALE:  
 DATE: JUL 18, 2005

DRAWN BY: LK  
 CHECKED BY: PY

REVISIONS	
NAME	DATE

**HNTB**