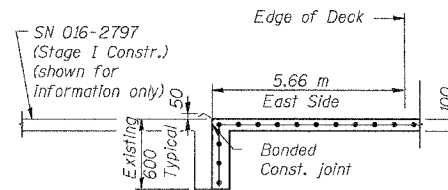
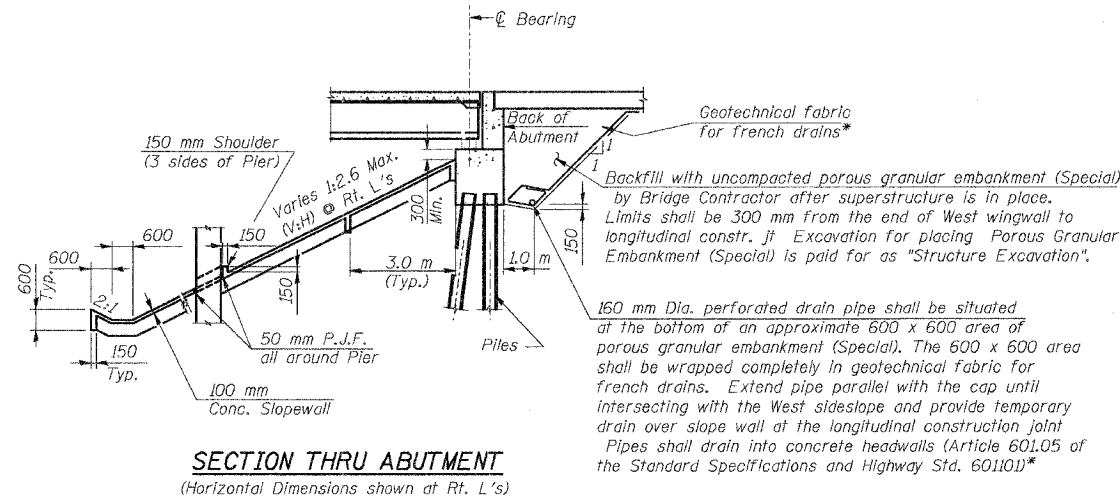


STATE OF ILLINOIS
DEPARTMENT OF TRANSPORTATION

ROUTE NO.	SECTION	COUNTY	TOTAL SHEETS	SHEET NO.	SHEET NO. 2
F.A.P. 80/94		COOK	870	475	37 SHEETS
FED. ROAD DIST. NO. 1		ILLINOIS	FED. AID PROJECT-		
SECTION (0203.1 & 0312-708W) R-3		CONTRACT # 62108			

GENERAL NOTES

- All dimensions are in millimeters (mm) except as noted.
- Reinforcement bars shall conform to the requirements of AASHTO M 31M or M 322M Grade 400.
- Slope wall shall be reinforced with welded wire fabric, 152 x 152 - MW25.8 x MW25.8, with a mass of 2.91 kg/m².
- The embankment configuration shown shall be the minimum embankment that must be constructed prior to construction of the abutments.
- The contractor shall drive one steel test pile in a permanent location at East end of each abutment & pier as shown on the plans or as directed by the Engineer before ordering the remainder of piles.
- Bridge Seat Sealer shall be applied to the seat area of the north and south abutments.
- All construction joints shall be bonded.
- All new structural steel shall be shop painted with an inorganic zinc rich primer per AASHTO M 300, Type1
- Stage I construction refer to N.B. IL 394 reconstruction contract. Stage II construction refer to S.B. IL 394 reconstruction contract.
- The existing structural steel coating contains lead. The Contractor shall take appropriate precautions to deal with the presence of lead on this project.



STATION 39+752.246
BUILT 200_ BY
STATE OF ILLINOIS
F.A.P. RT. 332
SEC. (0203.1 & 0312-708W)
LOADING MS-18 & ALT.
STR. NO. 016-2798

**** NAME PLATE**
See Std. 515001

** Name Plate Detail is provided for information only.

TOTAL BILL OF MATERIAL

ITEM	UNIT	SUPER	SUB	TOTAL
Porous Granular Embankment (Special)	Cu m	-	165.0	165.0
Removal of Existing Structures No. 2	Each	1	-	1
Structure Excavation	Cu m	-	948	948
Neoprene Expansion Joint 65mm	Meter	14	-	14
Floor Drains	Each	4	-	4
Elastomeric Bearing Assembly, Type I	Each	24	-	24
Elastomeric Bearing Assembly, Type II	Each	8	-	8
Bridge Joint System (Expansion), 25mm	Meter	15.4	-	15.4
Concrete Structures	Cu m	-	397.3	397.3
Concrete Superstructure	Cu m	267.9	-	267.9
Bridge Deck Grooving	Sq m	960	-	960
Protective Coat	Sq m	1085	-	1085
Furnishing and Erecting Precast Prestressed Concrete I-Beams, 1219mm	Meter	587	-	587
Furnishing and Erecting Structural Steel	KG	600	-	600
Reinforcement Bars, Epoxy Coated	KG	37280	30480	67760
Slopewall 100 mm	Sq m	-	1206	1206
Furnishing Steel Piles HP310X79	Meter	-	2542	2542
Driving Steel Piles	Meter	-	2542	2542
Test Pile Steel HP310X79	Each	-	4	4
Temporary Sheet Piling	Sq m	-	451	451
Temporary Sheet Piling Removal	Sq m	-	185	185
Drainage Scuppers, DS-33	Each	1	-	1
Bar Splicers	Each	89	-	89
Bridge Seal Sealer	Sq m	-	33	33
Controlled Low-Strength Material	Cu m	-	14.6	14.6
Protective Shield	Sq m	241	-	241

INDEX OF SHEETS

SHEET NO.	TITLE
1	General Plan & Elevation
2	General Notes, Quantities & Details
3	Construction Staging
4	Footing Layout & Offset Sketch
5	Top of Slab Elevation Grid & Details
6	Top of Slab Elevations 1 of 3
7	Top of Slab Elevations 2 of 3
8	Top of Slab Elevations 3 of 3
9	Deck Plan
10	Deck Cross Section
11	Diaphragm Details 1 of 2
12	Diaphragm Details 2 of 2
13	Deck and Parapet Details
14	Neoprene Expansion Joints
15	Bridge Joint System - Expansion 1 of 2
16	Bridge Joint System - Expansion 2 of 2
17	Drainage Scupper
18	Framing Plan
19	Beam Details 1 of 3
20	Beam Details 2 of 3
21	Beam Details 3 of 3
22	Elastomeric Expansion Bearings
23	Anchor Bolt Details
24	South Abutment Plan & Elevation
25	South Abutment Details
26	North Abutment Plan & Elevation
27	North Abutment Details
28	Pier 1 (Expansion Pier)
29	Pier 2 (Fixed Pier)
30	Pier Details
31	Bar Splicer Details
32	Temporary Sheet Piling at Pier 1 & Pier 2
33	Boring Logs 1 of 5
34	Boring Logs 2 of 5
35	Boring Logs 3 of 5
36	Boring Logs 4 of 5
37	Boring Logs 5 of 5

DESIGNED	M.R./ H.T.
CHECKED	H.T.
DRAWN	J.B./ J.S.
CHECKED	H.T./ M.R.

ILLINOIS DEPARTMENT OF TRANSPORTATION
I-94/IL 394 SOUTH BOUND
GENERAL NOTES, QUANTITIES & DETAILS
SB IL. ROUTE 394 OVER CANADIAN NATIONAL RR
F.A.P. 332 SECTION (0203.1 & 0312-708W) R-3
COOK COUNTY
STA. 39+752.246 S.N. 016-2798 (INSIDE LANES)
DATE: July 18, 2005
SCALE: NONE
Soodan
Soodan & Associates, Inc.
100 North LaSalle Street, Suite 1800
Chicago, Illinois 60602