

STATE OF ILLINOIS
DEPARTMENT OF TRANSPORTATION

ROUTE NO.	SECTION	COUNTY	TOTAL SHEETS	SHEET NO.	SHEET NO. 30
F. A. I.		COOK	870	544	91 SHEETS
80/94					
FED. ROAD DIST. NO. 1 ILLINOIS FED. AID PROJECT			CONTRACT NO. 62108		
0203.1 & 0312-T08W R-3					

BILL OF MATERIAL UNIT 1

Bar	No.	Size	Length (m)	Shape
a100(E)	170	#15	14.440	—
a101(E)	314	#15	14.100	—
a102(E)	426	#15	13.400	—
a103(E)	426	#15	12.600	—
a104(E)	480	#15	8.100	—
a105(E)	483	#15	7.710	—
a106(E)	38	#15	14.390	—
a107(E)	37	#15	15.040	—
a108(E)	17	#15	10.900	—
a109(E)	18	#15	11.530	—
a110(E)	537	#15	9.800	—
a111(E)	465	#15	9.110	—
a112(E)	465	#15	8.580	—
a113(E)	234	#15	11.770	—
a114(E)	236	#15	11.190	—
a115(E)	56	#15	7.890	—
a116(E)	21	#15	10.730	—
a117(E)	20	#15	11.390	—
a118(E)	13	#15	10.260	—
a119(E)	12	#15	10.900	—
a120(E)	10	#15	10.940	—
a121(E)	1044	#15	1.400	—
a122(E)	10	#15	1.000	—
a123(E)	16	#15	0.600	—
a124(E)	8	#15	0.450	—
b100(E)	1589	#15	8.600	—
b101(E)	720	#20	9.700	—
b102(E)	1580	#15	8.180	—
d100(E)	2228	#15	0.910	┌
d101(E)	599	#15	0.730	└
d102(E)	524	#15	1.230	┌
d103(E)	515	#15	1.270	└
d104(E)	515	#15	0.760	┌
d105(E)	75	#15	0.780	└
d106(E)	20	#15	1.500	┌
e100(E)	36	#15	5.630	—
e101(E)	96	#15	4.400	—
e102(E)	78	#15	5.560	—
e103(E)	78	#15	5.410	—
e104(E)	42	#15	5.150	—
e105(E)	24	#25	9.560	—
e106(E)	16	#25	8.920	—
e107(E)	16	#25	10.870	—
e108(E)	8	#25	10.160	—
e109(E)	54	#15	7.360	—
e110(E)	16	#15	8.920	—
e111(E)	10	#15	7.850	—
e112(E)	12	#15	5.200	—
e113(E)	6	#15	4.680	—
e114(E)	3	#15	4.740	—
e115(E)	3	#15	4.800	—
e116(E)	2	#25	10.490	—
e117(E)	4	#25	5.570	—
e118(E)	8	#15	5.570	—
e119(E)	8	#15	3.000	—
e120(E)	8	#15	5.570	—
e121(E)	8	#15	3.000	—
e122(E)	8	#15	1.080	—
x100(E)	168	#15	1.280	┌
ITEM	UNIT	QUANTITY		
Reinforcement Bars, Epoxy Coated	kg	148,350		
Concrete Superstructure	m ³	804.6		
Bridge Deck Grooving	m ²	3273		
Protective Coat	m ²	3,708		

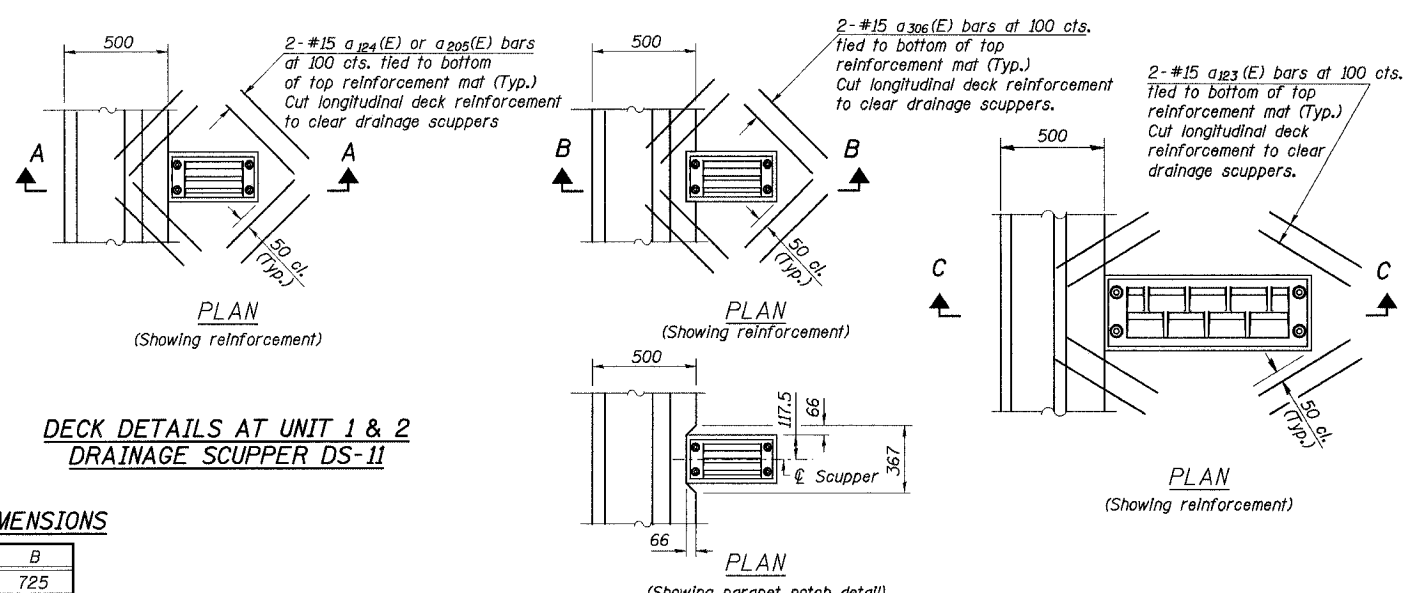
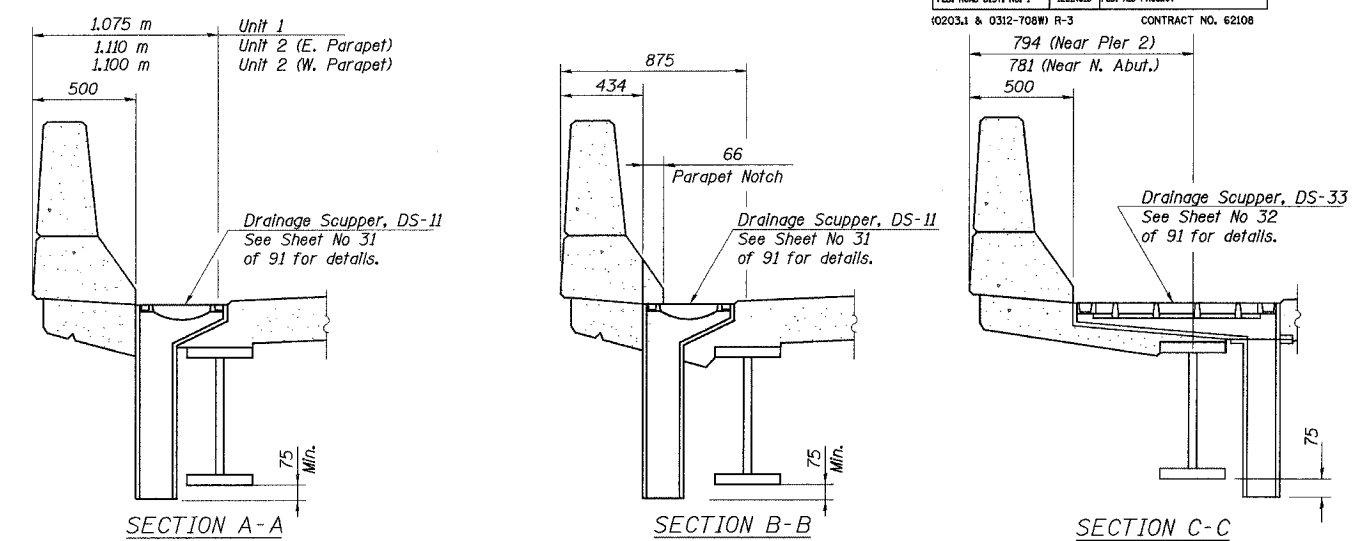
DESIGNED	JY/TRL
CHECKED	ML/MAS
DRAWN	LK
CHECKED	ML/MAS

BILL OF MATERIAL UNIT 2

Bar	No.	Size	Length (m)	Shape
a200(E)	1013	#15	8.220	—
a201(E)	373	#15	9.000	—
a202(E)	505	#20	1.400	—
a203(E)	374	#15	7.300	—
a204(E)	4	#15	8.750	—
a205(E)	64	#15	0.450	—
b200(E)	560	#15	7.910	—
b201(E)	159	#20	8.060	—
b202(E)	459	#15	8.720	—
d200(E)	1032	#15	0.910	┌
d201(E)	516	#15	0.730	└
d202(E)	248	#15	1.250	┌
d203(E)	268	#15	1.240	└
e200(E)	60	#15	5.680	—
e201(E)	32	#15	6.010	—
e202(E)	66	#15	5.280	—
e203(E)	8	#25	6.010	—
e204(E)	34	#15	7.690	—
e205(E)	34	#25	8.200	—
x200(E)	112	#15	1.280	┌
ITEM	UNIT	QUANTITY		
Reinforcement Bars, Epoxy Coated	kg	47,030		
Concrete for Bridges and Drainage Structures (Class DK-HPC)	m ³	126.4		
Concrete for Bridges and Drainage Structures (Class SD)	m ³	32.9		
Bridge Deck Grooving	m ²	1014		
Apply Concrete Sealant	m ²	1235		

BILL OF MATERIAL UNIT 3

Bar	No.	Size	Length (m)	Shape
a300(E)	269	#15	10.520	—
a301(E)	215	#15	10.400	—
a302(E)	277	#20	1.400	—
a303(E)	7	#15	10.160	—
a304(E)	6	#15	10.720	—
a305(E)	2	#15	10.600	—
a306(E)	16	#15	0.450	—
b300(E)	273	#15	8.310	—
b301(E)	72	#20	7.220	—
b302(E)	248	#15	7.330	—
d300(E)	796	#15	0.910	┌
d301(E)	398	#15	0.730	└
d302(E)	197	#15	1.020	┌
d303(E)	201	#15	1.020	└
e300(E)	24	#15	5.310	—
e301(E)	32	#15	4.400	—
e302(E)	24	#15	5.680	—
e303(E)	24	#15	5.420	—
e304(E)	24	#15	5.900	—
e305(E)	16	#25	12.620	—
e306(E)	8	#25	4.400	—
e307(E)	24	#15	8.400	—
x300(E)	78	#15	1.280	┌
ITEM	UNIT	QUANTITY		
Reinforcement Bars, Epoxy Coated	kg	21,470		
Concrete for Bridges and Drainage Structures (Class DK-HPC)	m ³	126.4		
Concrete for Bridges and Drainage Structures (Class SD)	m ³	32.9		
Bridge Deck Grooving	m ²	494		
Apply Concrete Sealant	m ²	664		



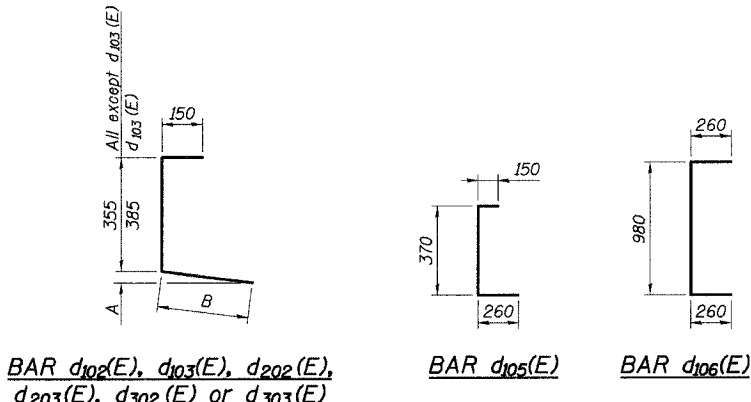
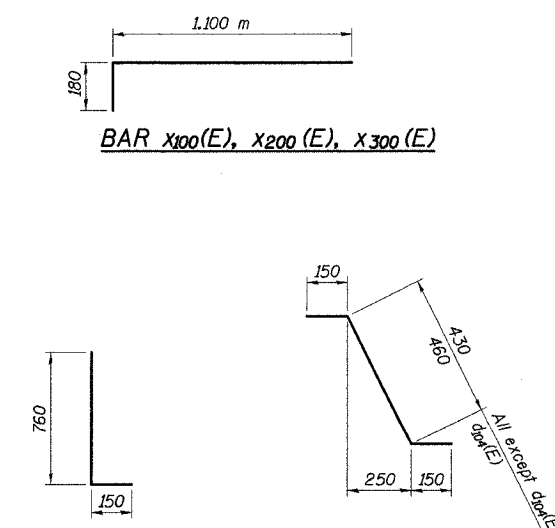
DECK DETAILS AT UNIT 1 & 2
DRAINAGE SCUPPER DS-II

DECK DETAILS AT UNIT 3
DRAINAGE SCUPPER DS-II

DECK DETAILS AT UNIT 1
DRAINAGE SCUPPER DS-33

TABLE OF DIMENSIONS

Rebar	A	B
d102(E)	100	725
d103(E)	130	735
d202(E)	115	745
d203(E)	85	735
d302(E)	110	545
d303(E)	90	535



- Notes:
1. Work this sheet with Sheet Nos. 17- 29 of 91 sheets.
 2. All dimensions are in millimeters (mm) except as noted.

ILLINOIS DEPARTMENT OF TRANSPORTATION
I-94 EAST BOUND / IL 394 SOUTH BOUND
DECK DETAILS & BILL OF MATERIALS

SB IL ROUTE 394 / RAMP F OVER THORN CREEK
F.A.P. 332 SECTION (0203.1 & 0312-T08W) R-3
COOK COUNTY
STA. 440+704.350 STRUCTURE NO. 016-2800/2845
DATE JUL 18, 2005
SCALE ---

HNTB

JBeuchamp
E:\34562\CAD\B1\SN_2800\code\CTR_19_2800\ml\91024e_2800.dgn
08-JUL-2005 13:47