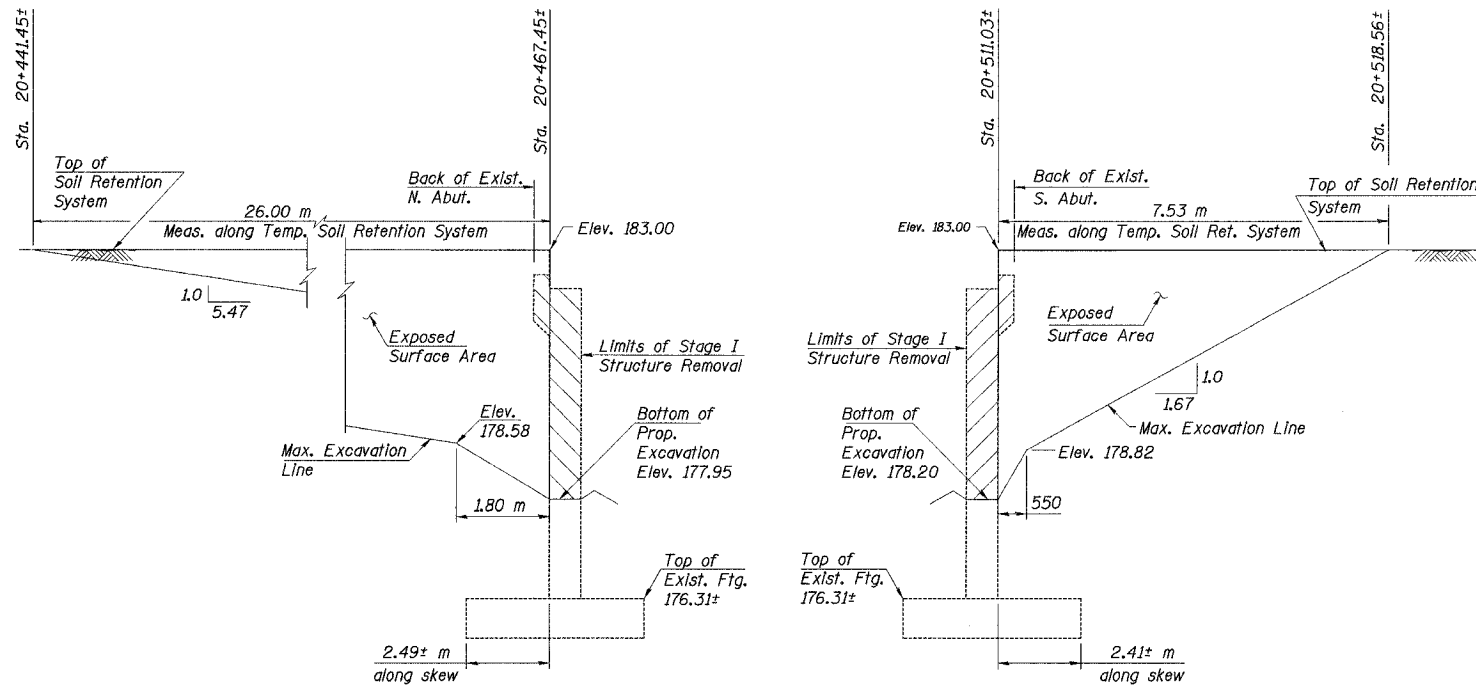


STATE OF ILLINOIS
DEPARTMENT OF TRANSPORTATION

ROUTE NO.	SECTION	COUNTY	TOTAL SHEETS	SHEET NO.	SHEET NO. 5 56 SHEETS
F. A. I. 80/94	*	COOK	870	615	
FED. ROAD DIST. NO. 1	ILLINOIS	FED. AID PROJECT-			

(0203.1 & 0312-708W-R-3) CONTRACT NO. 62108



TEMPORARY SOIL RETENTION SYSTEM

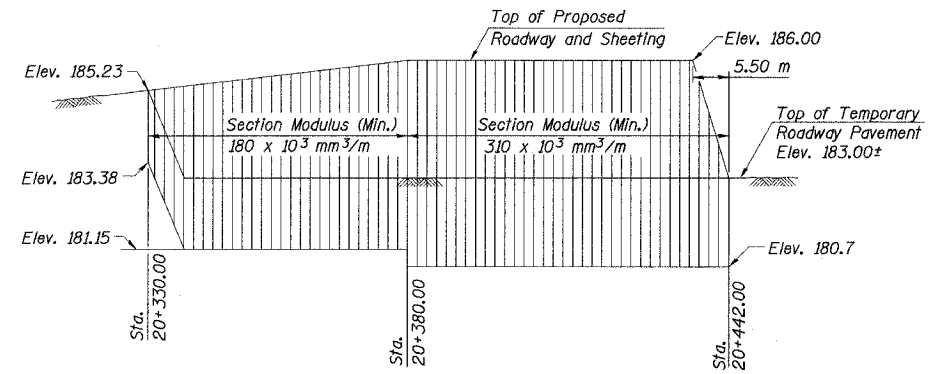
(At North Abutment of Existing SN 016-0164)
Qty.=62.0 Sq m

TEMPORARY SOIL RETENTION SYSTEM

(At South Abutment of Existing SN 016-0164)
Qty.=17.0 Sq m

TEMPORARY SOIL RETENTION NOTES:

- A cantilever sheet piling design does not appear feasible and additional members or other retention systems may be necessary. The Contractor shall submit a temporary soil retention system design including plan details and calculations stamped and signed by an Illinois Licensed Structural Engineer for review and acceptance by the Engineer.
- The Contractor may connect the system to the existing abutment wall to ensure stability of the system that rests on the top of the existing footing. This connection shall be reviewed and accepted by the Engineer and included in the cost for the Temporary Soil Retention System.

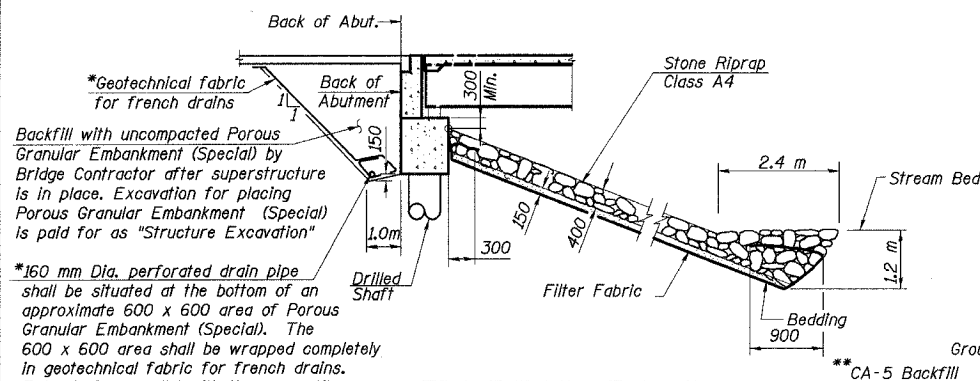


TEMPORARY SHEET PILING

(N.T.S.)
Qty.=544.0 Sq m

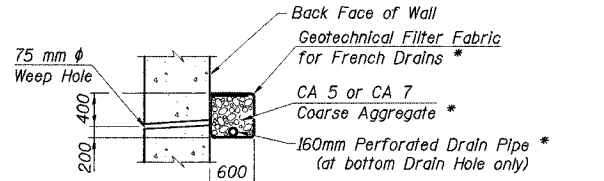
TEMPORARY SHEET PILING NOTES:

- If the Contractor chooses to alter the temporary cantilevered sheet piling design requirements shown on the plans, then full design submittals with the required seals will be required by the Engineer, for review and approval.
- Steel Sheet Piling Yield Stress $f_y = 265 \text{ MPa}$

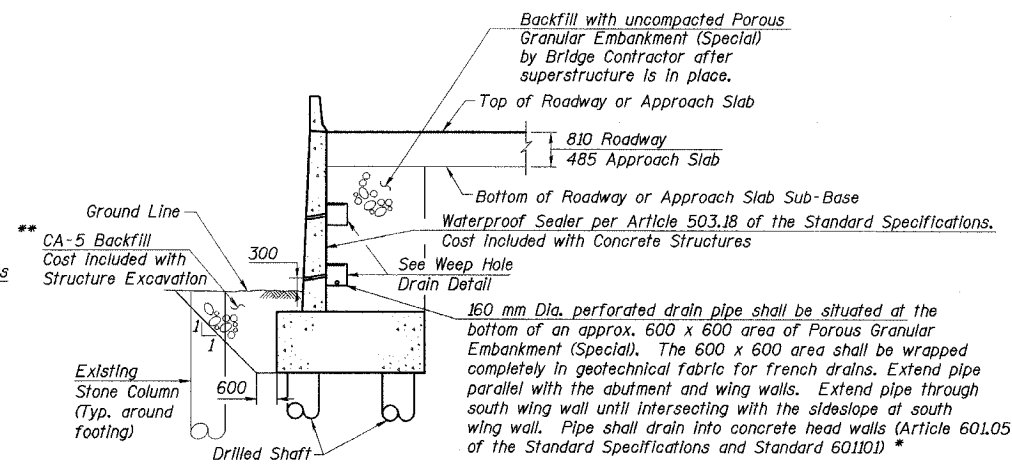


SECTION THRU WEST ABUTMENT

(Dimensions shown at Rt. L's)



WEEP HOLE DRAIN DETAIL



SECTION THRU SOUTH WING WALL

DESIGNED	KGN/JJK
CHECKED	JJK/PCA
DRAWN	LK
CHECKED	PCA

* Cost Included with "Porous Granular Embankment (Special)"
** Excavation for placing CA-5 Backfill and Porous Granular Embankment (Special) is paid for as "Structure Excavation"

SECTION THRU EAST ABUTMENT

ILLINOIS DEPARTMENT OF TRANSPORTATION
I-94 EAST BOUND / IL 394 SOUTH BOUND
TEMPORARY SUPPORT SYSTEMS & BACKFILL DETAILS
EB I-94 OVER THORN CREEK
F.A.I. 94 SECTION (0203.1 & 0312-708W) R-3
COOK COUNTY
STA. 20+509.000 STRUCTURE NO. 016-2807
DATE JUL 18, 2005
SCALE ---

HNTB

L:Kaito JA:34562,CA:001,SN:2807,cds,CTR:19,2807,ms:190014, 2807.dgn 18-AUG-2005 13:17