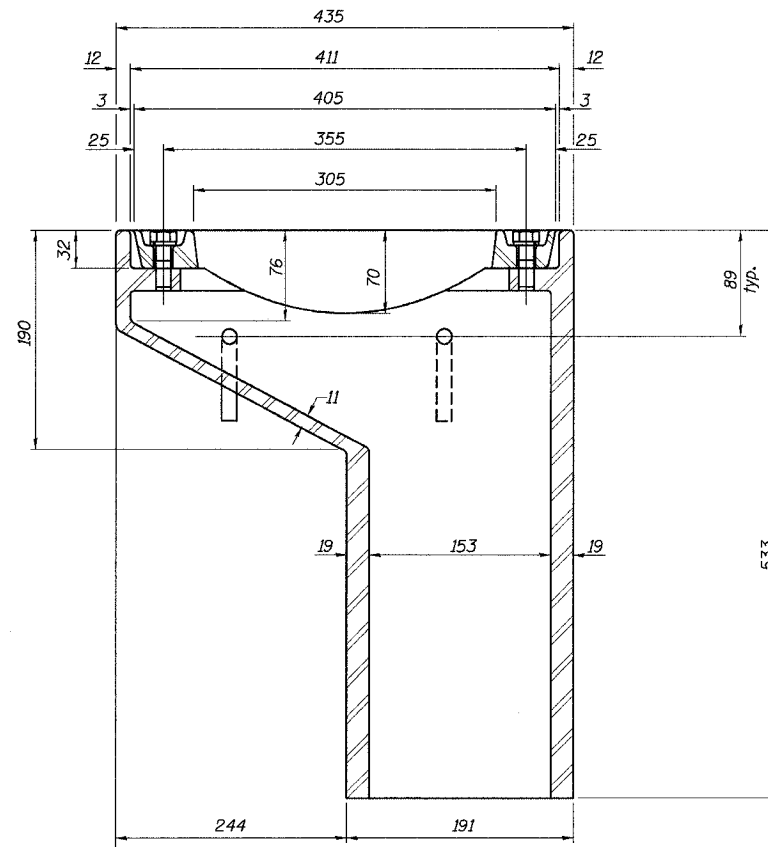
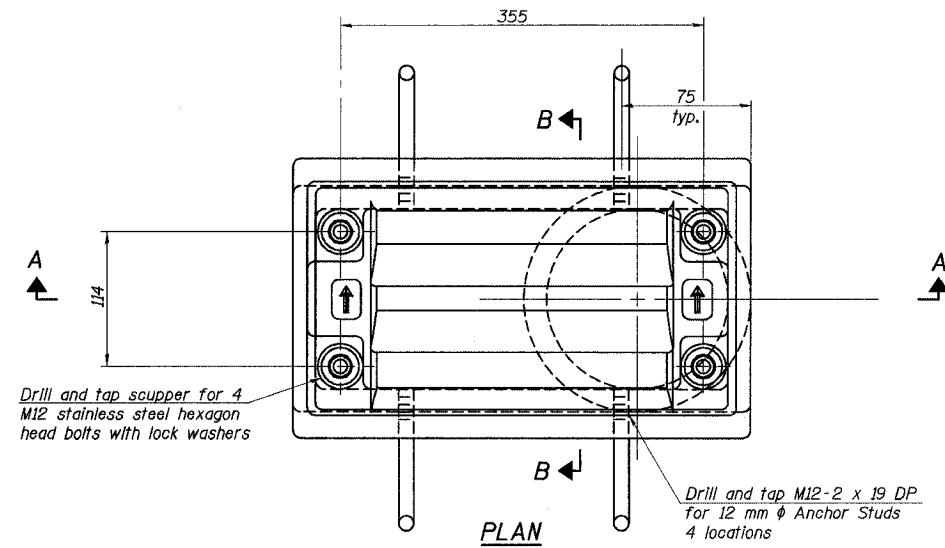
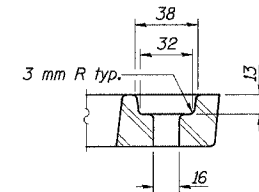


STATE OF ILLINOIS
DEPARTMENT OF TRANSPORTATION

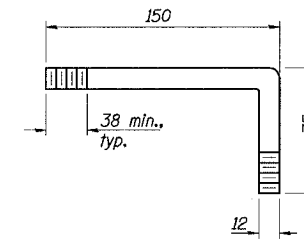
ROUTE NO.	SECTION	COUNTY	TOTAL SHEETS	SHEET NO.	SHEET NO. 19
F. A. I. 80/94	*	COOK	870	629	56 SHEETS
FED. ROAD DIST. NO. 1		ILLINOIS	FED. AID PROJECT-		
0203.1 & 0312-708WR-3		CONTRACT NO. 62108			



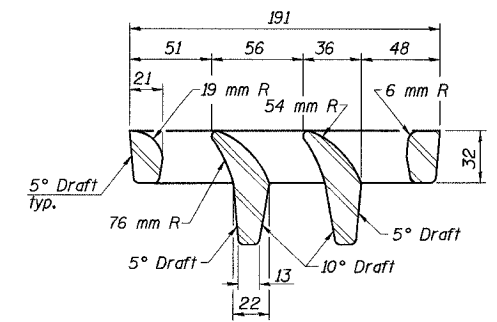
See Sheet 16 of 56 for scupper location relative to parapet.



BOLT HOLE DETAIL



ANCHOR STUD DETAIL



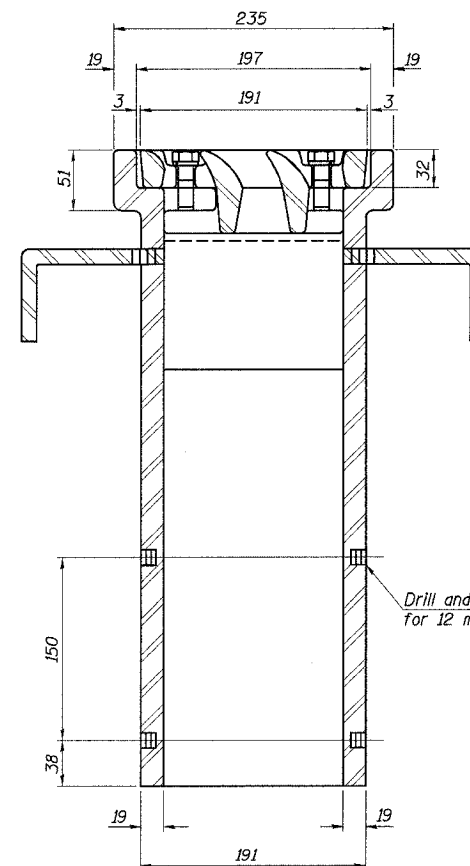
VANE GRATE DETAIL

Notes:

- All cast iron parts shall be gray iron conforming to the requirements of AASHTO M 105, Class 35B.
- Bolts, anchor studs, washers and nuts shall conform to the requirements of ASTM A 307 and shall be galvanized according to AASHTO M 232M.
- The grate, frame and downspout shall be galvanized according to AASHTO M 111 and ASTM A 385. Downspouts located on the exterior side of a painted steel fascia beam shall be painted with the finish coat specified for the exterior side of the fascia beam.
- As an alternate, bolts, anchor studs, washers and nuts may be stainless steel according to Article 1006.29(d) of the Standard Specifications.
- Structural steel weldments of equal sections and of the same configuration may be substituted for cast iron. Fillet or full penetration welds shall be used for the weldments. Details shall be submitted to the Engineer for approval.
- The Contractor shall take appropriate measures to assure that Protective Coat is not applied to the scupper.
- Cost of the Grate, Frame, Downspout, Anchor Studs, Bolts, Washers and Nuts including complete installation of the scupper shall be paid for at the contract unit price each for Drainage Scupper, DS-11.
- All dimensions are in millimeters (mm) except as noted.

BILL OF MATERIAL

ITEM	UNIT	QUANTITY
Drainage Scupper, DS-11	Each	5



SECTION B-B

I:\Research\Projects\I-94\SN_2807\cadd\CTR_19_2807\sd\190614_2807.dgn
 08-JUL-2005 14:17

DESIGNED	---
CHECKED	---
DRAWN	LK
CHECKED	JJK

ILLINOIS DEPARTMENT OF TRANSPORTATION
I-94 EAST BOUND / IL 394 SOUTH BOUND
DRAINAGE SCUPPER DS-11
EB I-94 OVER THORN CREEK
F.A.I. 94 SECTION (0203.1 & 0312-708W) R-3
COOK COUNTY
STA. 20+509.000 STRUCTURE NO. 016-2807
DATE JUL 18, 2005
SCALE ---

HNTB