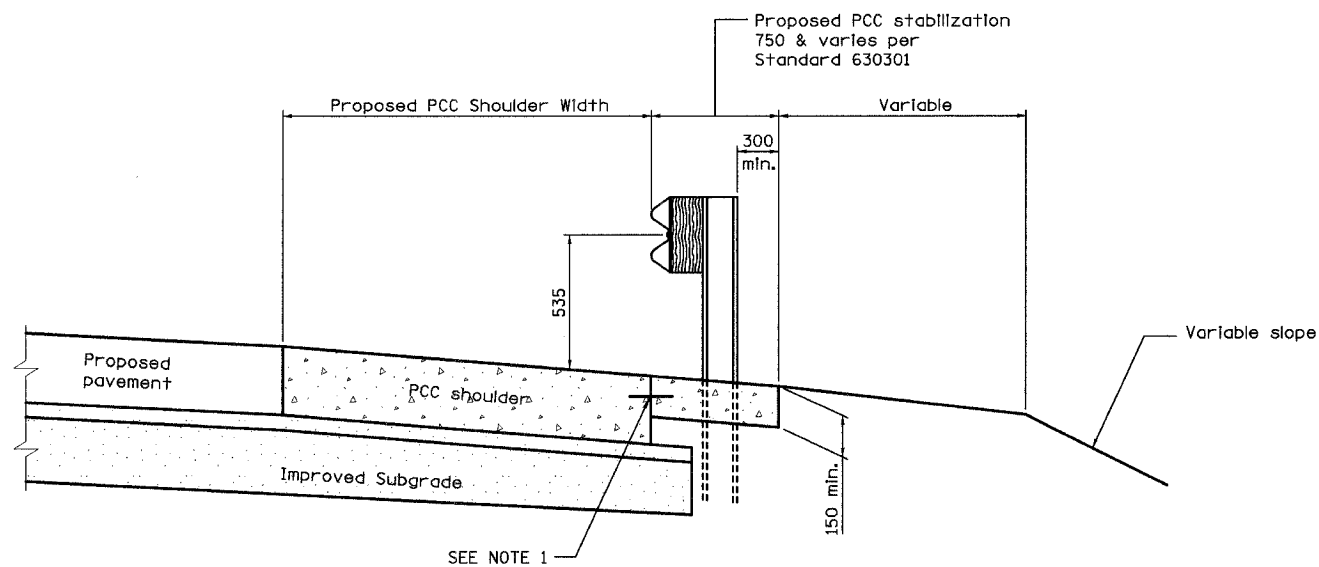


F.A.I. RTE	SECTION	COUNTY	TOTAL SHEETS	SHEET NO.
80/94	•	COOK	870	718
STA.		TO STA.		
FED ROAD DIST. NO.		ILLINOIS	FED. AID PROJECT	



DETAILS FOR STEEL PLATE BEAM
GUARD RAIL ADJACENT SHOULDER

NOTES:

- LONGITUDINAL CONSTRUCTION JOINT WITH NO. 15 EPOXY COATED TIE BARS AT 600 CTS.
- "TIE BARS SHALL BE PAID FOR AS PART OF PORTLAND CEMENT CONCRETE SHOULDERS - 150 MM"
- SEE STANDARD 420001 AND THE DETAIL FOR PCC SHOULDER FOR DETAILS NOT SHOWN.

REVISIONS	
NAME	DATE

ILLINOIS DEPARTMENT OF TRANSPORTATION
I-94 EAST BOUND / IL 394 SOUTH BOUND

GUARDRAIL STABILIZATION
DETAILS

HORIZ SCALE:
VERT SCALE:
DATE: JULY 18, 2005

DRAWN BY: SSH
CHECKED BY: BJM

HNTB