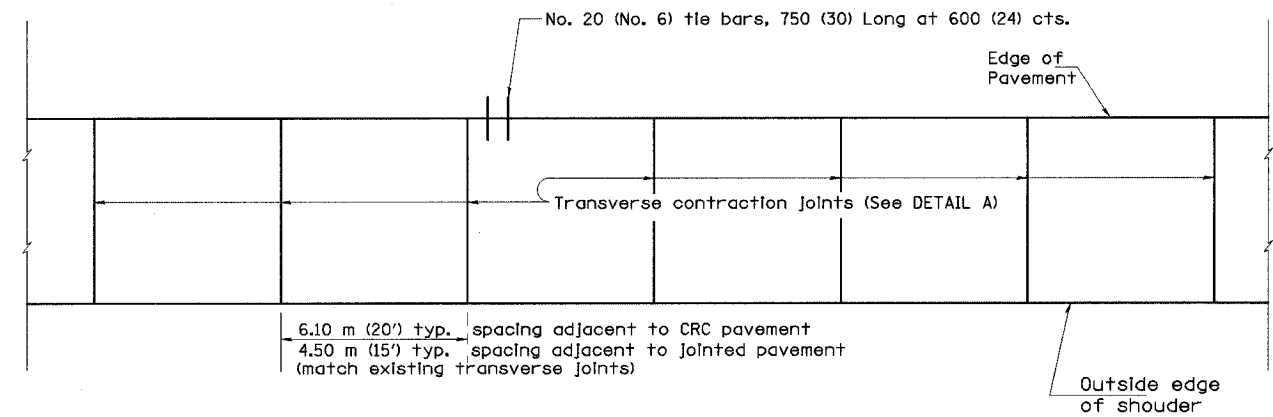
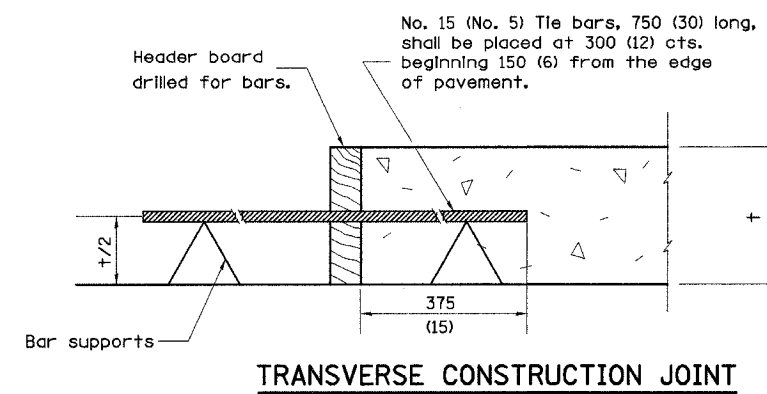


F.A.I. RTE.	SECTION	COUNTY	TOTAL SHEETS	SHEET NO.
80/94	•	COOK	870	721
STA.		TO STA.		
FED. ROAD DIST. NO.	ILLINOIS	FED. AID PROJECT		

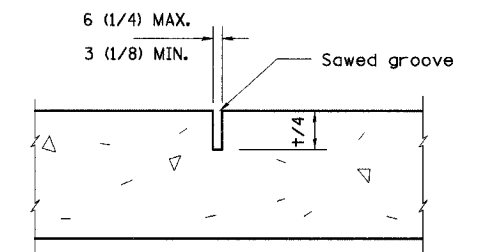
— Longitudinal Construction Joint



PLAN



TRANSVERSE CONSTRUCTION JOINT



**DETAIL A
TRANSVERSE CONTRACTION JOINT**

NOTES

1. Transverse expansion joints shall be as detailed on Standard 420001 except that dowel bars will not be required.
2. See Standard 420001 for details not shown.

All dimensions are in millimeters (inches) unless otherwise shown.

REVISIONS		ILLINOIS DEPARTMENT OF TRANSPORTATION F.A.I. ROUTE 80/94 (KINGERY EXPRESSWAY)
NAME	DATE	
Added bar supports.	4/05	<p align="center">PCC SHOULDER DETAILS</p> <p>SCALE _____ DRAWN BY ACE/CAD DATE 07/04 CHECKED BY _____</p>
		<p align="center">AMERICAN CONSULTING ENGINEERS</p>