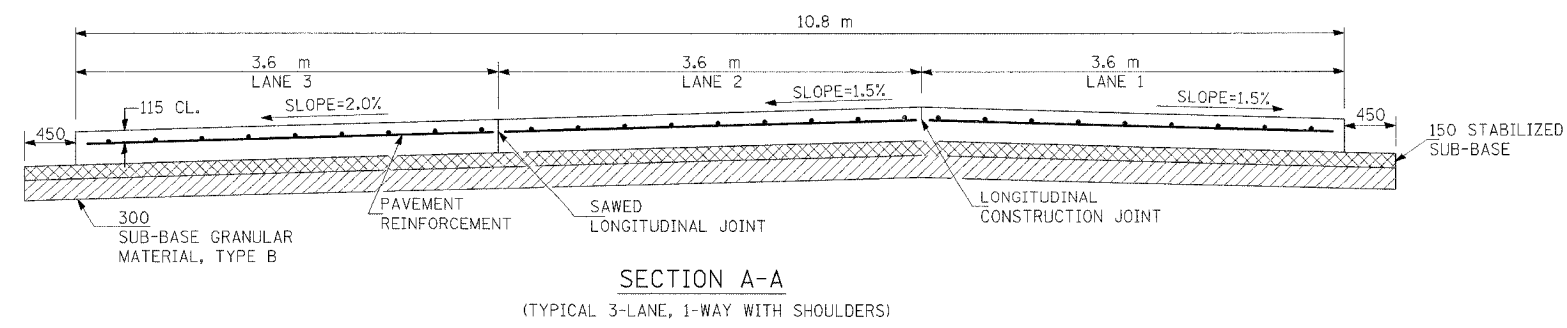
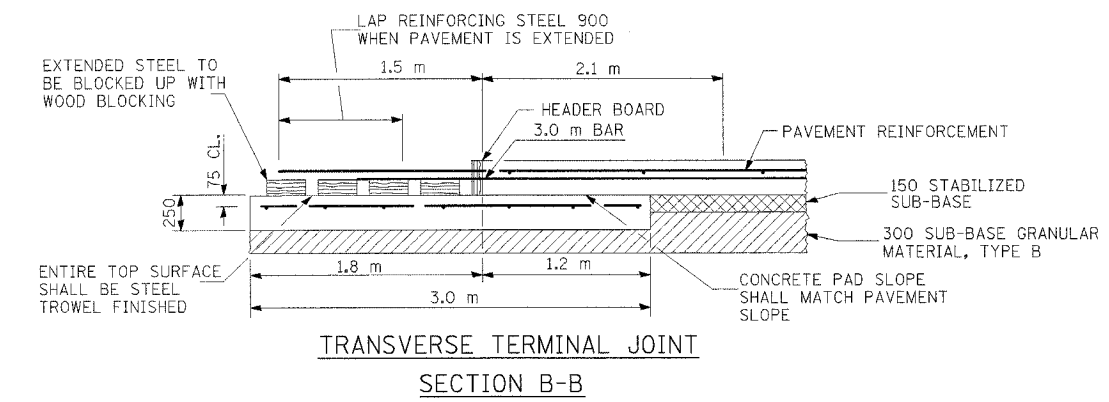
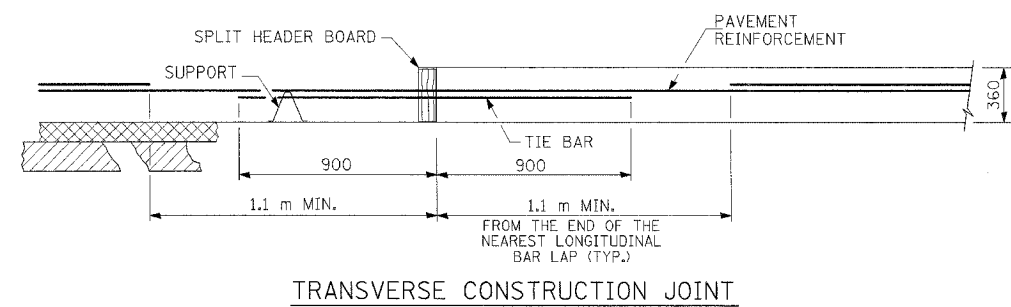
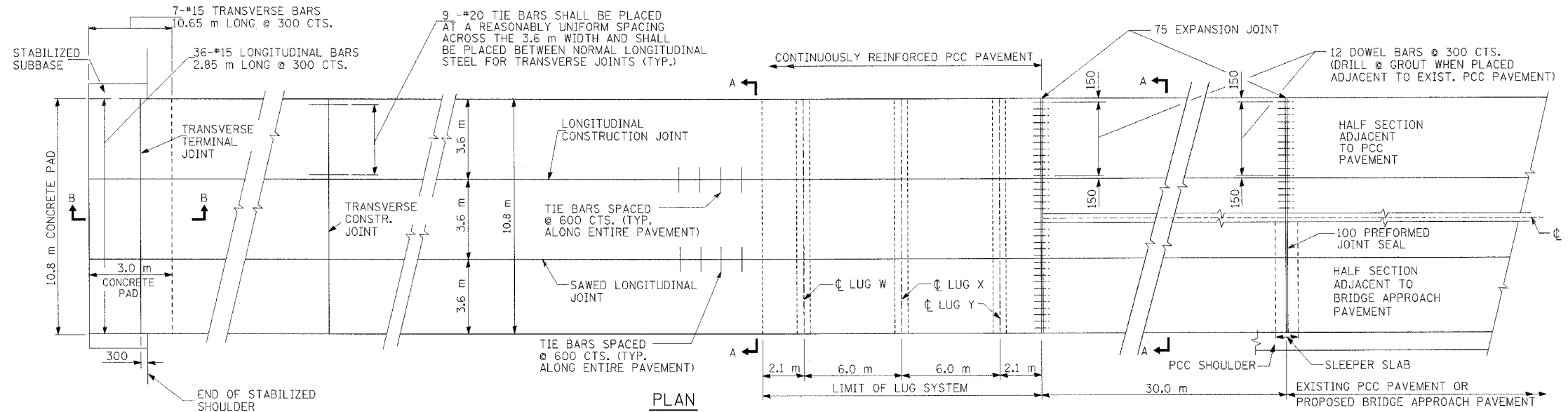


F.A.I. RTE.	SECTION	COUNTY	TOTAL SHEETS	SHEET NO.
80/94	*	COOK	631	86
STA.	TO STA.			
FED. ROAD DIST. NO.	ILLINOIS	FED. AID PROJECT		
* (2425 & 2626) R-2		CONTRACT NO. 62111		



- NOTES:**
- ALL DIMENSIONS ARE IN MILLIMETERS UNLESS OTHERWISE NOTED.
 - THIS SHEET SHALL BE FOLLOWED FOR GENERAL DETAILS ONLY. FOR DIMENSIONS OF LUG SYSTEM COMPLETE - 14.4 METER SEE SHEETS NO. 3 OF 7, 4 OF 7, 6 OF 7 AND 7 OF 7, AND FOR DIMENSIONS OF LUG SYSTEM COMPLETE - 15.0 METER SEE SHEET 2 OF 7, AND FOR DIMENSIONS OF LUG SYSTEM COMPLETE - 21.6 METER SEE SHEET 5 OF 7.

REVISIONS	
NAME	DATE

ILLINOIS DEPARTMENT OF TRANSPORTATION
 F.A.I. ROUTE 80/94 (KINGERY EXPRESSWAY)
 EB & WB INSIDE LANES (MAINLINE) CONSTRUCTION
 COOK COUNTY

**ROADWAY DETAILS
 CRC PAVEMENT W/LUG SYSTEM
 (SHEET 1 OF 9)**

SCALE: DATE: 9/13/05 DRAWN BY: JFS CHECKED BY: GJF

TENG
 TENG & ASSOCIATES, INC.
 ENGINEERS/ARCHITECTS/PLANNERS
 CHICAGO, ILLINOIS

HANSENDD
 9-13-2005, 16:44:35
 F:\DOCUMENT\931501\CON\907002A.DGN
 12 3 4 5 6 7 8 9 10 11 12 13 14 15 16 17 18 19 20 21 22 23 24 25 26 27 28 29 30 31 32 33 34 35 36 37 38 39 40 41 42 43 44 45 46 47 48 49 50 51 52 53 54 55 56 57 58 59 60 61 62 63